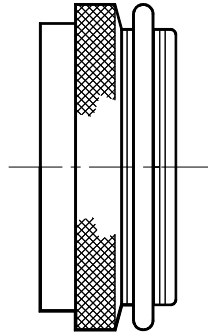


REVISIONS			
LTR	DESCRIPTION	DATE	APPROVED
N/C	INITIAL RELEASE	NOV 00	KJW



PANCAKE TINEL-LOCK ADAPTER

NOTES:

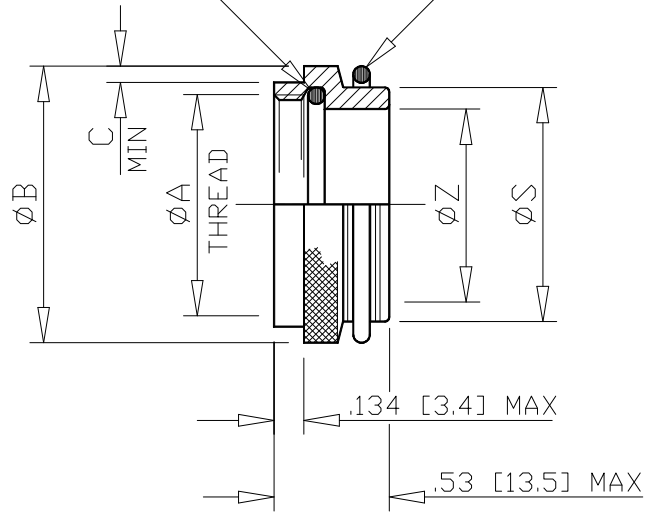
1. THIS PRODUCT IS DESIGNED TO TERMINATE A BRAIDED CABLE SHIELD AND A HEAT SHRINKABLE LIPPED BOOT TO A CONNECTOR.
- ② SEE DRAWING "TR" FOR DETAILS ON TINEL-LOCK RING. RINGS ARE DESIGNED TO BE HEATED ELECTRICALLY. ALL RINGS ARE MARKED WITH THERMOCHROMIC PAINT WHICH CHANGES COLOR WHEN INSTALLATION TEMPERATURE IS REACHED.
3. ADAPTER TO BE PERMANENTLY MARKED WITH CODE IDENT. NO. AND PART NO. LESS RING DESIGNATOR (E.G.: 06090-PNT40AB00-1412). RINGS SHALL BEAR NO MARKING.
- ④ TINEL-LOCK RING IS TO BE SPECIFIED IN PART NUMBER WHEN ORDERING.
- ⑤ ADAPTER MATES TO MIL-C-38999, SERIES III AND IV, CLASS C, F, K AND W, D38999/20, /24, /26, /40, /46 AND /47 CONNECTORS, AND WHEN SO MATED SHALL PROVIDE A WATER-TIGHT SEAL MEETING THE REQUIREMENTS OF MIL-C-85049 PARA 3.5.7.

If this document is printed it becomes uncontrolled.
Check for the latest revision.

SPECIFICATION CONTROL DRAWING

<p>UNLESS OTHERWISE SPECIFIED DIMENSIONS ARE IN INCHES. METRIC DIMENSIONS ARE IN BRACKETS.</p> <p>DECIMALS .XXX ± — [mm] .XX ± — [mm] .X ± — [mm]</p> <p>ANGLES .X ± —</p>	DRAWN IRT	DATE OCT 00	tyco /Electronics		
	CHECKED KJW	DATE OCT 00			
	APPROVED KJW	DATE OCT 00	TITLE TINEL-LOCK™ ADAPTER (PANCAKE CODE 40)		
	APPROVED	DATE			
	CAD NAME 85007-41				
THIRD ANGLE PROJECTION		SIZE A	CODE IDENT. NO. 06090	DWG. NO. PNT40	REV. N/C
DO NOT SCALE THIS DWG				SHEET 1 OF 3	

O-RING - SILICONE TINEL-LOCK RING (4)



If this document is printed it becomes uncontrolled.
Check for the latest revision.

SIZE	CODE IDENT. NO.	DWG. NO.	REV.
A	06090	PNT40	N/C
DO NOT SCALE THIS DWG		SHEET 2 OF 3	


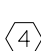
TABLE I						
ORDER NUMBER	SHELL SIZE 		MAX ENTRY 	ØA METRIC THREAD CLASS 6H	ØB MAX	C MIN
	COM	MIL				
08	9	A	05	M12 × 1.0	.71 [18.0]	.040 [1.00]
10	11	B	07	M15 × 1.0	.83 [21.0]	.040 [1.00]
12	13	C	10	M18 × 1.0	.95 [24.1]	.040 [1.00]
14	15	D	12	M22 × 1.0	1.10 [27.9]	.040 [1.00]
16	17	E	14	M25 × 1.0	1.28 [32.5]	.065 [1.65]
18	19	F	16	M28 × 1.0	1.42 [36.1]	.065 [1.65]
20	21	G	18	M31 × 1.0	1.50 [38.1]	.065 [1.65]
22	23	H	20	M34 × 1.0	1.62 [41.1]	.065 [1.65]
24	25	J	22	M37 × 1.0	1.73 [43.9]	.065 [1.65]

TABLE II			
ENTRY SIZE	ØZ	ØS	
	+0.010 -0.020 [+0.25] [-0.50]		
05	.312 [7.92]	.438 .432	[11.13] [10.97]
07	.437 [11.09]	.563 .556	[14.31] [14.12]
10	.562 [14.27]	.752 .742	[19.11] [18.84]
12	.687 [17.45]	.877 .867	[22.28] [22.02]
14	.812 [20.62]	1.002 .991	[25.46] [25.17]
16	0.922 [23.42]	1.127 1.116	[28.63] [28.34]
18	1.047 [26.59]	1.252 1.241	[31.81] [31.52]
20	1.172 [29.77]	1.377 1.366	[34.98] [34.69]
22	1.297 [32.94]	1.502 1.488	[38.15] [37.79]

If this document is printed it becomes uncontrolled.
Check for the latest revision.

SIZE	CODE IDENT. NO.	DWG. NO.	REV
A	06090	PNT40	N/C
DO NOT SCALE THIS DWG		SHEET 3 OF 3	