

CUSTOMER DRAWING

CATALOG # PMOSOSZ6C

ECN #	APPRVD.	DATE
22-185505	JB	30NOV22

SAFETY ORGANIZATIONS

THIS FILTER HAS BEEN FORMALLY RECOGNIZED, CERTIFIED OR APPROVED BY THE LISTED AGENCY. THEREFORE, ALL TEST/REQUIREMENTS SPECIFIED IN THE LATEST REVISION OF THE FOLLOWING AGENCY STANDARDS HAVE BEEN MET:

UL RECOGNIZED: UL 1283
 VDE APPROVED: EN 60939-2

OPERATING SPECIFICATIONS

LINE CURRENT/VOLTAGE: 6 AMP, 120/250 VAC,
 6 AMP/40°C, 250 VAC

LINE FREQUENCY: 50-60Hz

MAXIMUM LEAKAGE CURRENT,
 EACH LINE TO GROUND: 0.25mA @ 120V 60Hz
 0.50mA @ 250V 50Hz

OPERATING AMBIENT TEMP. RANGE: -10°C TO +40°C @ RATED CURRENT, I_r.

IN AN AMBIENT, T_a, HIGHER THAN 40°C, THE MAXIMUM OPERATING CURRENT, I_o, IS AS FOLLOWS:

$$I_o = I_r \sqrt{\frac{85 - T_a}{45}}$$

RELIABILITY SPECIFICATIONS:

STORAGE TEMPERATURE: -40°C TO +85°C
 HUMIDITY: 21 DAYS @ 40°C 95% RH.
 CURRENT OVERLOAD TEST: 6 TIMES I_r FOR 8 SECONDS

TEST SPECIFICATIONS:

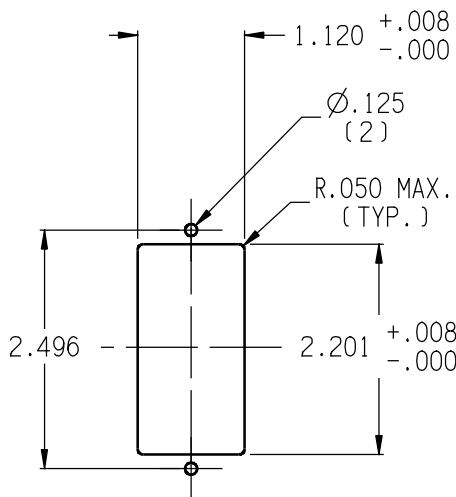
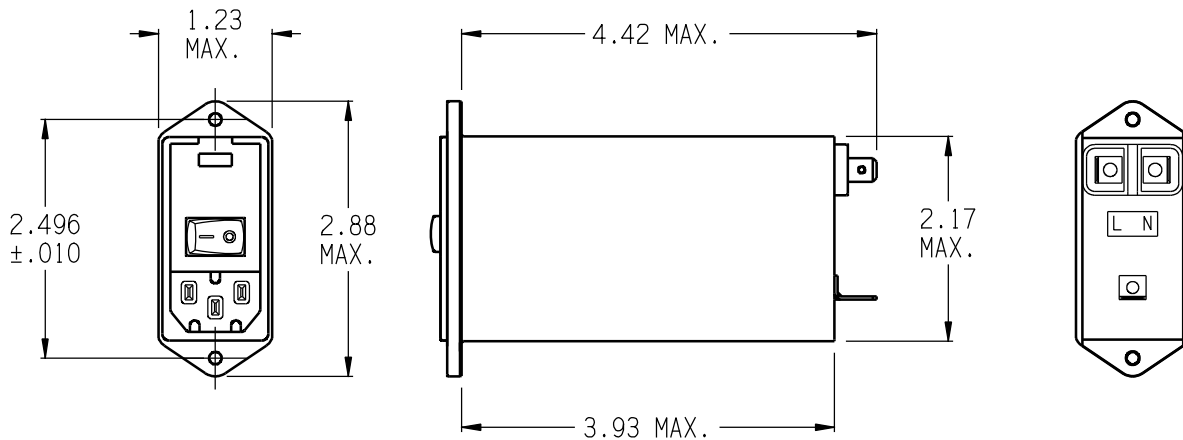
INDUCTANCE: 6.2 mH NOMINAL
 CAPACITANCE: (MEASURED @ 1KHz, 0.250VAC MAX., 25°C±1°C)
 LINE TO GROUND: 0.006µF ±20%
 LINE TO LINE: 2.0µF ±20%
 DISCHARGE RESISTOR: 165K Ω
 L/G AND L/L I.R.
 NO DISCHARGE RESISTOR: 6000MΩ (MIN.) @ 100VDC, 20°C AND 50% RH

RECOMMENDED RECEIVING INSPECTION HIPOT:

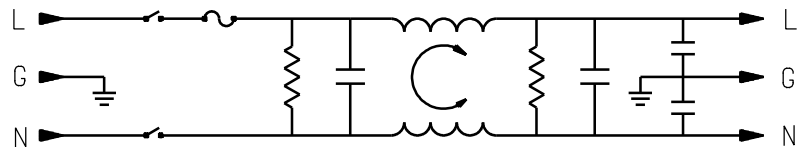
LINE TO GROUND: 1500VAC OR 2250VDC FOR 1 MINUTE
 LINE TO LINE: 1450VDC FOR 1 MINUTE

FILTER APPROVAL:

THE BEST WAY TO SELECT AND QUALIFY A FILTER IS FOR YOUR ENGINEERING TO TEST THE UNIT IN YOUR EQUIPMENT.



PANEL CUTOUT



50Ω - 50Ω (MINIMUM) INSERTION LOSS									THIRD ANGLE PROJECTION		 CORCORN PRODUCTS, 620 S. BUTTERFIELD RD. MUNDELEIN IL 60060				
FREQUENCY MHz	.01	.05	.10	.15	.50	1.0	5.0	10.0	30.0	UNLESS OTHERWISE SPECIFIED, TOLERANCE TO BE ±.025		POWER LINE FILTER			
COMMON dB	8	21	27	30	37	43	49	52	42	MATERIAL & FINISH: AS SUPPLIED		TYCO ELECTRONICS PART NO. 3-1609109-0			
DIFF. dB	10	15	34	44	75	75	75	70	60	THIS INFORMATION IS CONFIDENTIAL AND PROPRIETARY TO TYCO ELECTRONICS CORPORATION AND ITS WORLDWIDE SUBSIDIARIES AND AFFILIATES. IT MAY NOT BE DISCLOSED TO ANYONE OTHER THAN TYCO ELECTRONICS PERSONNEL, WITHOUT WRITTEN AUTHORIZATION FROM TYCO ELECTRONICS CORPORATION. HARRISBURG, PENNSYLVANIA USA		SCALE: NTS	DATE: 28MAY08	CATALOG NO. PMOSOSZ6C	REV. C
										DRW. BY: SD	DRTG: ELC				