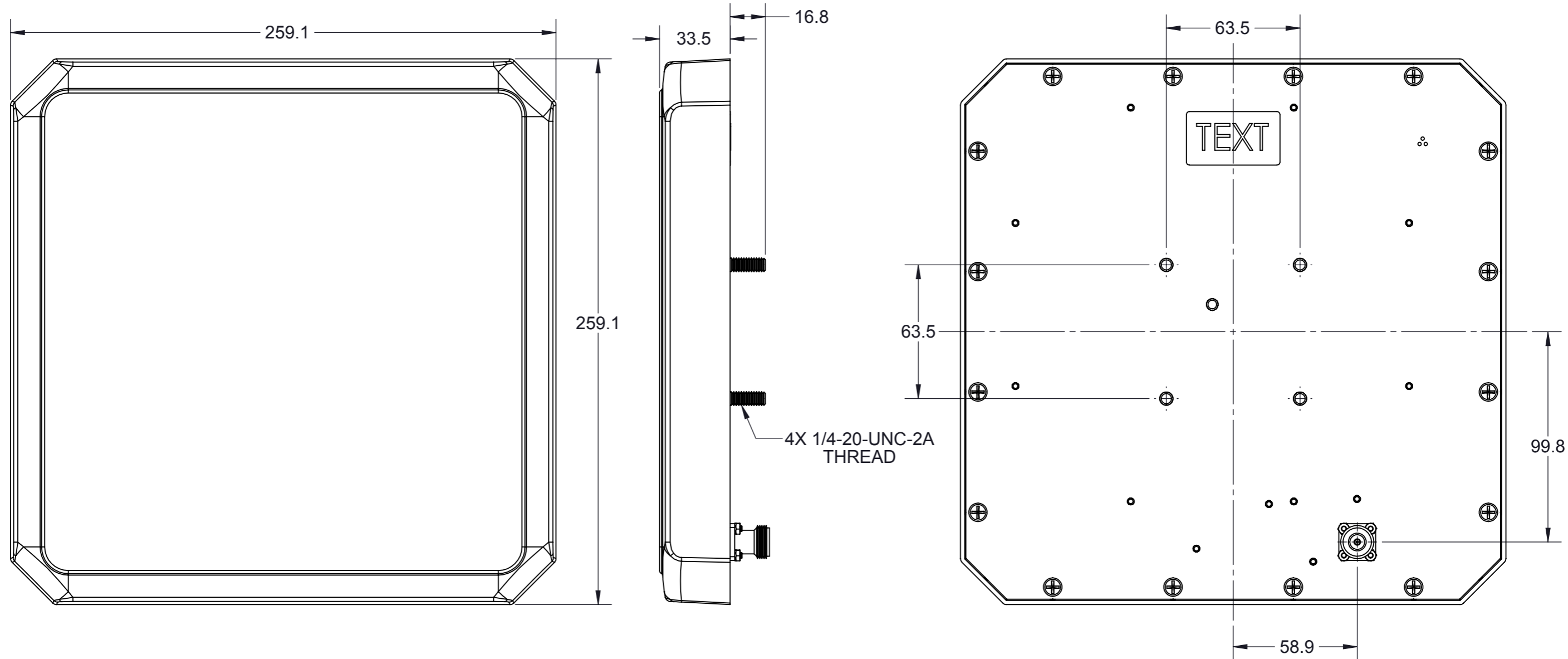


REVISIONS					
REV.	ECR#	ZONE	DESCRIPTION	CHANGED BY/DATE	APPROVED BY/DATE
AA			PRODUCTION RELEASE	S.J. 6/11/2013	S.J. 6/11/2013



Parameter	Performance
Antenna Part Number	PAV90209H-FNF
Frequency	902-928 MHz
Gain	9dBi
Polarization	Linear
VSWR	1.3:1
Beamwidth (3dB)	70°
Front to Back	18dB
RF Connector	Fixed Type N-Female
Power	10W
Weight	0.98kg (2.2lbs)

<b>MATERIAL:</b> N/A		THIRD ANGLE PROJECTION 
<b>FINISH:</b> N/A		
APPROVALS		DO NOT SCALE DRAWING
DRAWN BY	S. JOHNSON	DATE
PROJ. ENG.	T. PETROPOULOS	6/11/13
APPL. MECH.	E. RUSSELL	6/11/13
MFG.	B. THATCHER	6/11/13

INTERPRET DIMENSIONING AND TOLERANCING IN ACCORDANCE WITH ASME Y14.5M-2009

**TOLERANCES UNLESS OTHERWISE SPECIFIED**

DIMENSIONS ARE IN MILLIMETERS

ANGLE: ±30'  
 0 PLACE DECIMAL: ±0.5  
 1 PLACE DECIMAL: ±0.25  
 2 PLACE DECIMAL: ±0.13

SURFACE ROUGHNESS 1.6/√

**Laird TECHNOLOGIES** MANCHESTER, NH 03103 USA

TITLE: **PAV90209H-FNF MOUNTING & OUTLINE**

SIZE **A3** DWG. NO. **PAV90209H-FNFMO** REV **AA**

SCALE: 1:2 PREVIOUS# SHEET 1 OF 1

The component(s), including any plating, finishes, coatings, chemicals and surfaces treatments, supplied in this document/drawing must conform and comply with the latest issue of Laird Technologies Specification LT-GES-001, which fully includes but is not limited to all contents of EU Directives 2002/95/EC (RoHS Directive), as well as includes requirements of the Joint Industry Guide standard JIG-101, April 2005. The component(s) in this document/drawing may be subject to a full compound analysis for proof of compliance. The latest issue of Laird Technologies Specification LT-GES-001, (General Specification for the Environment) is readily available upon request from the supplier.

UNLESS OTHERWISE NOTED, THIS DOCUMENT CONTAINS LAIRD TECHNOLOGIES CONFIDENTIAL INFORMATION. REPRODUCTION, USE, DISCLOSURE OR TRANSMITTAL OF ALL OR ANY PART OF THIS DOCUMENT IS PROHIBITED EXCEPT TO THE EXTENT APPROVED IN WRITING BY AN AUTHORIZED REPRESENTATIVE OF LAIRD TECHNOLOGIES. LAIRD TECHNOLOGIES RESERVES ALL RIGHTS UNDER PATENTS, TRADEMARKS, COPYRIGHTS AND TRADE SECRETS. COPYRIGHT, LAIRD TECHNOLOGIES 2010, ALL RIGHTS RESERVED.