

6

5

4

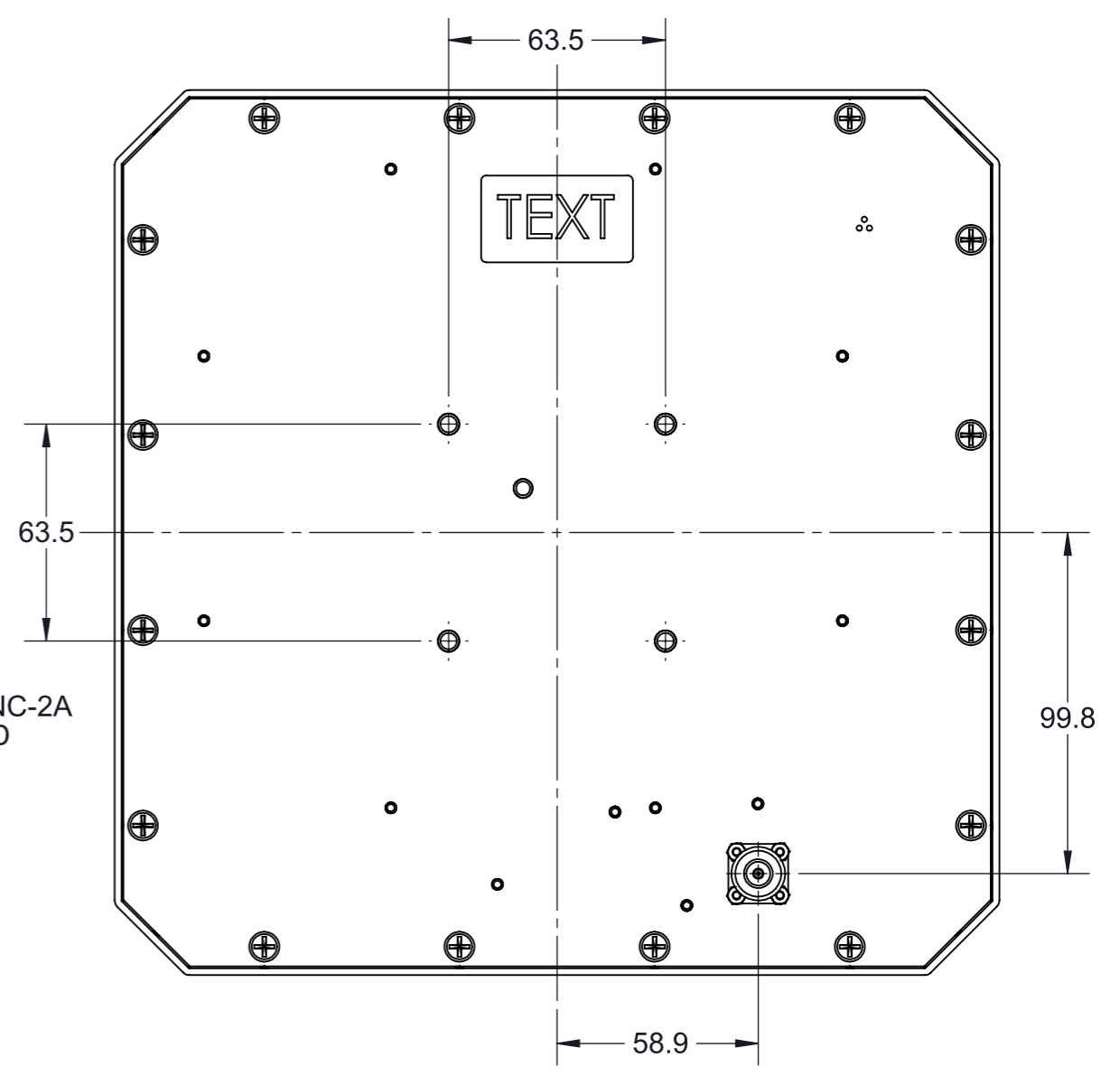
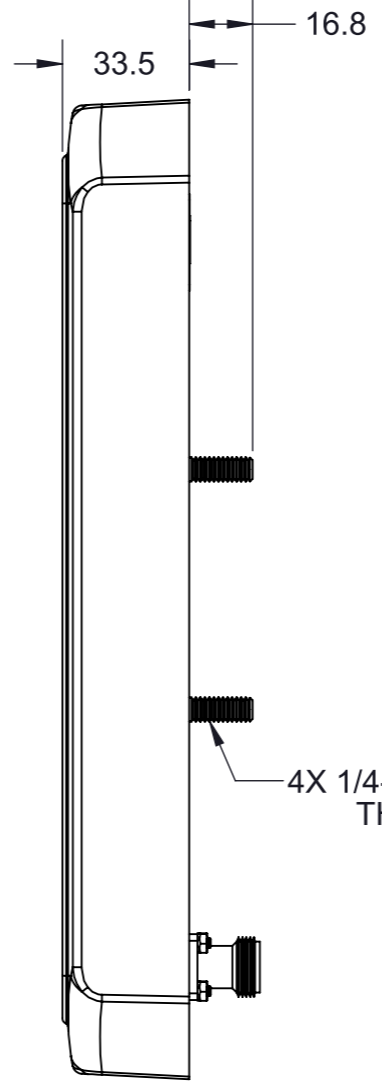
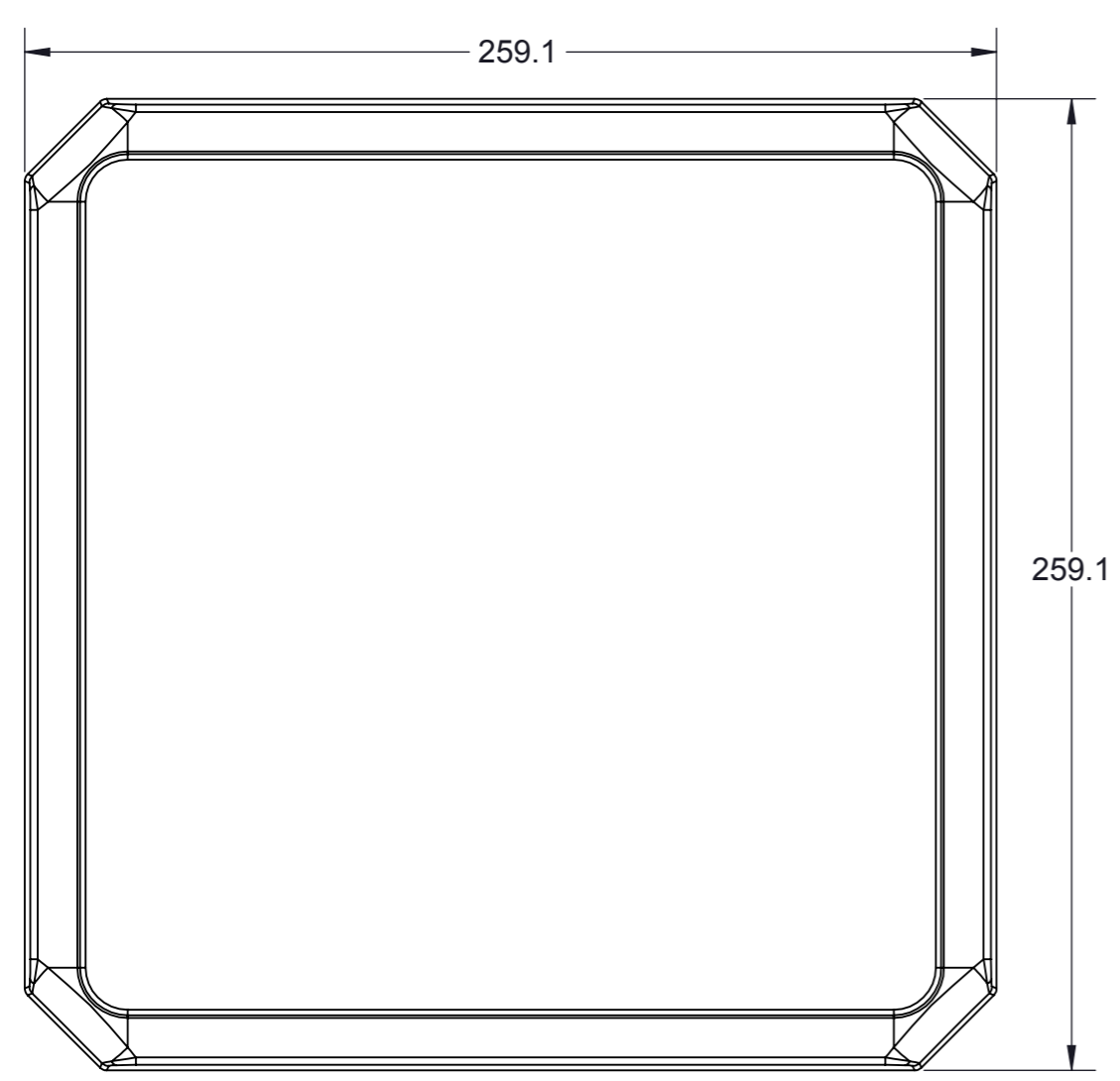
3

2

1

THIS DRAWING IS UNPUBLISHED.	RELEASED FOR PUBLICATION	-,- .
© Copyright 2022 TE Connectivity Ltd.		ALL RIGHTS RESERVED.

REVISIONS					
REV.	ECR#	ZONE	DESCRIPTION	CHANGED BY/DATE	APPROVED BY/DATE
AA			PRODUCTION RELEASE	S.J. 6/11/2013	S.J. 6/11/2013



Parameter	Performance
Antenna Part Number	PAV90209H-FNF
Frequency	902-928 MHz
Gain	9dBi
Polarization	Linear
VSWR	1.3:1
Beamwidth (3dB)	70°
Front to Back	18dB
RF Connector	Fixed Type N-Female
Power	10W
Weight	0.98kg (2.2lbs)

MATERIAL: N/A	
FINISH: N/A	
APPROVALS	DATE
DRAWN BY: S. JOHNSON	6/11/13
PROJ. ENG.: T. PETROPOULOS	6/11/13
APPL. MECH.: E. RUSSELL	6/11/13
MFG.: B. THATCHER	6/11/13

THIRD ANGLE PROJECTION

DO NOT SCALE DRAWING

INTERPRET DIMENSIONING AND TOLERANCING IN ACCORDANCE WITH ASME Y14.5M-2009

TOLERANCES UNLESS OTHERWISE SPECIFIED

DIMENSIONS ARE IN MILLIMETERS

ANGLE: ±30'
 0 PLACE DECIMAL: ±0.5
 1 PLACE DECIMAL: ±0.25
 2 PLACE DECIMAL: ±0.13

SURFACE ROUGHNESS 1.6/√

TE connectivity

TITLE:
PAV90209H-FNF

SIZE: A3

DWG. NO.: PAV90209H-FNFMO

REV: AA

SCALE: 1:2 PREVIOUS# SHEET 1 OF 1

6

5

4

3

2

1