



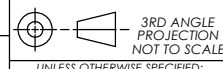
CODE 54 - TINEL-LOCK BACKSHELL J MODIFICATION CHAIN ATTACHMENT

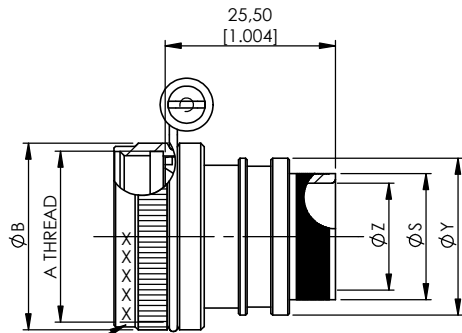
TXR54AB00-1608AJ

SERIES _____
 TXR: RING INCLUDED
 (SEE RING OPTION)
 TX: RING NOT INCLUDED
 CONNECTOR INTERFACE _____
 MATERIAL _____
 FINISH _____
 ANGLE _____
 DASH NUMBER (TABLE 1) _____
 ENTRY SIZE (TABLE 2) _____
 RING OPTION _____
 AI - TO SUIT SINGLE BRAID
 BI - TO SUIT DOUBLE BRAID
 FOR TX, LEAVE BLANK
 MODIFICATION CODE _____
 J MODIFICATION CHAIN ATTACHMENT

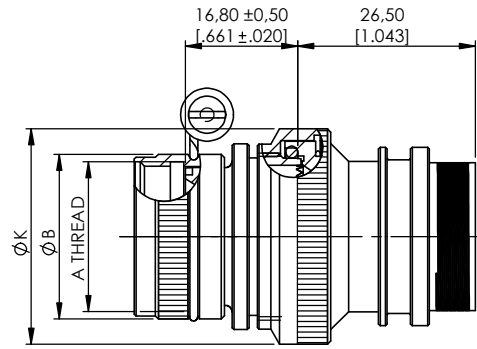
NOTES:

1. THIS PRODUCT IS DESIGNED TO TERMINATE A BRAIDED CABLE SHIELD AND A HEAT SHRINKABLE LIPPED BOOT TO A CONNECTOR.
2. THE INFORMATION CONTAINED ON THIS DRAWING SUPERSEDES THAT SHOWN IN SS-CH00-0250-008.
3. SEE DRAWING TR FOR DETAIL ON TINEL-LOCK RING, RINGS ARE DESIGNED TO BE HEATED ELECTRICALLY, ALL RINGS ARE MARKED WITH THERMOCHROMIC PAINT WHICH CHANGES COLOUR WHEN INSTALLATION TEMPERATURE IS REACHED.
4. BACKSHELL TO BE PERMANENTLY MARKED/BAGGED AND LABELLED WITH CODE IDENTIFICATION NUMBER AND PART NUMBER LESS RING DESIGNATOR. (e.g. 06090-TXR54AB00-1206J). RING SHALL BEAR NO MARKING.
5. FOR LARGER ENTRY SIZES, A 2 PIECE BACKSHELL ASSEMBLY (TYPE 2) IS SUPPLIED.
6. BACKSHELL MATES TO MIL-C-5015G, MS3400 SERIES CLASS D, E, K, L, U & W: MS3400, MS3401, MS3404, MS3406, MS3424, MS3446, MS3464, MS3467, MS3468, MS3450, MS3451, MS3454, MS3456, MS3470, MS3471, MS3472, MS3474, MS3475, MS3476. MIL-C-83723 SERIES II CLASS A & L, MIL-C-83723 SERIES I & II CLASS A, G, K, R & S: M83723/1, /2, /3, /4, /5, /6, /7, /8, /13, /14, /36, /37, /38, /39, /40, /41, /42, /43, /48, /49, /65, /66, /67, /68, /69, /70, /71, /72, /73, /74, /75, /76, /77, /78, /82, /83, /84, /85, /86, /87, /91, /92, /95, /97, /98 (MS3155 CONTROLLED INTERFACE).

DRAWN D. WRIGLEY 05/02/2019		DATE 05/02/2019		BS 8888		PART NUMBER TXR54, J MODIFICATION SERIES		 Polamco  STE <small>connectivity</small>
APPROVED BY M. PAUL 22/02/2019		CHECKED BY R. STYLES 27/02/2019		 3RD ANGLE PROJECTION NOT TO SCALE UNLESS OTHERWISE SPECIFIED: ALL DIMENSIONS IN MILLIMETRES INCHES IN PARENTHESES GENERAL TOLERANCES LINEAR ± 0.25mm ANGULAR ± 1°		TITLE TINEL-LOCK BACKSHELL, J MODIFICATION		
DOC TYPE Customer Drawing		MATERIAL SEE PART NUMBER BREAKDOWN		HEAT TREATMENT & FINISH SEE PART NUMBER BREAKDOWN		ASSY USED ON: SEE NOTE 6		
ISSUE/REV AB		CHANGE NOTICE DCR		NCAGE CODE U5792		RESTRICTED TO: WESTON LOCK, LOWER BRISTOL RD, BATH, BA2 1EP TEL. +44 (0)1225 322500		DRAWING NO: P43620
WEIGHT/g -						SHT. 1 OF 3		

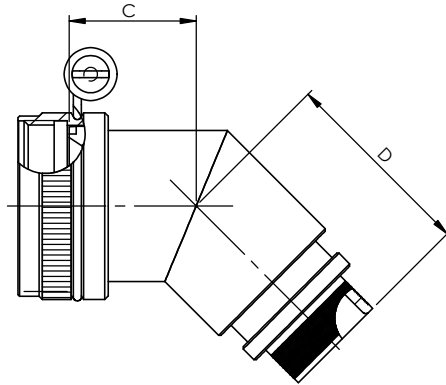


STRAIGHT BACKSHELL - TYPE 1

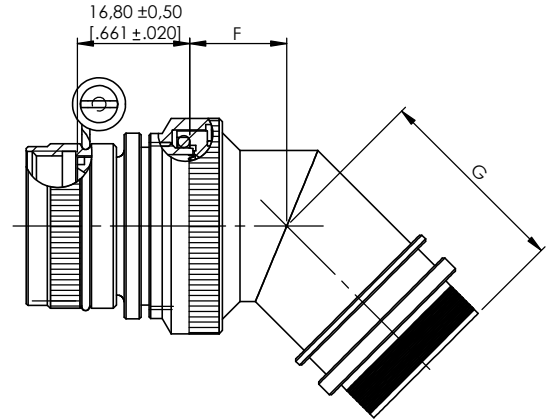


STRAIGHT BACKSHELL - TYPE 2

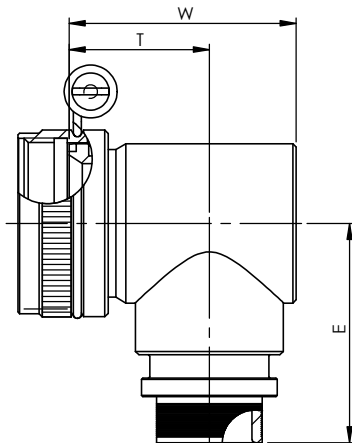
PART MARK
HERE



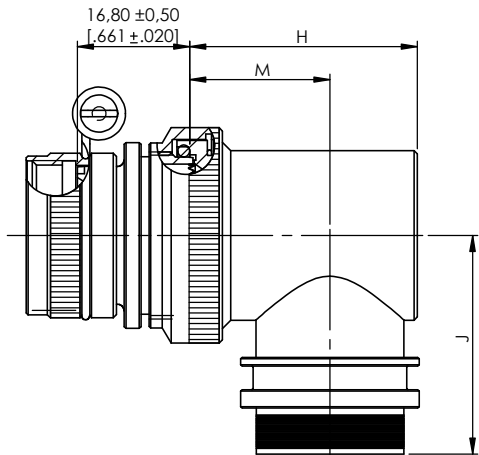
45° BACKSHELL - TYPE 1



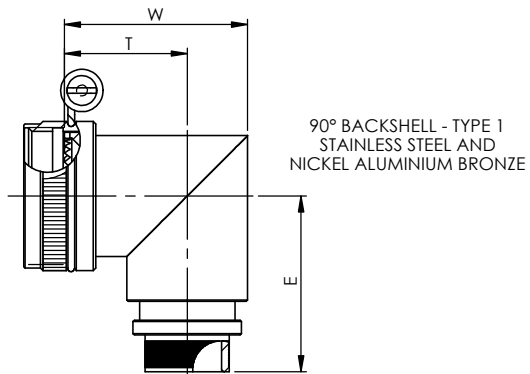
45° BACKSHELL - TYPE 2



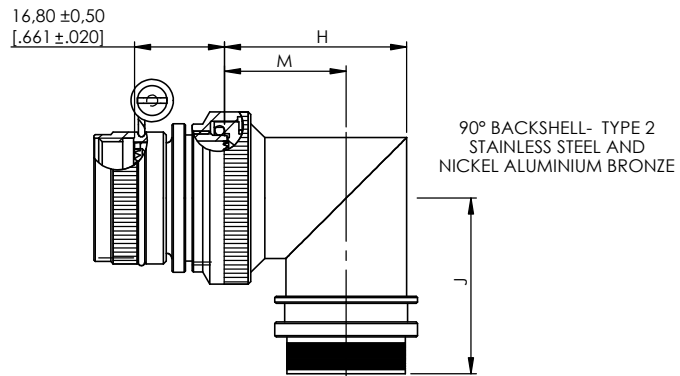
90° BACKSHELL - TYPE 1



90° BACKSHELL - TYPE 2



90° BACKSHELL - TYPE 1
STAINLESS STEEL AND
NICKEL ALUMINIUM BRONZE



90° BACKSHELL - TYPE 2
STAINLESS STEEL AND
NICKEL ALUMINIUM BRONZE

DRAWN		DATE
D. WRIGLEY		05/02/2019
APPROVED BY		
M. PAUL		22/02/2019
CHECKED BY		
R. STYLES		27/02/2019
DOC TYPE	Customer Drawing	
ISSUE/REV	CHANGE NOTICE	
AB	DCR	
NCAGE CODE U5792	WEIGHT/g	-

BS 8888
3RD ANGLE PROJECTION NOT TO SCALE
UNLESS OTHERWISE SPECIFIED: ALL DIMENSIONS IN MILLIMETRES INCHES IN PARENTHESES GENERAL TOLERANCES LINEAR ± 0.25mm ANGULAR ± 1°
MATERIAL
SEE PART NUMBER BREAKDOWN
HEAT TREATMENT & FINISH
SEE PART NUMBER BREAKDOWN

PART NUMBER	TXR54, J MODIFICATION SERIES
TITLE	TINEL-LOCK BACKSHELL, J MODIFICATION
ASSY USED ON:	SEE NOTE 6
RESTRICTED TO:	
THIS INFORMATION IS CONFIDENTIAL AND PROPRIETARY TO TYCO ELECTRONICS CORPORATION AND ITS WORLDWIDE SUBSIDIARIES AND AFFILIATES (TE). IT MAY NOT BE DISCLOSED TO ANYONE OTHER THAN TE PERSONNEL WITHOUT AUTHORIZATION FROM TE (www.TE.com).	
WESTON LOCK, LOWER BRISTOL RD, BATH, BA2 1EP TEL. +44 (0)1225 322500	SHT. 2 OF 3

Polanco

STE
connectivity

DRAWING NO:
P43620

TABLE 1

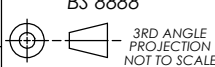

DIMENSIONS APPLY FOR
STAINLESS STEEL AND NICKEL
ALUMINIUM BRONZE BACKSHELLS

ORDER NO.	A THREAD	B MAX	MAX ENTRY	C +/-0,5 [+/-0.020]	D +/-0,5 [+/-0.020]	W +/-0,5 [+/-0.020]	T +/-0,5 [+/-0.020]	E +/-0,5 [+/-0.020]	W +/-0,5 [+/-0.020]	T +/-0,5 [+/-0.020]	E +/-0,5 [+/-0.020]
03	9/16-24 UNEF	17,0 [0.669]	04	16,8 [0.661]	27,0 [1.063]	26,4 [1.039]	17,8 [0.701]	25,9 [1.02]	26,3 [1.035]	16,0 [0.630]	25,9 [1.020]
08	1/2-20 UNF	15,6 [0.614]	04	16,6 [0.654]	26,8 [1.055]	24,5 [0.965]	17,5 [0.689]	26,2 [1.031]	22,4 [0.882]	17,5 [0.689]	26,2 [1.031]
10	5/8-24 UNEF	18,6 [0.732]	06	16,8 [0.661]	27,5 [1.083]	26,5 [1.043]	17,8 [0.701]	28,0 [1.102]	25,0 [0.984]	18,8 [0.740]	28,0 [1.102]
12	3/4-20 UNEF	21,7 [0.854]	08	17,3 [0.681]	28,0 [1.102]	29,0 [1.142]	18,7 [0.736]	29,5 [1.161]	28,3 [1.114]	20,4 [0.803]	29,5 [1.161]
14	7/8-20 UNEF	24,9 [0.980]	08	18,1 [0.713]	29,0 [1.142]	30,5 [1.201]	19,0 [0.748]	30,3 [1.193]	30,4 [1.197]	21,5 [0.846]	31,0 [1.220]
16	1-20 UNEF	28,2 [1.110]	10	19,0 [0.748]	29,7 [1.169]	34,0 [1.339]	21,0 [0.827]	32,7 [1.287]	33,5 [1.319]	23,0 [0.906]	32,7 [1.287]
18	1 1/16-18 UNEF	30,9 [1.217]	12	19,2 [0.756]	30,5 [1.201]	37,0 [1.457]	23,5 [0.925]	32,7 [1.287]	35,5 [1.398]	24,0 [0.945]	32,7 [1.287]
20	1 3/16-18 UNEF	34,1 [1.343]	14	20,1 [0.791]	30,9 [1.217]	42,0 [1.654]	27,0 [1.063]	34,3 [1.35]	38,8 [1.528]	25,7 [1.012]	34,3 [1.350]
22	1 5/16-18 UNEF	37,3 [1.469]	16	20,3 [0.799]	31,1 [1.224]	44,0 [1.732]	27,0 [1.063]	35,8 [1.409]	41,9 [1.650]	27,2 [1.071]	35,8 [1.409]
24	1 7/16-18 UNEF	40,4 [1.591]	18	21,8 [0.858]	32,1 [1.264]	45,0 [1.772]	27,0 [1.063]	37,4 [1.472]	44,8 [1.764]	28,7 [1.130]	37,4 [1.472]
28	1 3/4-18 UNS	50,0 [1.969]	22	23,3 [0.917]	32,5 [1.28]	54,2 [2.134]	31,4 [1.236]	41,9 [1.650]	50,7 [1.996]	31,6 [1.244]	41,9 [1.650]
32	2-18 UNS	56,3 [2.217]	24	25,0 [0.984]	29,3 [1.154]	60,9 [2.398]	36,4 [1.433]	45,3 [1.783]	60,0 [2.362]	33,5 [1.319]	45,3 [1.783]
36	2 1/4-16 UN	62,7 [2.469]	28	26,2 [1.031]	30,7 [1.209]	67,2 [2.646]	38,0 [1.496]	48,4 [1.906]	65,5 [2.579]	36,0 [1.417]	48,4 [1.906]
40	2 1/2-16 UN	69,0 [2.717]	28	28,6 [1.126]	32,0 [1.260]	73,2 [2.882]	41,0 [1.614]	51,4 [2.024]	72,0 [2.835]	39,3 [1.547]	51,4 [2.024]
44	2 3/4-16 UN	75,4 [2.969]	28	30,1 [1.185]	33,7 [1.327]	79,5 [3.13]	44,1 [1.736]	54,6 [2.15]	75,5 [2.972]	40,8 [1.606]	54,6 [2.15]
48	3-16 UN	81,7 [3.217]	28	31,3 [1.232]	34,9 [1.374]	85,8 [3.378]	47,2 [1.858]	57,7 [2.272]	75,5 [2.972]	40,8 [1.606]	57,7 [2.272]
61	1 1/2-18 UNEF	42,0 [1.654]	18	22,1 [0.870]	26,6 [1.047]	47,8 [1.882]	28,0 [1.102]	38,7 [1.524]	48,3 [1.902]	27,0 [1.063]	38,7 [1.524]

TABLE 2

DIMENSIONS APPLY FOR
STAINLESS STEEL AND NICKEL
ALUMINIUM BRONZE BACKSHELLS

ENTRY SIZE	Z MIN	S	Y +/-0,3 [+/-0.12]	K MAX	F +/-0,5 [+/-0.020]	G +/-0,5 [+/-0.020]	H +/-0,5 [+/-0.020]	M +/-0,5 [+/-0.020]	J +/-0,5 [+/-0.020]	H +/-0,5 [+/-0.020]	M +/-0,5 [+/-0.020]	J +/-0,5 [+/-0.020]
04	6,35 [.250]	9,49 +/-0,04 [.374 +/-0.002]	14,00 [.551]	NA	NA	NA	NA	NA	NA	NA	NA	NA
05	7,92 [.312]	11,06 +/-0,04 [.435 +/-0.002]	15,50 [.610]	21,0 [.827]	12,5 [.492]	27,5 [1.083]	24,0 [.945]	15,5 [.610]	27,95 [1.100]	24,3 [.957]	17,2 [.677]	28,2 [1.110]
06	9,53 [.375]	12,66 +/-0,04 [.498 +/-0.002]	17,10 [.673]	21,0 [.827]	12,5 [.492]	27,5 [1.083]	24,0 [.945]	15,5 [.610]	27,95 [1.100]	24,3 [.957]	17,2 [.677]	28,2 [1.110]
07	11,10 [.437]	14,21 +/-0,07 [.559 +/-0.003]	18,70 [.736]	21,0 [.827]	12,5 [.492]	27,5 [1.083]	24,0 [.945]	15,5 [.610]	27,95 [1.100]	24,3 [.957]	17,2 [.677]	28,2 [1.110]
08	12,70 [.500]	15,81 +/-0,07 [.622 +/-0.003]	20,30 [.799]	24,5 [.965]	13,1 [.516]	28,0 [1.102]	27,0 [1.063]	17,0 [.669]	29,45 [1.159]	28,3 [1.114]	19,4 [.764]	29,7 [1.169]
10	15,88 [.625]	18,96 +/-0,08 [.746 +/-0.003]	23,50 [.925]	29,0 [1.142]	13,5 [.531]	29,0 [1.142]	31,0 [1.220]	19,5 [.771]	31,00 [1.220]	31,1 [1.224]	21,0 [.827]	31,2 [1.228]
12	19,05 [.750]	22,14 +/-0,08 [.872 +/-0.003]	26,70 [1.051]	32,5 [1.280]	14,5 [.571]	29,7 [1.169]	34,0 [1.339]	21,0 [.827]	32,70 [1.287]	34,2 [1.346]	22,8 [.898]	32,9 [1.295]
14	22,23 [.875]	25,30 +/-0,08 [.996 +/-0.003]	29,80 [1.173]	35,5 [1.398]	15,5 [.610]	30,5 [1.201]	35,0 [1.378]	20,0 [.787]	34,25 [1.348]	38,5 [1.516]	25,3 [.996]	34,5 [1.358]
16	25,40 [1.000]	28,48 +/-0,08 [1.121 +/-0.003]	33,00 [1.299]	37,0 [1.457]	16,1 [.634]	30,9 [1.217]	38,0 [1.496]	21,5 [.846]	35,80 [1.409]	40,7 [1.602]	26,1 [1.028]	36,1 [1.421]
18	28,58 [1.125]	31,65 +/-0,08 [1.246 +/-0.003]	36,20 [1.425]	40,0 [1.575]	16,5 [.650]	31,1 [1.224]	42,0 [1.654]	24,0 [.945]	37,40 [1.472]	43,7 [1.720]	27,6 [1.087]	37,6 [1.480]
20	31,75 [1.250]	34,83 +/-0,08 [1.371 +/-0.003]	39,40 [1.551]	43,5 [1.713]	17,0 [.669]	32,1 [1.264]	45,0 [1.772]	25,5 [1.004]	38,90 [1.531]	46,4 [1.827]	29,1 [1.146]	39,1 [1.539]
22	34,93 [1.375]	37,98 +/-0,08 [1.495 +/-0.003]	42,50 [1.673]	48,5 [1.909]	18,5 [.728]	35,3 [1.390]	54,5 [2.146]	31,0 [1.220]	42,00 [1.654]	50,0 [1.969]	31,0 [1.220]	42,0 [1.654]
24	38,10 [1.500]	41,15 +/-0,08 [1.620 +/-0.003]	45,70 [1.799]	52,1 [2.051]	21,9 [.862]	38,1 [1.500]	58,0 [2.283]	33,0 [1.299]	46,00 [1.811]	53,5 [2.106]	33,0 [1.299]	46,0 [1.811]
28	44,45 [1.750]	47,50 +/-0,08 [1.870 +/-0.003]	52,00 [2.047]	58,5 [2.303]	26,9 [1.059]	44,4 [1.748]	65,5 [2.579]	36,5 [1.437]	51,1 [2.012]	60,3 [2.374]	36,5 [1.437]	51,1 [2.012]

DRAWN D. WRIGLEY 05/02/2019	DATE 05/02/2019	 <p>BS 8888</p> <p>3RD ANGLE PROJECTION NOT TO SCALE</p>	PART NUMBER TXR54, J MODIFICATION SERIES	 <p>Polanco</p>
APPROVED BY M. PAUL 22/02/2019	DATE 22/02/2019		TITLE TINEL-LOCK BACKSHELL, J MODIFICATION	
CHECKED BY R. STYLES 27/02/2019	DATE 27/02/2019	<p>UNLESS OTHERWISE SPECIFIED: ALL DIMENSIONS IN MILLIMETRES INCHES IN PARENTHESES GENERAL TOLERANCES LINEAR ± 0.25mm ANGULAR ± 1°</p>	ASSY USED ON: SEE NOTE 6	RESTRICTED TO:
DOC TYPE Customer Drawing	ISSUE/REV AB	CHANGE NOTICE DCR	THIS INFORMATION IS CONFIDENTIAL AND PROPRIETARY TO TYCO ELECTRONICS CORPORATION AND ITS WORLDWIDE SUBSIDIARIES AND AFFILIATES (TE). IT MAY NOT BE DISCLOSED TO ANYONE OTHER THAN TE PERSONNEL WITHOUT AUTHORIZATION FROM TE (www.TE.com).	WESTON LOCK, LOWER BRISTOL RD, BATH, BA2 1EP TEL. +44 (0)1225 322500
NCAGE CODE U5792	WEIGHT/g -	MATERIAL SEE PART NUMBER BREAKDOWN HEAT TREATMENT & FINISH SEE PART NUMBER BREAKDOWN	DRAWING NO: P43620	SHT. 3 OF 3