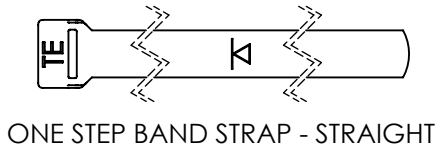
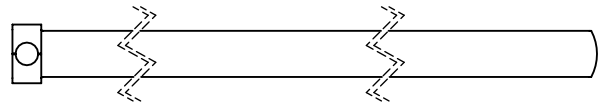


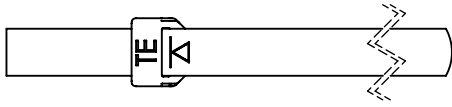
REVISIONS



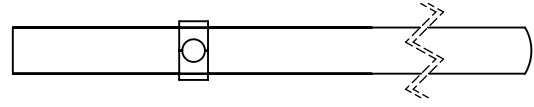
ONE STEP BAND STRAP - STRAIGHT



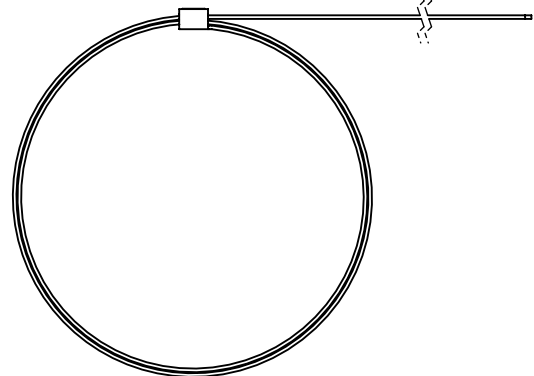
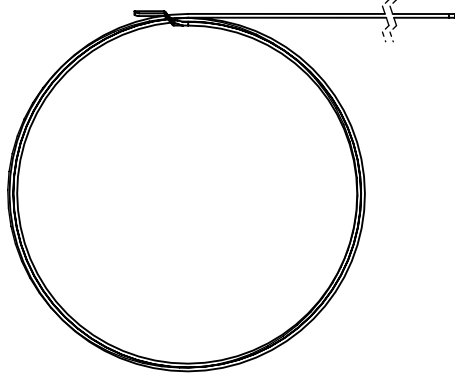
TWO STEP BAND STRAP - STRAIGHT



ONE STEP BAND STRAP - PRE-COILED



TWO STEP BAND STRAP - PRE-COILED



**BND-0812X**  
 SCREEN TERMINATION BAND  
 BAND LENGTH  
 AND BUCKLE TYPE IDENTIFIER  
 BAND WIDTH IDENTIFIER  
 BAND CONFIGURATION  
 S - STRAIGHT (FLAT)  
 P - PRE-COILED

NOTES:

1. THE BAND STRAPS ARE CONSTRUCTED FROM 300 SERIES PASSIVATED CORROSION RESISTING STEEL.
2. THE PRODUCT SHALL BE IDENTIFIED ON THE PACKAGE LABEL.
3. PART MARKING:  
 ONE STEP BAND STRAP WILL BE PERMANENTLY MARKED WITH TE LOGO.  
 TWO STEP BAND STRAP WILL BE PERMANENTLY MARKED WITH TE LOGO.
4. RECOMMENDED INSTALLATION TOOLS:  
 BND-0812X: M81306/1-02 OR EQUIVALENT.  
 BND-1012X: M81306/2-02 OR EQUIVALENT.  
 BND-1412X: M81306/1-02 OR EQUIVALENT.  
 BND-1425X : M81306/1-01 OR EQUIVALENT.  
 BND-1225X : M81306/2-01 OR EQUIVALENT.  
 BND-1212X: M81306/2-02 OR EQUIVALENT.
5. THE INSTALLATION TOOL FOR ONE STEP BAND AND TWO STEP BAND ARE NOT INTERCHANGEABLE.

RELEASED FOR PUBLICATION

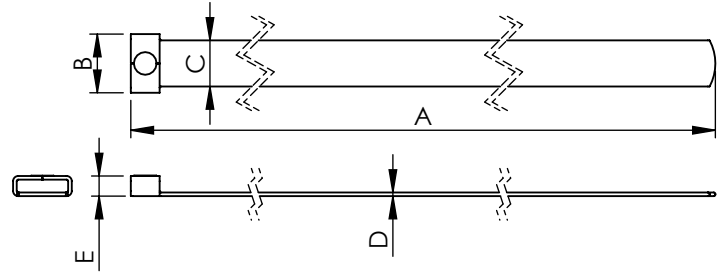
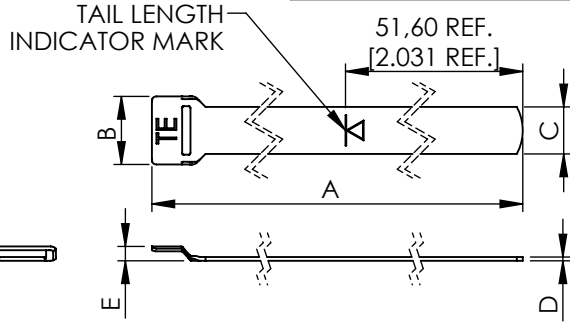
ALL RIGHTS RESERVED.

THIS DRAWING IS UNPUBLISHED.

© COPYRIGHT 20 BY

DIMENSIONS: MILLIMETERS	DWN: K.KUTA-WINCZURA 26/11/2019	MATERIAL: 300 SERIES CORROSION RESISTING STEEL	FINISH: PASSIVATED
	CHK: R.STYLES 11/12/2019		
TOLERANCES UNLESS OTHERWISE SPECIFIED:	APVD: M.PAUL 11/12/2019		
GENERAL TOL LINEAR ±0,25MM ANGULAR ±1°	PRODUCT SPEC: -	NAME: SCREEN TERMIANTION BAND	
	APPLICATION SPEC: -	SIZE: A4	CAGE CODE: U5792
	WEIGHT:	DRAWING NO: C-P35877	RESTRICTED TO
	CUSTOMER DRAWING	SCALE: 1:5	SHEET 1 OF 3 REV AA

REVISIONS

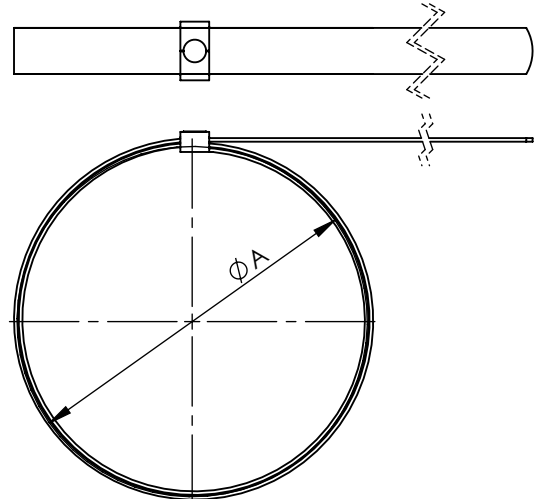
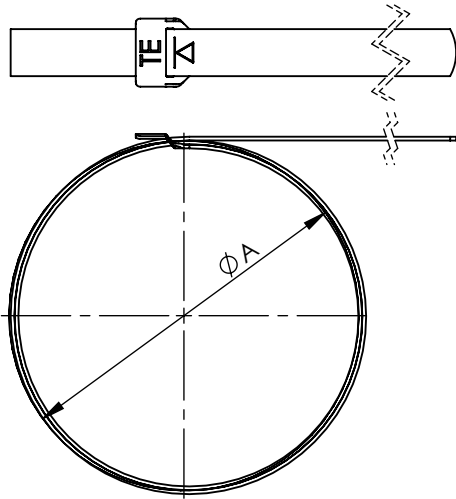


ONE STEP BAND STRAP - STRAIGHT

PART NUMBER	ENTRY SIZE	A ±1,8 [±.071]	B ±1,0 [±.040]	C ±0,2 [±.010]	D REF.	E REF.
BND-0812S	03 TO 12	206,3 [8.120]	5,0 [.197]	2,9 [.114]	0,4 [.016]	1,8 [.071]
BND-1412S	03 TO 24	362,0 [14.252]	5,0 [.197]	2,9 [.114]	0,4 [.016]	1,8 [.071]
BND-1425S	03 TO 24	362,1 [14.260]	8,9 [.350]	6,2 [.244]	0,5 [.020]	1,9 [.075]

TWO STEP BAND STRAP - STRAIGHT

PART NUMBER	ENTRY SIZE	A ±1,8 [±.071]	B ±1,0 [±.040]	C ±0,2 [±.010]	D REF.	E REF.
BND-1012S	03 TO 12	241,0 [9.488]	5,1 [.201]	3,0 [.118]	0,4 [.016]	2,2 [.087]
BND-1225S	03 TO 24	358,8 [14.126]	8,3 [.327]	6,2 [.244]	0,5 [.020]	2,5 [.098]
BND-1212S	03 TO 24	362,0 [14.252]	5,0 [.197]	3,0 [.118]	0,5 [.020]	2,5 [.098]



ONE STEP BAND STRAP - PRE-COILED

PART NUMBER	ENTRY SIZE	ØA REF
BND-0812P	03 TO 12	28,5 [1.120]
BND-1412P	03 TO 24	44,5 [1.752]
BND-1425P	03 TO 24	44,5 [1.752]

TWO STEP BAND STRAP - PRE-COILED

PART NUMBER	ENTRY SIZE	ØA REF
BND-1012P	03 TO 12	28,5 [1.120]
BND-1225P	03 TO 24	44,5 [1.752]
BND-1212P	03 TO 24	44,5 [1.752]

THIS DRAWING IS UNPUBLISHED. ALL RIGHTS RESERVED. BY COPYRIGHT 20

DIMENSIONS: MILLIMETERS	DWN: K.KUTA-WINCZURA 26/11/2019	MATERIAL: 300 SERIES CORROSION RESISTING STEEL	FINISH: PASSIVATED
	CHK: R.STYLES 11/12/2019	TE Connectivity	
TOLERANCES UNLESS OTHERWISE SPECIFIED:	APVD: M.PAUL 11/12/2019		
GENERAL TOL LINEAR ±0,25MM ANGULAR ±1°	PRODUCT SPEC:	NAME: SCREEN TERMINATION BAND	
	APPLICATION SPEC:	SIZE: A4	CAGE CODE: U5792
	WEIGHT:	DRAWING NO: C-P35877	RESTRICTED TO:
	CUSTOMER DRAWING	SCALE: 1:5	SHEET: 2 OF 3

REVISIONS

PART NUMBER	DESCRIPTION	BAND SLOT WIDTH (MM)	VISUALISATION
M81306/1-02	PRE-CALIBRATED HAND TOOL FOR ONE STEP MICRO BAND BND-0812S BND-0812P BND-1412S BND-1412P	3,18	
M81306/1-01	PRE-CALIBRATED HAND TOOL FOR ONE STEP STANDARD BANDS BND-1425S BND-1425P	6,35	
M81306/2-02 INCLUDES: - TIGHTENING TOOL - M81306/2-02B - FOLDING TOOL - M81306/2-02D	PRE-CALIBRATED HAND TOOL FOR TWO STEP BAND BND-1012S BND-1012P BND-1212S BND-1212P	3,18	
M81306/2-01 INCLUDES: - TIGHTENING TOOL - M81306/2-01A - FOLDING TOOL - M81306/2-02D	PRE-CALIBRATED HAND TOOL FOR TWO STEP BAND BND-1225S BND-1225P	6,65	

RELEASED FOR PUBLICATION

ALL RIGHTS RESERVED.

BY COPYRIGHT 20



THIS DRAWING IS UNPUBLISHED.

DIMENSIONS: MILLIMETERS	DWN: K.KUTA-WINCZURA 26/11/2019	MATERIAL: 300 SERIES CORROSION RESISTING STEEL	FINISH: PASSIVATED
	CHK: R.STYLES 11/12/2019	TE Connectivity	
TOLERANCES UNLESS OTHERWISE SPECIFIED:	APVD: M.PAUL 11/12/2019		
GENERAL TOL LINEAR $\pm 0,25$ MM ANGULAR $\pm 1^\circ$	PRODUCT SPEC:	NAME: SCREEN TERMIANTION BAND	
	APPLICATION SPEC:	SIZE: A4	CAGE CODE: U5792
	WEIGHT:	DRAWING NO: C-P35877	RESTRICTED TO
	CUSTOMER DRAWING	SCALE: 1:5	SHEET: 3 OF 3
			REV: AA