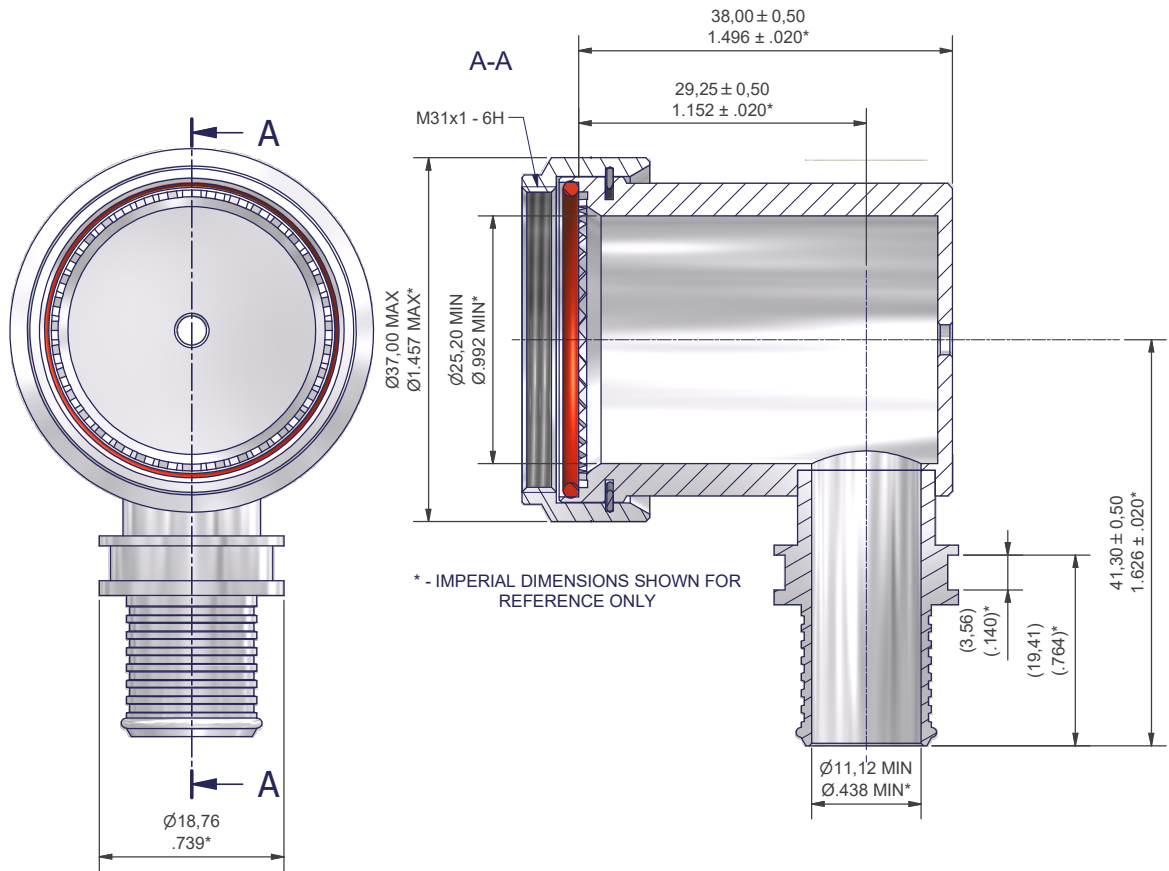


PART MARK HERE



CUSTOMER APPROVAL			
COMPANY	NAME	SIGNATURE	DATE
MOOG			01/07/2016

PART NUMBER	PART MARKING	SUPPLY CONDITION
BNS105AC90-2007A	BNS105AC90-2007A	WITH BAND
BNS105AC90-2007AX	BNS105AC90-2007A	WITHOUT BAND

ORDERS CANNOT BE PLACED AGAINST ALPHA ISSUED DRAWINGS.  
ON RECEIPT OF CUSTOMER APPROVAL, THE DRAWING STATUS WILL BE RAISED TO ISSUE 1.

<table border="1"> <tr> <td>DRAWN</td> <td>K.WINCZURA</td> <td>DATE</td> <td>11/01/2016</td> </tr> <tr> <td>SALES APPR</td> <td></td> <td>DATE</td> <td>11/01/2016</td> </tr> <tr> <td>DESIGN APPR</td> <td>K.SHEPPARD</td> <td>DATE</td> <td>11/01/2016</td> </tr> <tr> <td>PROD APPR</td> <td>K.SMITH</td> <td>DATE</td> <td>11/01/2016</td> </tr> <tr> <td>QUAL APPR</td> <td>N.EGAN</td> <td>DATE</td> <td>11/01/2016</td> </tr> <tr> <td>ISSUE</td> <td>REV.</td> <td>DCR</td> <td></td> </tr> <tr> <td>4</td> <td></td> <td>6167</td> <td></td> </tr> <tr> <td colspan="4">TE CAGE CODE: 06090</td> </tr> <tr> <td colspan="4">POLAMCO/TE CAGE CODE: U5792</td> </tr> </table>	DRAWN	K.WINCZURA	DATE	11/01/2016	SALES APPR		DATE	11/01/2016	DESIGN APPR	K.SHEPPARD	DATE	11/01/2016	PROD APPR	K.SMITH	DATE	11/01/2016	QUAL APPR	N.EGAN	DATE	11/01/2016	ISSUE	REV.	DCR		4		6167		TE CAGE CODE: 06090				POLAMCO/TE CAGE CODE: U5792				<p>3RD ANGLE PROJECTION NOT TO SCALE</p> <p>UNLESS OTHERWISE SPECIFIED ALL DIMENSIONS IN MILLIMETRES</p> <p>GENERAL TOL LINEAR +/- 0,25MM ANGULAR +/- 1°</p> <p>MATERIAL ALUMINIUM ALLOY</p> <p>FINISH ELECTROLESS NICKEL</p>	<p>PART NUMBER: <b>BNS105AC90-2007A</b></p> <p>TITLE: <b>BANDING BACKSHELL</b></p> <p>ASSY USED ON: MIL-DTL-38999 SERIES III &amp; IV</p>	<p>THIS DRAWING IS COPYRIGHT AND THE PROPERTY OF POLAMCO LTD IT MUST NOT BE COPIED, USED FOR MANUFACTURE OR OTHERWISE DISCLOSED WITHOUT PRIOR WRITTEN CONSENT OF THE COMPANY.</p>	<p>POLAMCO LTD, WESTON LOCK, LOWER BRISTOL ROAD BATH BA2 1EP</p>	<p>SHT <b>1</b></p>	<p>DRAWING NO: <b>P35707</b></p>
DRAWN	K.WINCZURA	DATE	11/01/2016																																							
SALES APPR		DATE	11/01/2016																																							
DESIGN APPR	K.SHEPPARD	DATE	11/01/2016																																							
PROD APPR	K.SMITH	DATE	11/01/2016																																							
QUAL APPR	N.EGAN	DATE	11/01/2016																																							
ISSUE	REV.	DCR																																								
4		6167																																								
TE CAGE CODE: 06090																																										
POLAMCO/TE CAGE CODE: U5792																																										