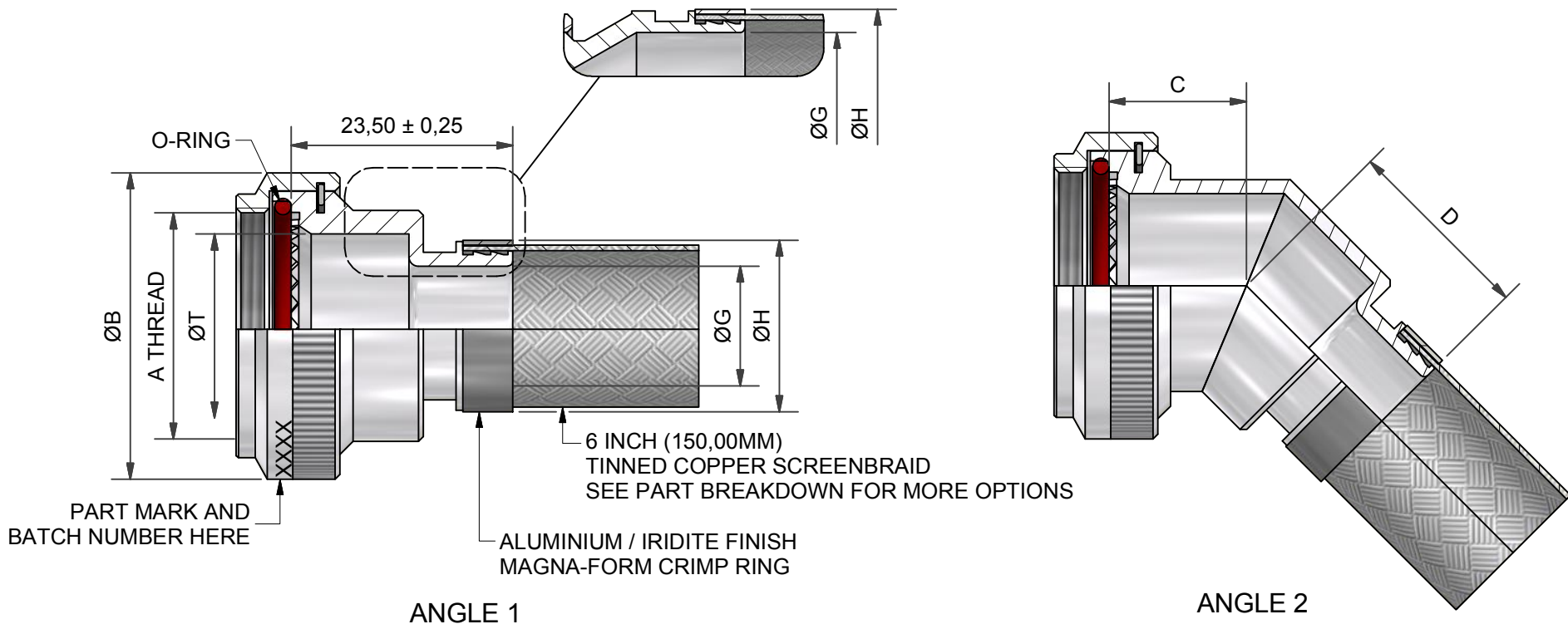
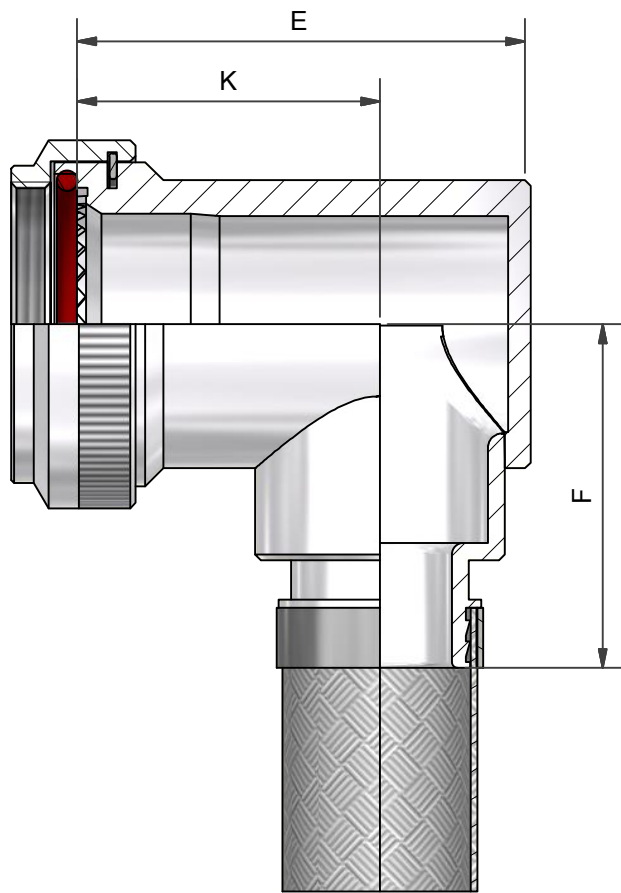


ALTERNATIVE PROFILE
INTERNAL PROFILE MAY VARY

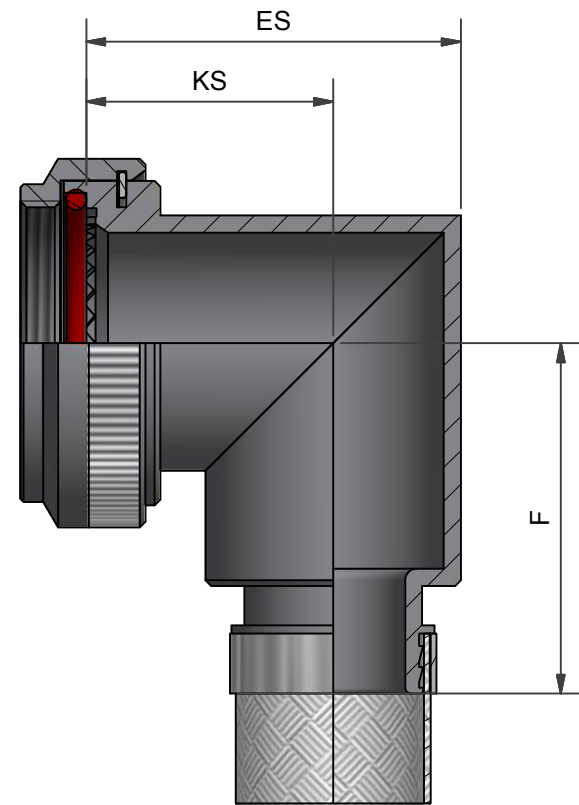


ANGLE 1

ANGLE 2



90° BACKSHELL - ANGLE 3
ALUMINIUM ALLOY



90° BACKSHELL - ANGLE 3
STAINLESS STEEL AND
NICKEL ALUMINIUM BRONZE

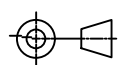


DRAWN		DATE		 3RD ANGLE PROJECTION NOT TO SCALE	PART NUMBER:			<h1 style="text-align: center;">70H SERIES</h1>			 Polamco	
K.WINCZURA		25/04/2018			TITLE:							<h2 style="text-align: center;">BRAID TAIL BACKSHELL</h2>
DESIGN APPROVAL		DATE		UNLESS OTHERWISE SPECIFIED ALL DIMENSIONS IN MILLIMETRES GENERAL TOL LINEAR +/-0,25MM ANGULAR +/- 1°	ASSY USED ON: MIL-CTL-38999 SERIES III & IV			 TE connectivity				
K.SHEPPARD		18/09/2013			MATERIAL SEE PART NUMBER BREAKDOWN				THIS DRAWING IS COPYRIGHT AND THE PROPERTY OF POLAMCO LTD IT MUST NOT BE COPIED, USED FOR MANUFACTURE OR OTHERWISE DISCLOSED WITHOUT PRIOR WRITTEN CONSENT OF THE COMPANY.			POLAMCO LTD, WESTON LOCK, LOWER BRISTOL ROAD BATH BA2 1EP
DOC TYPE	Customer Drawing			FINISH SEE PART NUMBER BREAKDOWN			NCAGE CODE U5792		WEIGHT	N/A		
ISSUE/REV	CA	DCR	6777									

TABLE 1

SHELL SIZE	A THREAD	ØB MAX	ØT MIN	C MAX	D ±0,5	E MAX	F MAX	K ±0,5	ES MAX	KS ±0,5
09	M12 x 1.0	18,0	6,7	13,1	17,1	25,7	24,0	17,5	21,5	16,3
11	M15 x 1.0	21,0	10,2	13,9	18,2	26,7	25,7	17,5	24,6	17,2
13	M18 x 1.0	24,5	13,5	14,5	18,6	31,2	27,2	20,0	28,6	19,4
15	M22 x 1.0	29,0	16,2	15,5	19,5	37,2	28,7	24,5	31,3	21,0
17	M25 x 1.0	32,5	19,4	16,1	20,3	40,2	30,4	26,7	34,5	22,8
19	M28 x 1.0	35,5	21,8	16,8	20,8	44,7	32,0	27,0	38,7	25,3
21	M31 x 1.0	37,0	25,1	17,1	21,7	49,2	33,6	30,5	41,0	26,1
23	M34 x 1.0	40,0	28,2	17,7	22,0	51,7	35,1	31,5	43,9	27,6
25	M37 x 1.0	43,5	31,4	18,4	22,9	53,2	36,6	28,5	46,7	29,1

TABLE 2

ENTRY SIZE	ØG MIN	ØH MAX
03	4,77	13,60
04	6,35	13,60
05	7,92	13,60
06	9,52	18,40
07	11,12	18,40
08	12,70	18,40
09	14,27	18,40
10	15,87	24,70
11	17,47	24,70
12	19,05	24,70
13	20,62	24,70
14	22,23	31,10
15	23,82	31,10
16	25,40	31,10
17	26,98	33,70
18	28,60	33,70
19*	30,20	36,90
20**	31,80	42,50
21**	33,34	42,50
22**	35,00	42,50
24*	38,10	42,50

TABLE 3

CODE	MATERIAL / FINISH
1-C	ALUMINIUM / ELECTROLESS NICKEL
1-B	ALUMINIUM / CADMIUM OLIVE DRAB OVER ELECTROLESS NICKEL
1-ZB	ALUMINIUM / ZINC COBALT OLIVE DRAB OVER ELECTROLESS NICKEL
1-ZK	ALUMINIUM / ZINC COBALT BLACK OVER ELECTROLESS NICKEL
1-ZN	ALUMINIUM / ZINC NICKEL BLACK PASSIVATE OVER ELECTROLESS NICKEL
4-J	STAINLESS STEEL / PASSIVATE
2-Z	NICKEL ALUMINIUM BRONZE / SHOT BLAST

SEE SS0076 FOR FULL RANGE OF FINISH OPTIONS

TABLE 4

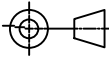


SUFFIX	MODIFICATION OPTIONS
-DB	DOUBLE BRAID
-N	NICKEL PLATED BRAID
-12	NON-STANDARD BRAID LENGTH (IN INCHES)

* - NOT AVAILABLE IN DB MODIFICATION

** - ADD 2,10 TO F MAX FOR DB MODIFICATION
ADD 0,80 TO ØH FOR DB MODIFICATION

70H1-17-08-1-C

SERIES _____
CONNECTOR INTERFACE _____
ANGLE _____
SHELL SIZE (TABLE 1) _____
ENTRY SIZE (TABLE 2) _____
MATERIAL AND FINISH (TABLE 3) _____
BRAID TAIL MODIFICATION (SEE TABLE 4) _____
OMIT FOR STANDARD (6 INCH SINGLE LAYER TINNED COPPER)

DRAWN		DATE		 3RD ANGLE PROJECTION NOT TO SCALE	PART NUMBER:		70H SERIES		 Polamco
K.WINCZURA		25/04/2018			TITLE:		BRAID TAIL BACKSHELL		
DESIGN APPROVAL		DATE		<small>UNLESS OTHERWISE SPECIFIED ALL DIMENSIONS IN MILLIMETRES GENERAL TOL LINEAR +/-0,25MM ANGULAR +/- 1°</small>	ASSY USED ON: MIL-CTL-38999 SERIES III & IV		 TE connectivity		
K.SHEPPARD		18/09/2013			THIS DRAWING IS COPYRIGHT AND THE PROPERTY OF POLAMCO LTD IT MUST NOT BE COPIED, USED FOR MANUFACTURE OR OTHERWISE DISCLOSED WITHOUT PRIOR WRITTEN CONSENT OF THE COMPANY.			POLAMCO LTD, WESTON LOCK, LOWER BRISTOL ROAD BATH BA2 1EP	
DOC TYPE	Customer Drawing			MATERIAL	SEE PART NUMBER BREAKDOWN			SHT	DRAWING NO:
ISSUE/REV	CA	DCR	6777	FINISH	SEE PART NUMBER BREAKDOWN				
NCAGE CODE U5792		WEIGHT N/A		POLAMCO LTD, WESTON LOCK, LOWER BRISTOL ROAD BATH BA2 1EP		2		P29235	