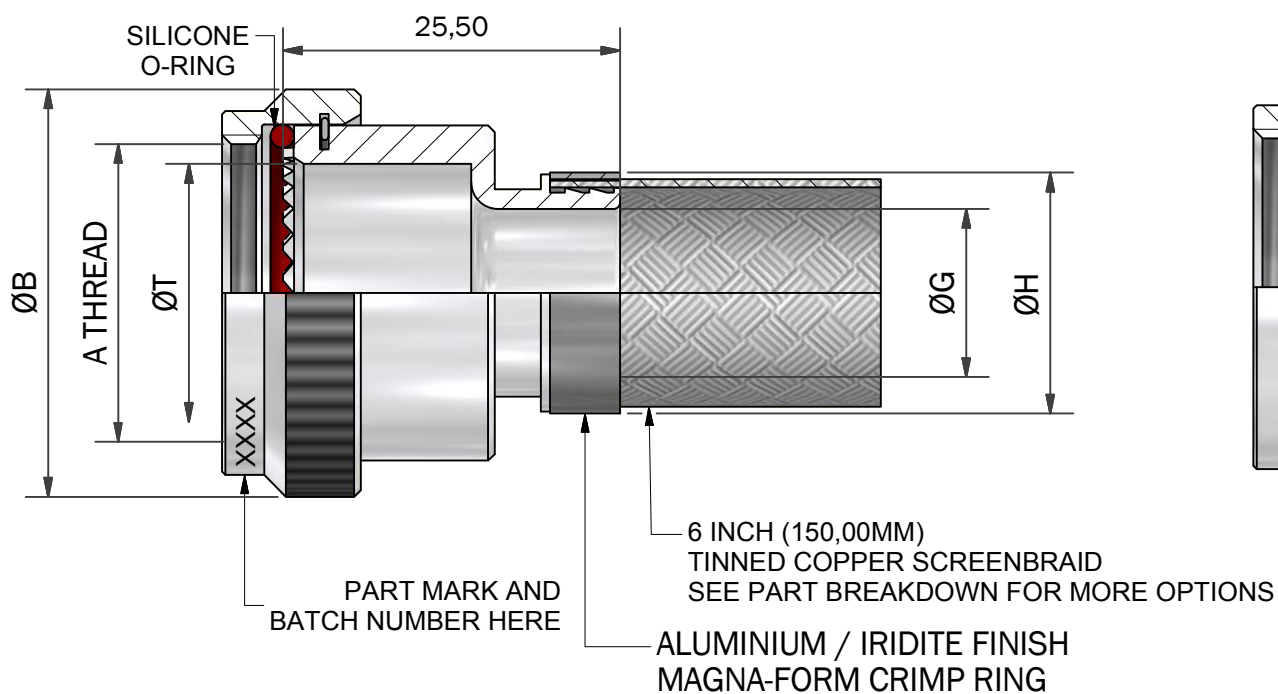
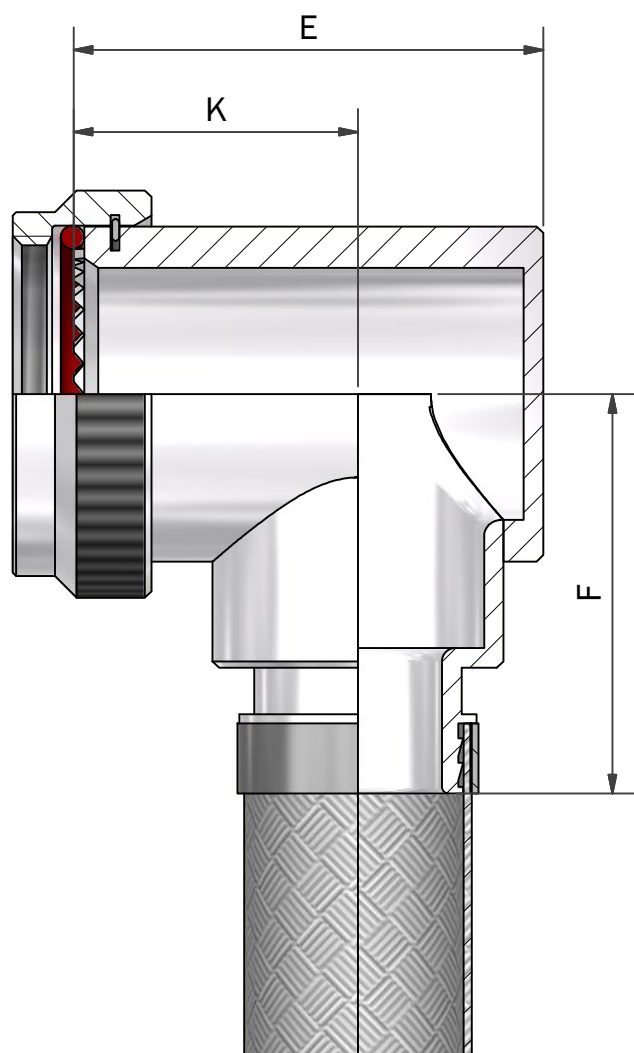
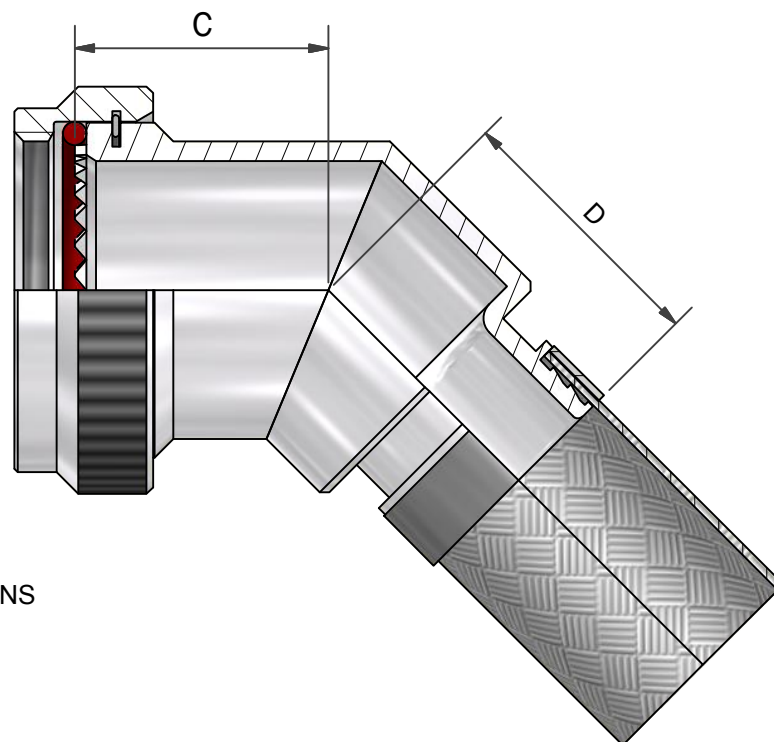


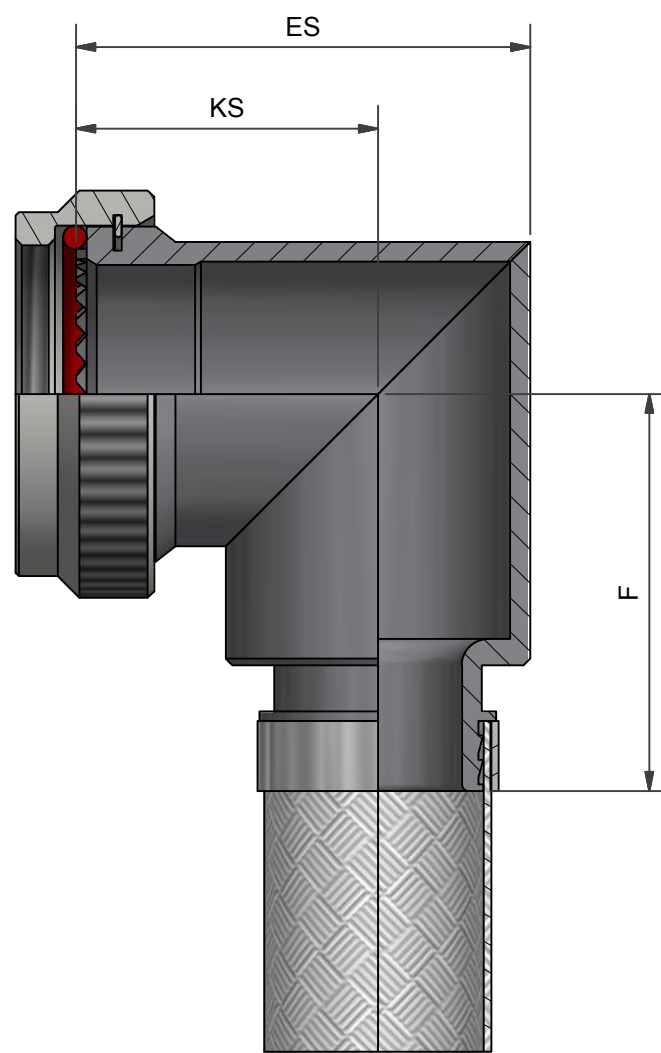
ANGLE 1



ANGLE 2



90° BACKSHELL - ANGLE 3
ALUMINIUM ALLOY



90° BACKSHELL - ANGLE 3
STAINLESS STEEL AND
NICKEL ALUMINIUM BRONZE

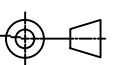


DRAWN		DATE		 3RD ANGLE PROJECTION NOT TO SCALE	PART NUMBER:			70F SERIES			 Polamco
J.CLARK		06/07/2018			TITLE:						
DESIGN APPROVAL		DATE		UNLESS OTHERWISE SPECIFIED ALL DIMENSIONS IN MILLIMETRES GENERAL TOL LINEAR +/-0,25MM ANGULAR +/- 1°	ASSY USED ON: MIL-DTL-38999 SERIES II			 TE connectivity			
K.SHEPPARD		17/12/2010			MATERIAL						THIS DRAWING IS COPYRIGHT AND THE PROPERTY OF POLAMCO LTD IT MUST NOT BE COPIED, USED FOR MANUFACTURE OR OTHERWISE DISCLOSED WITHOUT PRIOR WRITTEN CONSENT OF THE COMPANY.
DOC TYPE	Customer Drawing			SEE PART NUMBER BREAKDOWN			POLAMCO LTD, WESTON LOCK, LOWER BRISTOL ROAD BATH BA2 1EP				
ISSUE/REV	DA	DCR	6361	FINISH						SHT 1	
NCAGE CODE U5792		WEIGHT N/A		SEE PART NUMBER BREAKDOWN			DRAWING NO:				
							P11210				

TABLE 1

SHELL SIZE	A THREAD	ØB MAX	ØT MIN	C ±0,5	D MAX	E MAX	F MAX	K ±0,5	ES MAX	KS ±0,5
08	7/16-28 UNEF	18,3	6,6	16,4	17,1	22,7	24,0	15,0	21,3	16,4
10	9/16-24 UNEF	21,5	10,1	17,2	18,2	26,2	25,7	17,0	24,4	17,3
12	11/16-24 UNEF	24,5	12,9	17,6	18,6	29,2	27,2	18,0	28,4	19,5
14	13/16-20 UNEF	27,8	16,1	18,5	19,5	32,2	28,7	20,0	31,2	21,0
16	15/16-20 UNEF	30,8	19,3	20,2	20,3	35,7	30,4	21,5	34,3	22,8
18	1 1/16-18 UNEF	34,1	21,7	19,6	20,8	39,7	32,0	23,0	38,6	25,3
20	1 3/16-18 UNEF	37,3	24,9	20,4	21,7	42,2	33,6	25,0	40,8	26,1
22	1 5/16-18 UNEF	40,5	28,1	20,8	22,0	45,2	35,1	26,0	43,8	27,6
24	1 7/16-18 UNEF	43,7	31,3	21,7	22,9	48,2	36,6	28,0	46,5	29,1

TABLE 2

ENTRY SIZE	ØG MIN	ØH MAX
03	4,77	13,60
04	6,35	13,60
05	7,92	13,60
06	9,52	18,40
07	11,12	18,40
08	12,70	18,40
09	14,27	18,40
10	15,87	24,70
11	17,47	24,70
12	19,05	24,70
13	20,62	24,70
14	22,23	31,10
15	23,82	31,10
16	25,40	31,10
17	26,98	33,70
18	28,60	33,70
19*	30,20	36,90
20**	31,80	42,50
21**	33,34	42,50
22**	35,00	42,50
24*	38,10	42,50

TABLE 3

CODE	MATERIAL / FINISH
1-C	ALUMINIUM / ELECTROLESS NICKEL
1-B	ALUMINIUM / CADMIUM OLIVE DRAB OVER ELECTROLESS NICKEL
1-ZB	ALUMINIUM / ZINC COBALT OLIVE DRAB OVER ELECTROLESS NICKEL
1-ZK	ALUMINIUM / ZINC COBALT BLACK OVER ELECTROLESS NICKEL
1-ZN	ALUMINIUM / ZINC NICKEL BLACK PASSIVATE OVER ELECTROLESS NICKEL
4-J	STAINLESS STEEL / PASSIVATE
2-Z	NICKEL ALUMINIUM BRONZE / SHOT BLAST

SEE SS0076 FOR FULL RANGE OF FINISH OPTIONS

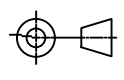


TABLE 4

SUFFIX	MODIFICATION OPTIONS
-DB	DOUBLE BRAID
-N	NICKEL PLATED BRAID
-12	NON-STANDARD BRAID LENGTH (IN INCHES)

* - NOT AVAILABLE IN DB MODIFICATION
 ** - ADD 2,10 TO F MAX FOR DB MODIFICATION

70F1-16-08-1-C

SERIES _____
 CONNECTOR INTERFACE _____
 ANGLE _____
 SHELL SIZE (TABLE 1) _____
 ENTRY SIZE (TABLE 2) _____
 MATERIAL (TABLE 3) _____
 FINISH (TABLE 3) _____
 BRAID TAIL MODIFICATION (TABLE 4) _____
 OMIT FOR STANDARD (6" SINGLE LAYER TINNED COPPER)

DRAWN		DATE		 3RD ANGLE PROJECTION NOT TO SCALE	PART NUMBER:			 70F SERIES								
J.CLARK		06/07/2018			TITLE:						BRAID TAIL BACKSHELL					
DESIGN APPROVAL		DATE		UNLESS OTHERWISE SPECIFIED ALL DIMENSIONS IN MILLIMETRES GENERAL TOL LINEAR +/-0,25MM ANGULAR +/- 1°				ASSY USED ON: MIL-DTL-38999 SERIES II						 POLAMCO LTD, WESTON LOCK, LOWER BRISTOL ROAD, BATH BA2 1EP		
K.SHEPPARD		17/12/2010			THIS DRAWING IS COPYRIGHT AND THE PROPERTY OF POLAMCO LTD IT MUST NOT BE COPIED, USED FOR MANUFACTURE OR OTHERWISE DISCLOSED WITHOUT PRIOR WRITTEN CONSENT OF THE COMPANY.						SHT 2					
DOC TYPE	Customer Drawing															
ISSUE/REV	DA	DCR	6361	MATERIAL		SEE PART NUMBER BREAKDOWN										
NCAGE CODE U5792		WEIGHT N/A		FINISH		SEE PART NUMBER BREAKDOWN										