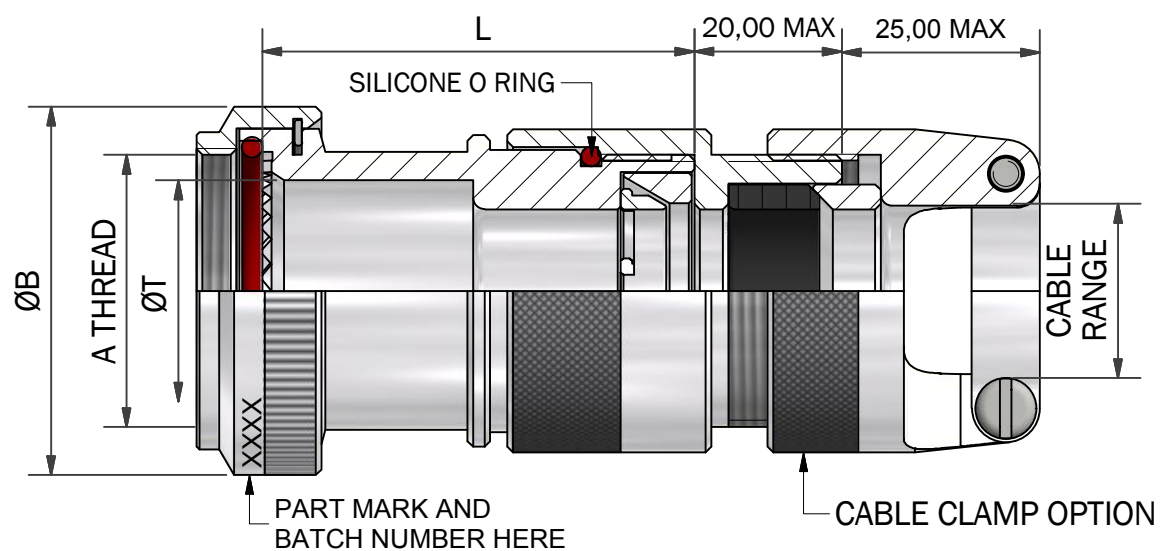
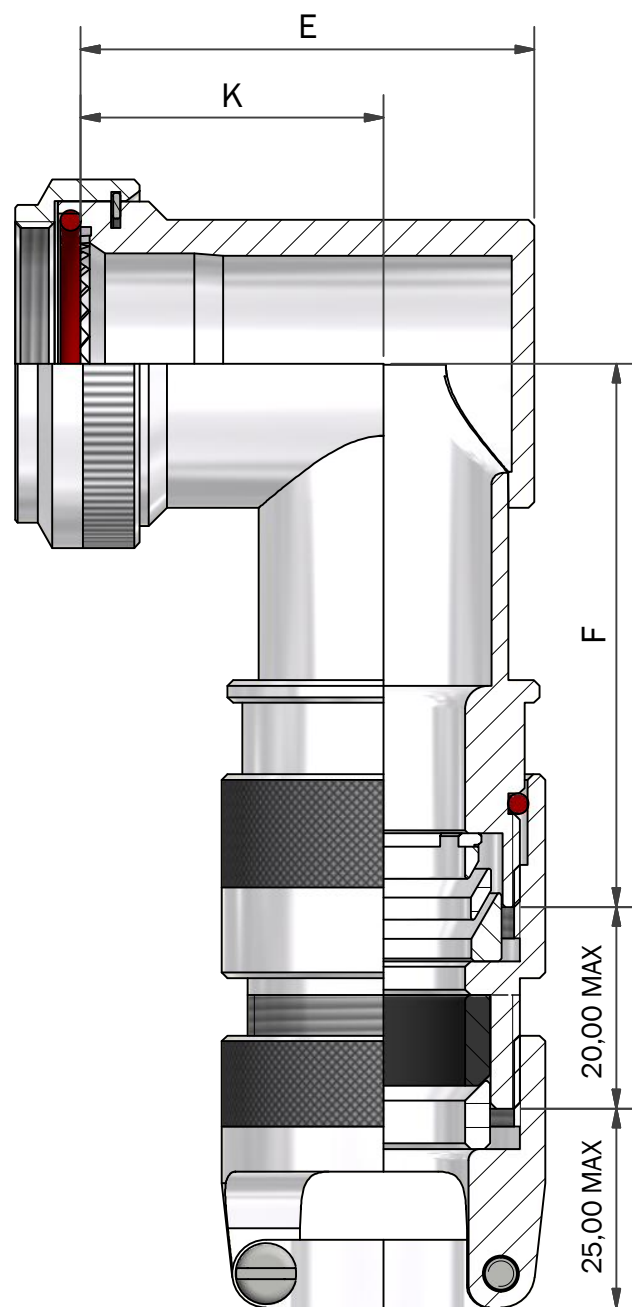
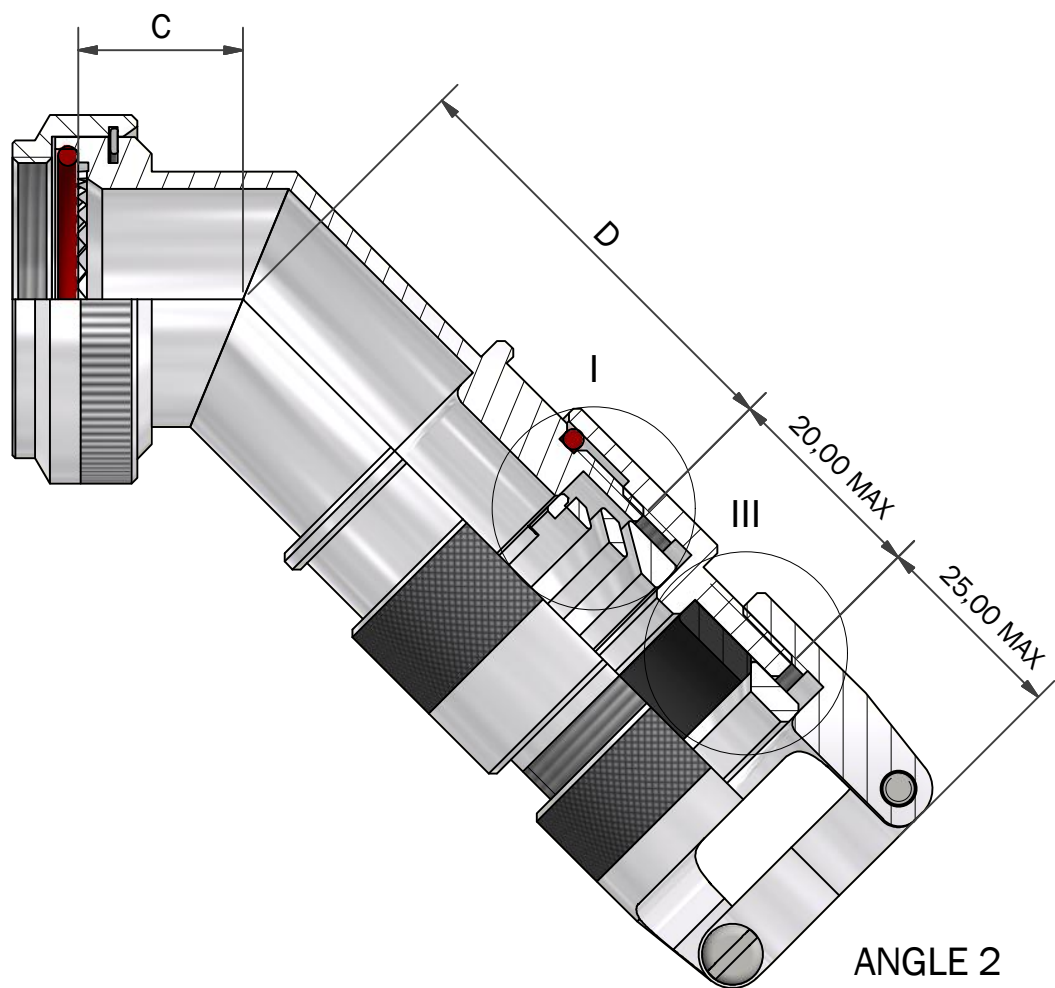
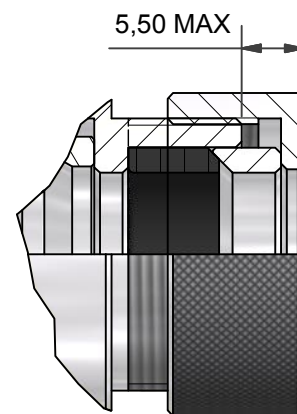


ANGLE 1

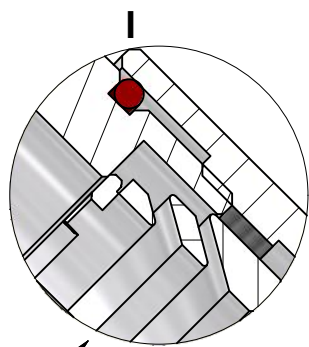


PLAIN NUT OPTION

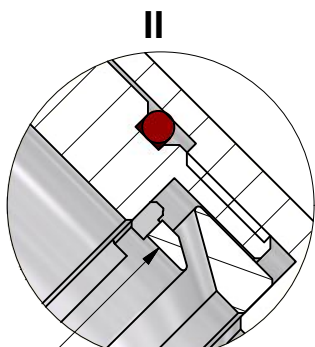


ANGLE 2

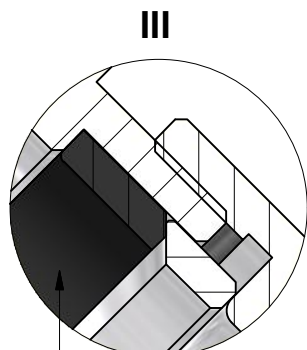
ANGLE 3



TRIPLE GROUNDING CONE OPTION

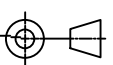


DUAL GROUNDING CONE OPTION



SILICONE CABLE SEALING GROMMET

DRAWN		DATE	
J.CLARK		25/02/2008	
DESIGN APPROVAL		DATE	
K.SHEPPARD		28/12/2010	
DOC TYPE	Customer Drawing		
ISSUE/REV	DCR		
AA	---		
NCAGE CODE U5792	WEIGHT N/A		

 <p>3RD ANGLE PROJECTION NOT TO SCALE</p>	UNLESS OTHERWISE SPECIFIED ALL DIMENSIONS IN MILLIMETRES
	GENERAL TOL LINEAR +/-0,25MM ANGULAR +/- 1°
	MATERIAL SEE PART NUMBER BREAKDOWN
FINISH SEE PART NUMBER BREAKDOWN	

PART NUMBER:		36H SERIES	
TITLE:			
RFI/EMI CABLE SEALING ADAPTOR			
ASSY USED ON: MIL-DTL-38999 SERIES III & IV		RESTRICTED TO:	
THIS DRAWING IS COPYRIGHT AND THE PROPERTY OF POLAMCO LTD IT MUST NOT BE COPIED, USED FOR MANUFACTURE OR OTHERWISE DISCLOSED WITHOUT PRIOR WRITTEN CONSENT OF THE COMPANY.		POLAMCO LTD, WESTON LOCK, LOWER BRISTOL ROAD BATH BA2 1EP	SHT 1



Polamco



TE connectivity

DRAWING NO: P10761

TABLE 1

SHELL SIZE	A THREAD	ØB MAX	MAX ENTRY	ØT MIN	C MAX	D MAX	E MAX	F MAX	K ±0,5
09	M12 x 1.0	18,0	-	6,7	13,1	35,8	25,7	36,1	17,5
11	M15 x 1.0	21,0	04	10,2	13,9	37,3	26,7	39,1	17,5
13	M18 x 1.0	24,5	06	13,5	14,5	38,9	31,2	39,6	20,0
15	M22 x 1.0	29,0	10	16,2	15,5	41,1	37,2	41,4	24,5
17	M25 x 1.0	32,5	12	19,4	16,1	43,9	40,2	48,0	26,7
19	M28 x 1.0	35,5	12	21,8	16,8	48,8	44,7	50,8	27,0
21	M31 x 1.0	37,0	16	25,1	17,1	50,1	49,2	50,8	30,5
23	M34 x 1.0	40,0	16	28,2	17,7	52,6	51,7	50,8	31,5
25	M37 x 1.0	43,5	16	31,4	18,4	54,0	53,2	50,8	28,5

IF MAX ENTRY IS EXCEEDED, ADAPTOR ASSEMBLY IS SUPPLIED AS STYLE 2 (T2 DOES NOT FEATURE IN THE PART NUMBER) IN WHICH CASE DIMENSIONS C, D, E, F & K DO NOT APPLY AND MIN L IS L3

TABLE 2

ENTRY SIZE	CABLE RANGE
04	3,2 - 7,9
06	6,4 - 11,1
08	9,8 - 14,3
10	8,9 - 15,9
12	12,7 - 19,1
16	15,9 - 23,8
20	22,2 - 31,8
24	25,4 - 34,9
28	31,8 - 41,3
32	36,5 - 47,6

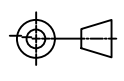
TABLE 3

CODE	FINISH
C	ELECTROLESS NICKEL
B	CADMIUM OLIVE DRAB OVER ELECTROLESS NICKEL
ZB	ZINC COBALT OLIVE DRAB OVER ELECTROLESS NICKEL
ZN	ZINC NICKEL BLACK PASSIVATE OVER ELECTROLESS NICKEL

SEE SS0076 FOR FULL RANGE OF FINISH OPTIONS

36H1-17-08-1-C-CC-L3-T

SERIES _____
 CONNECTOR INTERFACE _____
 ANGLE _____
 SHELL SIZE (TABLE 1) _____
 ENTRY SIZE (TABLE 2) _____
 MATERIAL _____
 ALUMINIUM ALLOY
 FINISH (TABLE 3) _____
 CABLE CLAMP OPTION _____
 OMIT FOR PLAIN NUT
 LENGTH CODE (STRAIGHT ONLY) _____
 1/2" INCREMENTS, MINIMUM L2(=1")
 GROUNDING CONE OPTION _____
 D - DUAL CONE
 T - TRIPLE CONE

DRAWN		DATE		 3RD ANGLE PROJECTION NOT TO SCALE	PART NUMBER:				36H SERIES			
J.CLARK		25/02/2008			TITLE:				RFI/EMI CABLE SEALING ADAPTOR			
DESIGN APPROVAL		DATE		UNLESS OTHERWISE SPECIFIED ALL DIMENSIONS IN MILLIMETRES GENERAL TOL LINEAR +/-0,25MM ANGULAR +/- 1°								
K.SHEPPARD		28/12/2010		MATERIAL		THIS DRAWING IS COPYRIGHT AND THE PROPERTY OF POLAMCO LTD IT MUST NOT BE COPIED, USED FOR MANUFACTURE OR OTHERWISE DISCLOSED WITHOUT PRIOR WRITTEN CONSENT OF THE COMPANY.		POLAMCO LTD, WESTON LOCK, LOWER BRISTOL ROAD BATH BA2 1EP		SHT		
Customer Drawing		DCR		SEE PART NUMBER BREAKDOWN		DRAWING NO:		2		P10761		
ISSUE/REV AA		---		FINISH		DRAWING NO:		2		P10761		
NCAGE CODE U5792		WEIGHT N/A		SEE PART NUMBER BREAKDOWN								