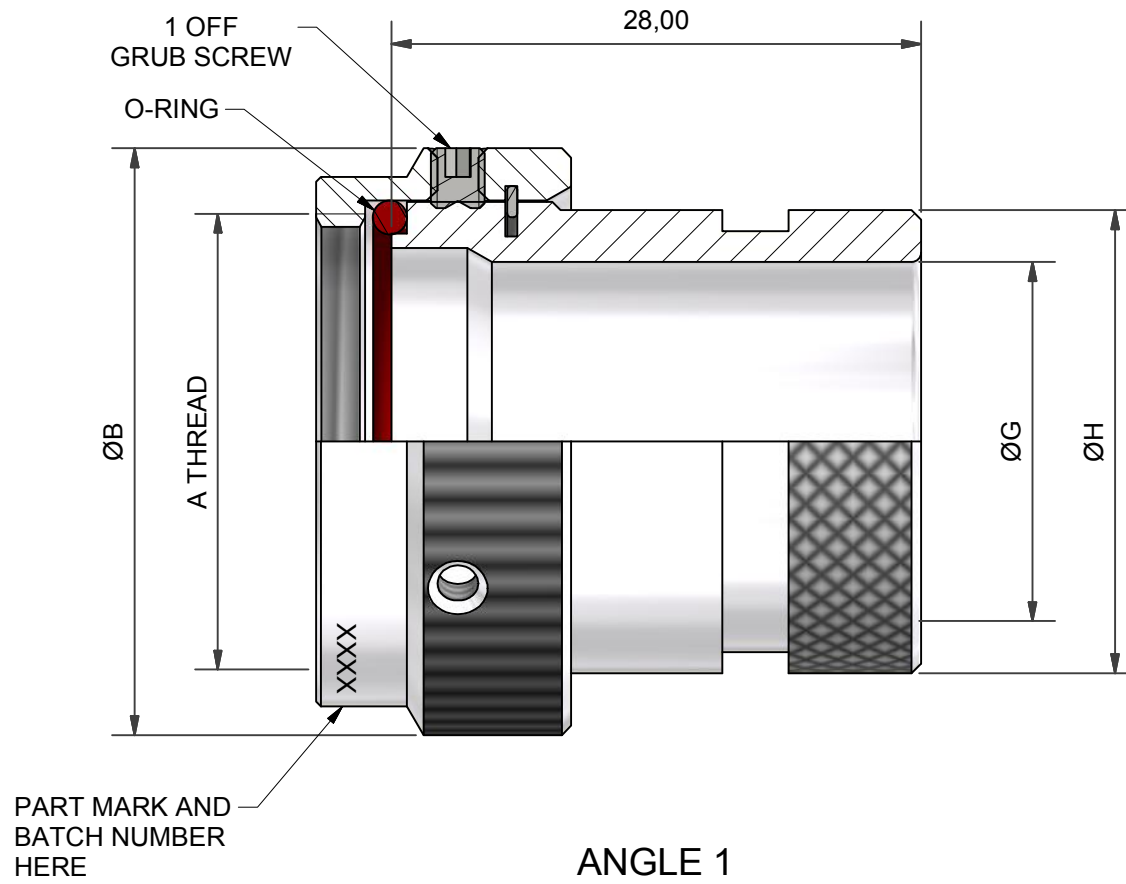
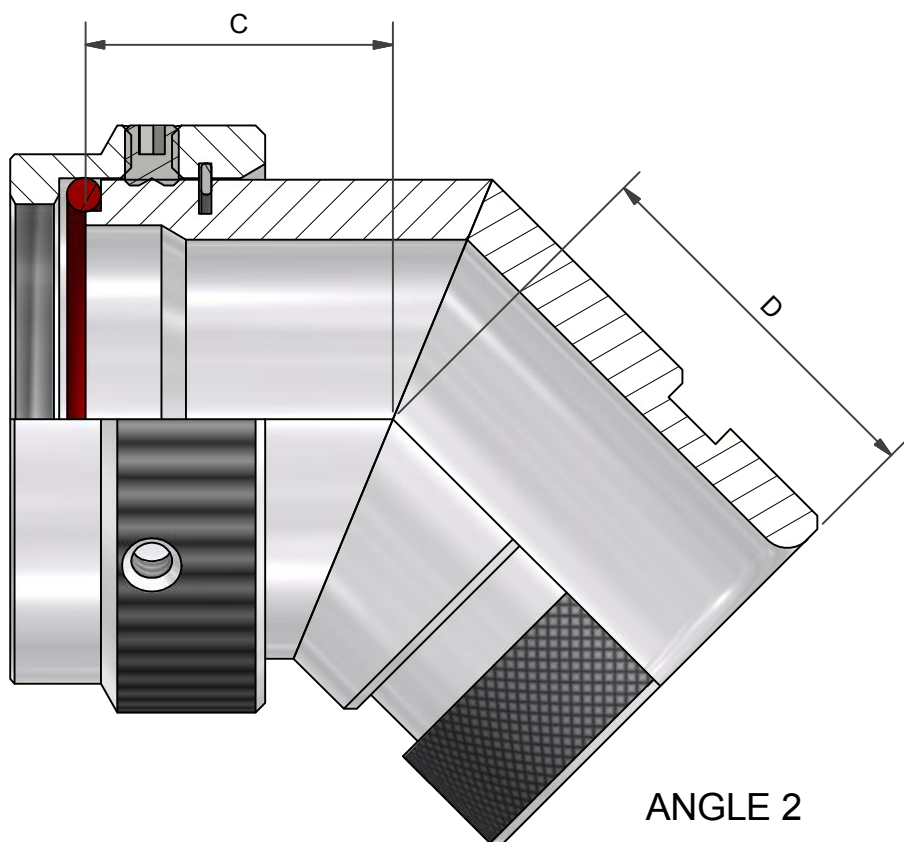


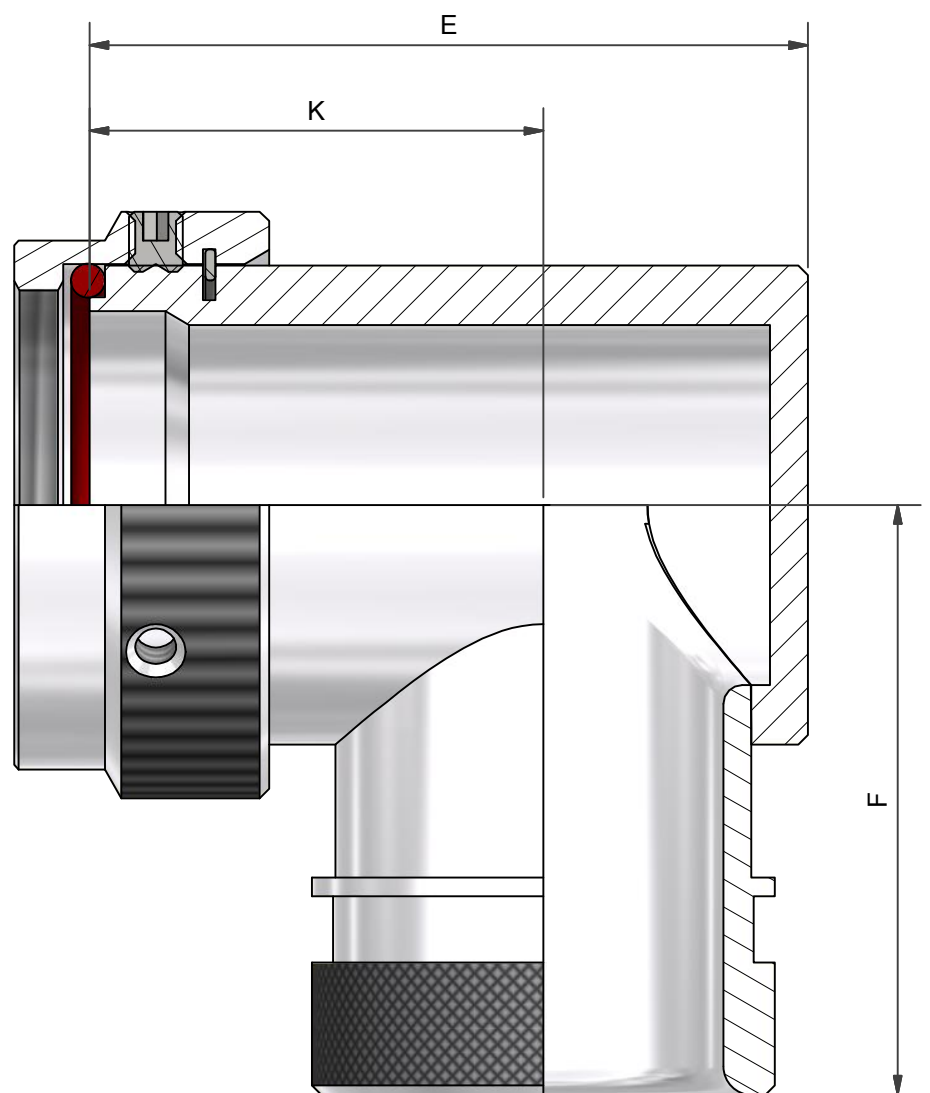
NO ACCESSORY TEETH





ANGLE 1



ANGLE 2



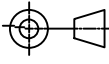


ANGLE 3

DRAWN		DATE		 3RD ANGLE PROJECTION NOT TO SCALE	PART NUMBER:			 Polamco	
K.WINCZURA		19/07/2018			97K SERIES				
DESIGN APPROVAL		DATE		UNLESS OTHERWISE SPECIFIED ALL DIMENSIONS IN MILLIMETRES GENERAL TOL LINEAR +/-0,25MM ANGULAR +/- 1°	TITLE:			 TE connectivity	
K.SHEPPARD		27/02/2012			HEAT SHRINK BOOT BACKSHELL				
DOC TYPE	Customer Drawing				ASSY USED ON: MIL-DTL-26482 SERIES I				
ISSUE/REV	DCR		WEIGHT		THIS DRAWING IS COPYRIGHT AND THE PROPERTY OF POLAMCO LTD IT MUST NOT BE COPIED, USED FOR MANUFACTURE OR OTHERWISE DISCLOSED WITHOUT PRIOR WRITTEN CONSENT OF THE COMPANY.			SHT	DRAWING NO:
CA	6813		N/A						
NCAGE CODE U5792									

SHELL SIZE	A THREAD	ØB MAX	C MAX	D MAX	E MAX	F MAX	ØG	ØH MAX	K ±0,5
08	7/16 -28UNEF	19,3	16,1	17,6	27,5	26,4	7,15	13,5	19,7
10	9/16 -24UNEF	21,3	16,9	18,4	31,0	26,4	9,80	15,5	21,3
12	11/16 -24UNEF	24,3	17,3	19,3	34,0	27,1	13,50	19,5	22,5
14	13/16 -20UNEF	29,2	18,2	19,7	37,0	28,7	15,90	21,5	24,3
16	15/16 -20UNEF	30,8	18,5	20,5	40,4	33,4	19,00	24,5	26,3
18	1 1/16 -18UNEF	33,8	19,3	20,8	43,6	33,5	21,40	26,5	27,8
20	1 3/16 -18UNEF	38,5	20,1	21,6	46,8	33,5	24,60	31,0	29,1
22	1 5/16 -18UNEF	38,5	20,6	22,6	49,8	36,0	27,80	34,5	30,1
24	1 7/16 -18UNEF	42,5	21,4	22,9	52,8	35,8	31,00	36,5	32,1

97K1-16-1-C

SERIES _____
CONNECTOR INTERFACE _____
ANGLE _____
SHELL SIZE _____
MATERIAL (SEE P16019) _____
PLATING (SEE P16019) _____

DRAWN		DATE		 3RD ANGLE PROJECTION NOT TO SCALE	PART NUMBER:			97K SERIES						
K.WINCZURA		19/07/2018			TITLE:			HEAT SHRINK BOOT BACKSHELL						
DESIGN APPROVAL		DATE		<small>UNLESS OTHERWISE SPECIFIED ALL DIMENSIONS IN MILLIMETRES GENERAL TOL LINEAR +/-0,25MM ANGULAR +/- 1°</small>	ASSY USED ON: MIL-DTL-26482 SERIES I			 Polamco 						
K.SHEPPARD		27/02/2012			THIS DRAWING IS COPYRIGHT AND THE PROPERTY OF POLAMCO LTD IT MUST NOT BE COPIED, USED FOR MANUFACTURE OR OTHERWISE DISCLOSED WITHOUT PRIOR WRITTEN CONSENT OF THE COMPANY.						POLAMCO LTD, WESTON LOCK, LOWER BRISTOL ROAD BATH BA2 1EP		SHT	DRAWING NO:
DOC TYPE	Customer Drawing				MATERIAL		SEE PART NUMBER BREAKDOWN				2	P10245		
ISSUE/REV	CA	DCR	6813	FINISH		SEE PART NUMBER BREAKDOWN								
NCAGE CODE U5792		WEIGHT N/A												