

6

5

4

3

2

1

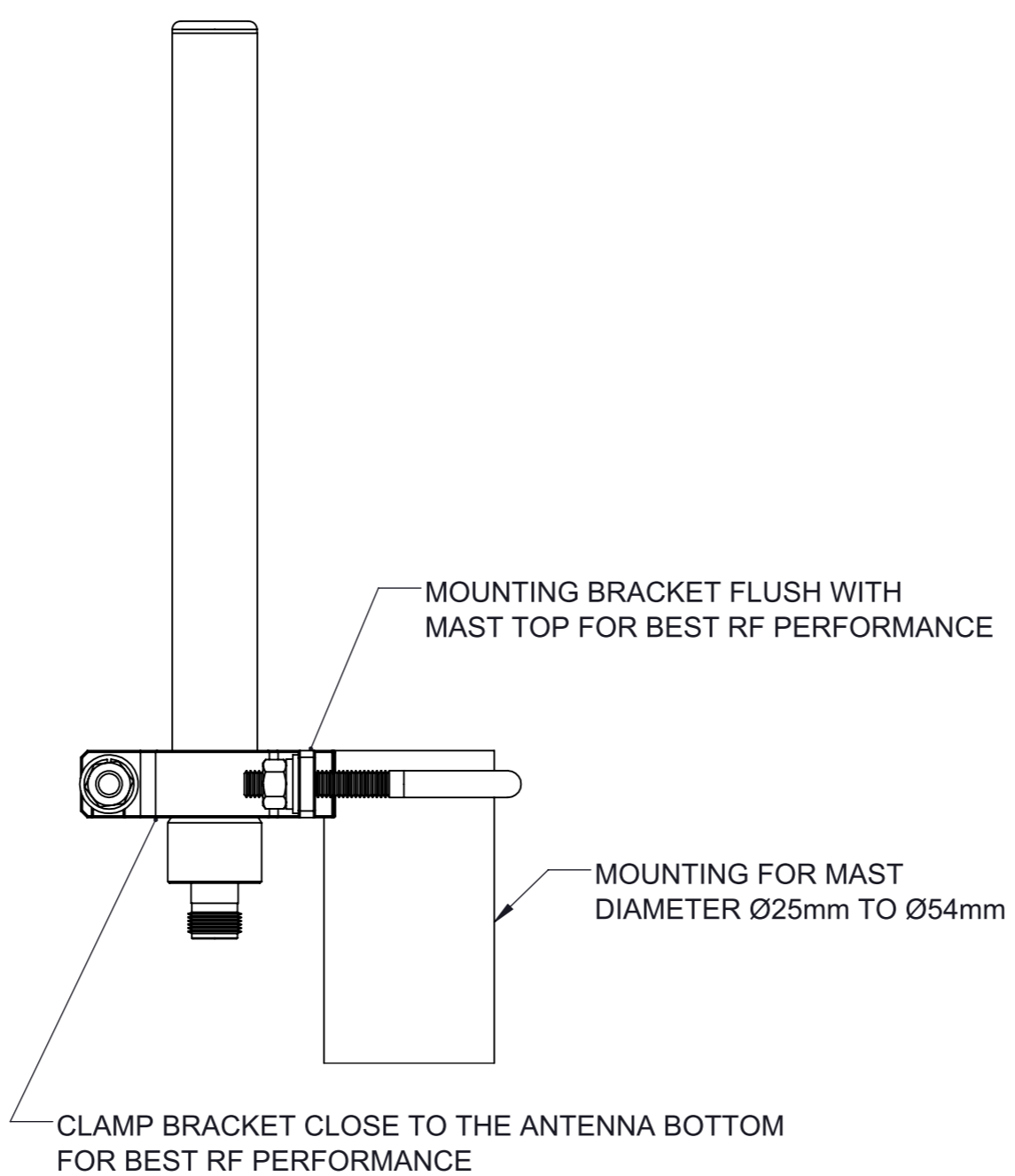
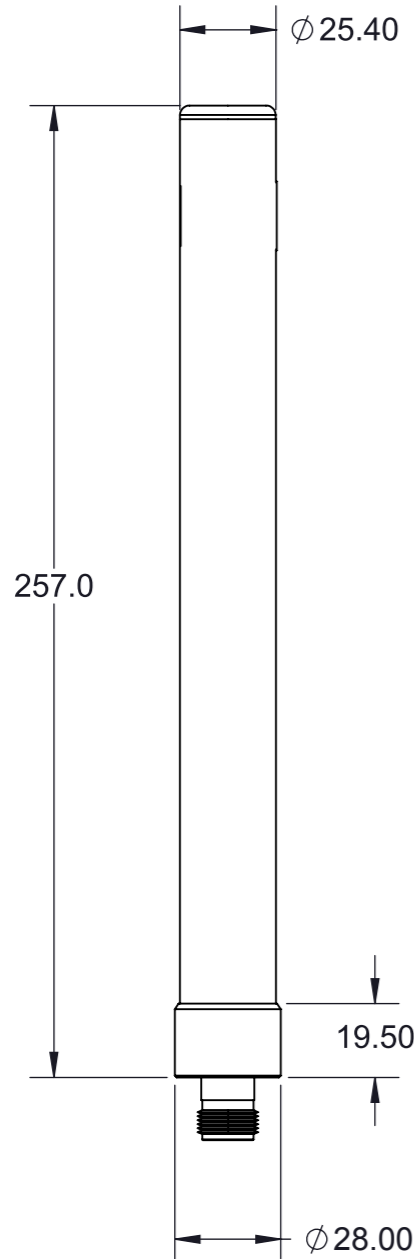
REVISIONS					
REV.	ECN#	ZONE	DESCRIPTION	CHANGED BY/DATE	APPROVED BY/DATE
F01	ECO-18-00461		NEW RELEASE	CYH 31OCT18	WTN 31OCT18

D

C

B

A



Parameter	Performance
Part Number	OC35506P-FNF
Frequency	3550-3700MHz
Gain (Typical/Max) (dBi)	6.2 / 6.8
Polarization	Linear - Vertical
VSWR	1.5:1 MAX
Nominal Impedance	50 Ohm
Power	10W
Weight	122g (0.269lbs) w/o Mounting Kit
Radome	Polycarbonate, UV
Color	White
Operating Temperature	-30 °C ~ +70 °C (-22 °F ~ +158 °F)
Storage Temperature	-40 °C ~ +85 °C (-40 °F ~ +185 °F)
Wind Rating (Operational)	120mph (base on static load by wind at maximum velocity)
Wind Rating (Survival)	136mph (base on static load by wind at maximum velocity)
Ingression Protection	IP67
RoHS Compliance	Yes
RF Connector	Type N, Fixed Female
Mounting	Connector Fixed or Mast Mount Kit

D

C

B

A

THIS DRAWING IS UNPUBLISHED. RELEASED FOR PUBLICATION - , -
 © Copyright 2022 TE Connectivity Ltd. ALL RIGHTS RESERVED.

MATERIAL:		THIRD ANGLE PROJECTION																	
FINISH:		DO NOT SCALE DRAWING																	
<table border="1"> <thead> <tr> <th colspan="2">APPROVALS</th> <th>DATE</th> </tr> </thead> <tbody> <tr> <td>DRAWN BY</td> <td>CY HANG</td> <td>31OCT18</td> </tr> <tr> <td>ELEC. ENG.</td> <td>TH LEE</td> <td>18JUL18</td> </tr> <tr> <td>MECH. ENG.</td> <td>CY HANG</td> <td>18JUL18</td> </tr> <tr> <td>MFG./OPS.</td> <td>MATTHEW</td> <td>18JUL18</td> </tr> </tbody> </table>		APPROVALS		DATE	DRAWN BY	CY HANG	31OCT18	ELEC. ENG.	TH LEE	18JUL18	MECH. ENG.	CY HANG	18JUL18	MFG./OPS.	MATTHEW	18JUL18	INTERPRET DIMENSIONING AND TOLERANCING IN ACCORDANCE WITH ASME Y14.5M-2009 TOLERANCES UNLESS OTHERWISE SPECIFIED DIMENSIONS ARE IN MILLIMETERS ANGLE: ±30' 0 PLACE DECIMAL: ±0.5 1 PLACE DECIMAL: ±0.25 2 PLACE DECIMAL: ±0.13 SURFACE ROUGHNESS 1.6/√	TITLE: <h1>OC35506P-FNF</h1>	
APPROVALS		DATE																	
DRAWN BY	CY HANG	31OCT18																	
ELEC. ENG.	TH LEE	18JUL18																	
MECH. ENG.	CY HANG	18JUL18																	
MFG./OPS.	MATTHEW	18JUL18																	
		SIZE <h2>A3</h2>	DWG. NO. <h2>OC35506P-FNFM0</h2>	REV <h2>F01</h2>															
		SCALE: 1:2	PREVIOUS#	SHEET 1 OF 1															

6

5

4

3

2

1