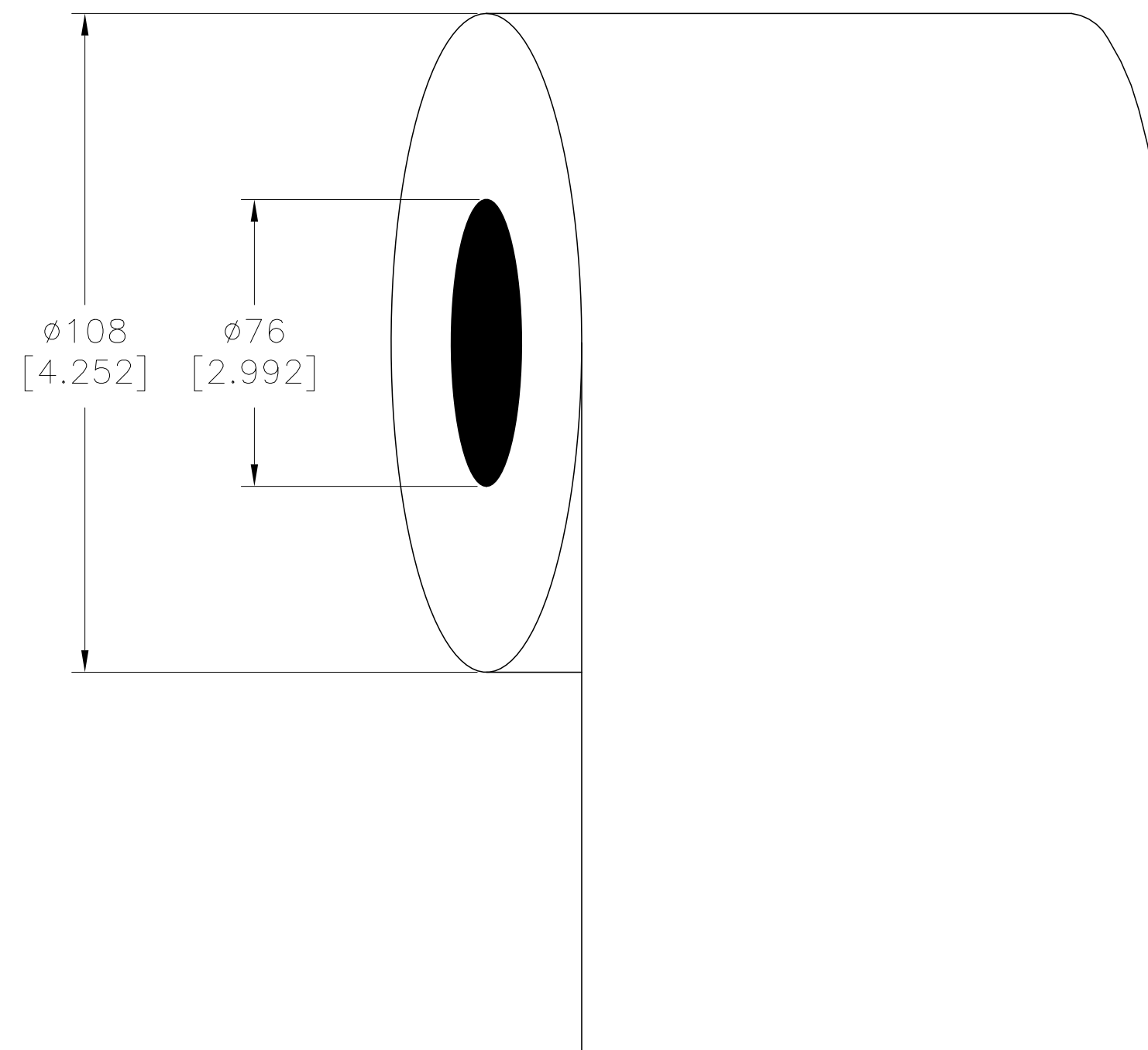
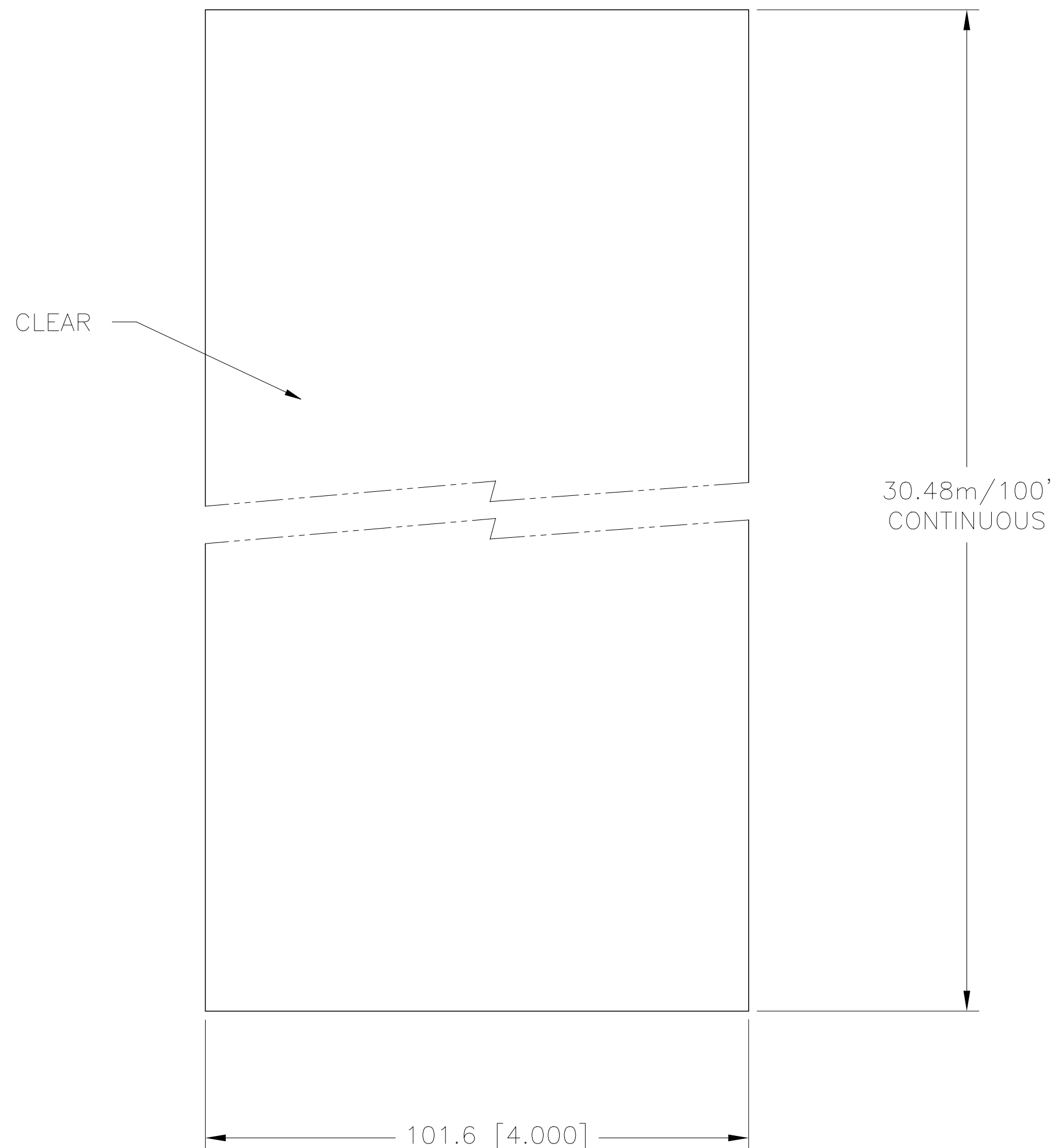


REVISIONS					
P	LTR	DESCRIPTION	DATE	DWN	APVD
	A	NEW DRAWING	31SEP2020	GK	DB

LABEL AND LINER DESIGN

PRESENTATION



All dimensions in mm [Inch]

OUTSIDE WOUND
LABEL ACROSS: 1
PER ROLL QTY: 30.48m / 100 feet

TE PN: C45958-000

MATERIAL	POLYVINYL FLUORIDE (TEDLAR®)
ADHESIVE TYPE	PERMANENT ACRYLIC
LINEAR	WHITE KRAFT

TOLERANCES mm [INCH] LABEL HEIGHT: ±0.3 [.012] LABEL WIDTH: ±0.3 [.012] WEB WIDTH: ±0.8 [.031] VERTICAL REPEAT: ±0.8 [.031]* HORIZONTAL REPEAT: ±0.8 [.031]* PRINT POSITIONING: ±0.8 [.031]* LEFT MARGIN: ±0.4 [.016] QUANTITY: -0 % +2 % *NON ACCUMULATING		THIS DRAWING IS A CONTROLLED DOCUMENT. DIMENSIONS: mm [INCHES] 		TOLERANCES UNLESS OTHERWISE SPECIFIED: 0 PLC ± 1 PLC ± 2 PLC ± 3 PLC ± 4 PLC ± ANGLES ± -		DWN 31SEP2020 GOPALAKRISHNA HV CHK 31SEP2020 D.BURGAT APVD 31SEP2020 D.BURGAT PRODUCT SPEC TTDS-004 APPLICATION SPEC		NAME TEDLAR® LABEL - CLEAR- CONTINUOUS 101.6mm x 30.4m (4inch x 100ft)					
MATERIAL SEE TABLE		FINISH GLOSS		WEIGHT 206g		SIZE A2		CAGE CODE FB1U7		DRAWING NO C=NPVF400CL-100		RESTRICTED TO -	
CUSTOMER DRAWING				SCALE NTS		SHEET 1 of 1		REV A					

NPVF400CL-100