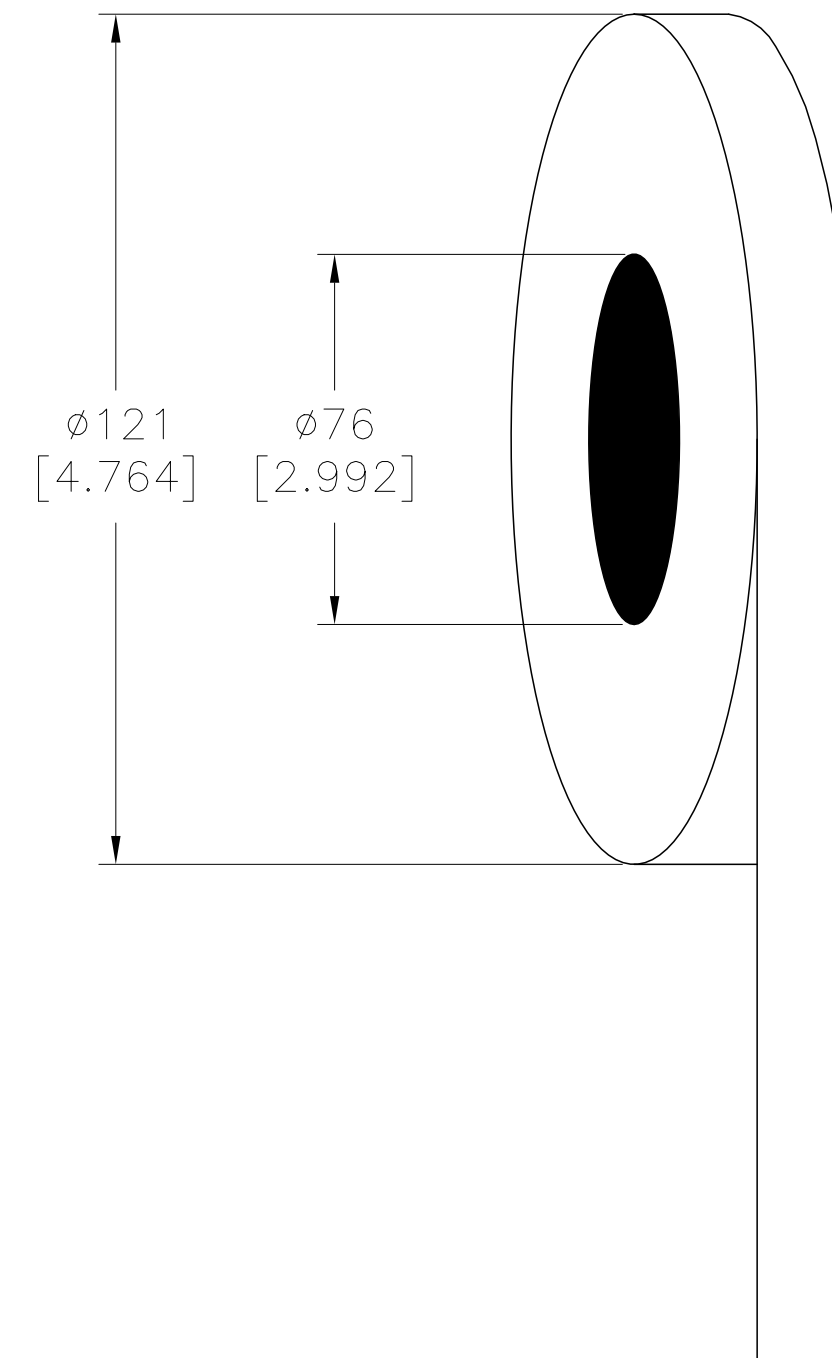
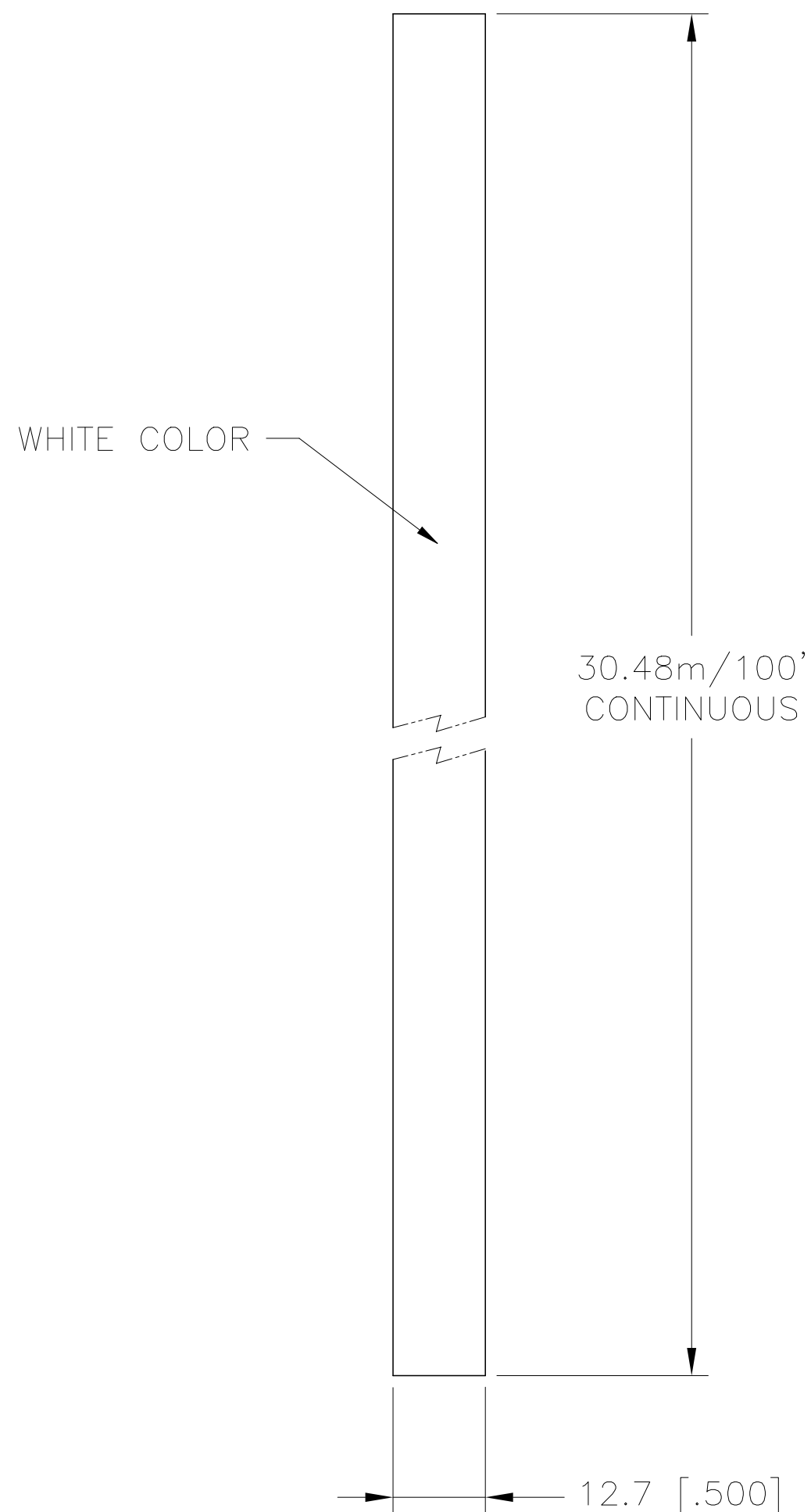


REVISIONS					
P	LTR	DESCRIPTION	DATE	DWN	APVD
	A	NEW DRAWING	31SEP2020	GK	DB

LABEL AND LINER DESIGN

PRESENTATION



All dimensions in mm [Inch]

OUTSIDE WOUND
LABEL ACROSS: 1
PER ROLL QTY: 30.48m / 100 feet

TE PN: 667610-000

TOLERANCES mm [INCH]	
LABEL HEIGHT:	±0.3 [.012]
LABEL WIDTH:	±0.3 [.012]
WEB WIDTH:	±0.8 [.031]
VERTICAL REPEAT:	±0.8 [.031]*
HORIZONTAL REPEAT:	±0.8 [.031]*
PRINT POSITIONING:	±0.8 [.031]*
LEFT MARGIN:	±0.4 [.016]
QUANTITY:	-0 % +2 %
*NON ACCUMULATING	

THIS DRAWING IS A CONTROLLED DOCUMENT.	
DIMENSIONS: mm [INCHES]	TOLERANCES UNLESS OTHERWISE SPECIFIED:
	0 PLC ±
	1 PLC ±
	2 PLC ±
	3 PLC ±
	4 PLC ±
	ANGLES ±
MATERIAL SEE TABLE	FINISH GLOSS

MATERIAL	POLYVINYL FLUORIDE (TEDLAR®)		
ADHESIVE TYPE	PERMANENT ACRYLIC		
LINEAR	BROWN KRAFT		
DWN GOPALAKRISHNA HV 31SEP2020	TE Connectivity		
CHK D.BURGAT 31SEP2020	NAME TEDLAR® LABEL - WHITE - CONTINUOUS 12.7mm x 30.4m (0.5inch x 100ft)		
APVD D.BURGAT 31SEP2020	PRODUCT SPEC TTDS-004		
APPLICATION SPEC	SIZE A2	CAGE CODE FB1U7	DRAWING NO C=NPVF050WE-100
WEIGHT 53 g	RESTRICTED TO	SCALE NTS	SHEET 1 of 1
CUSTOMER DRAWING	REV A		

NPVF050WE-100