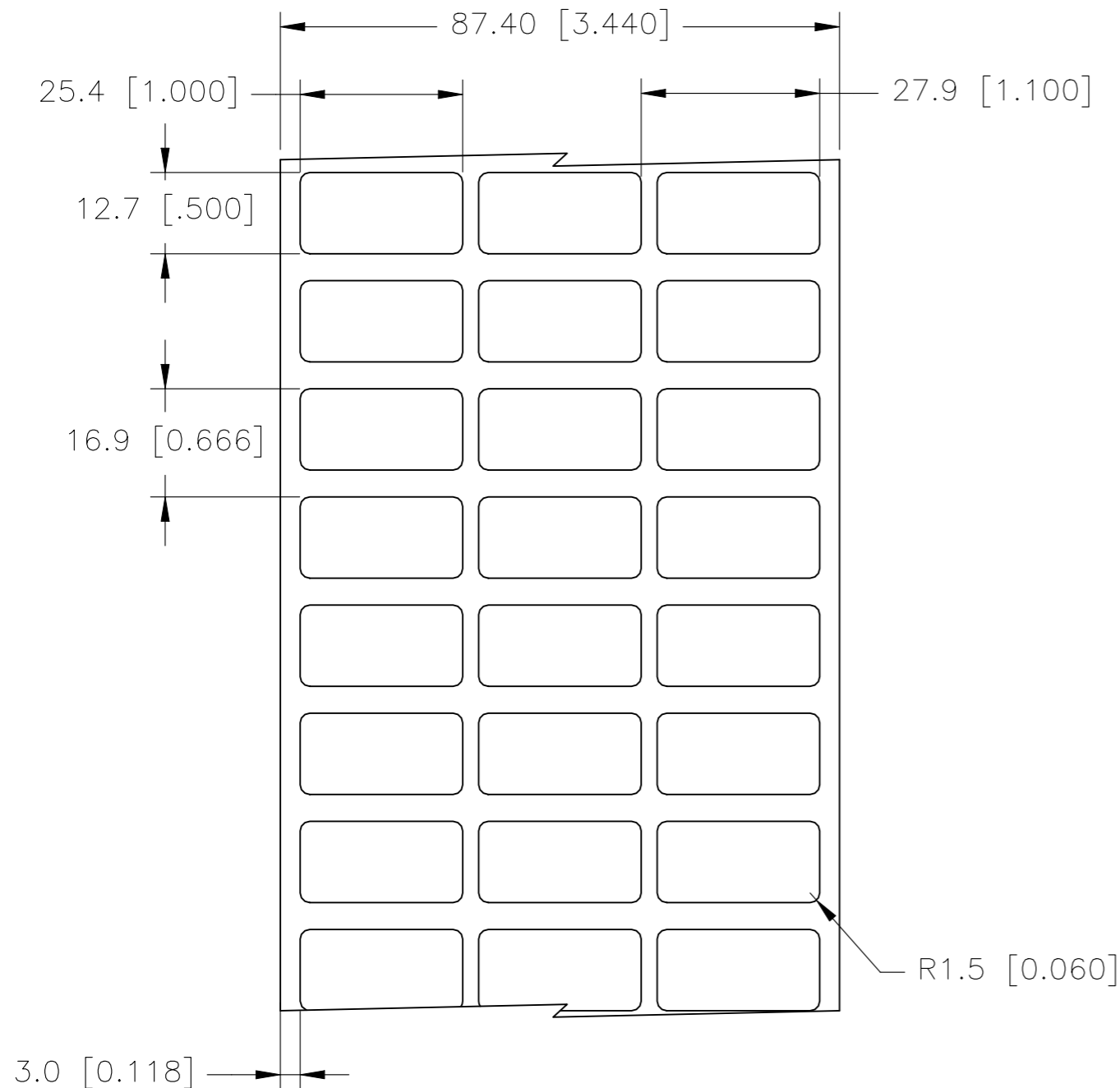
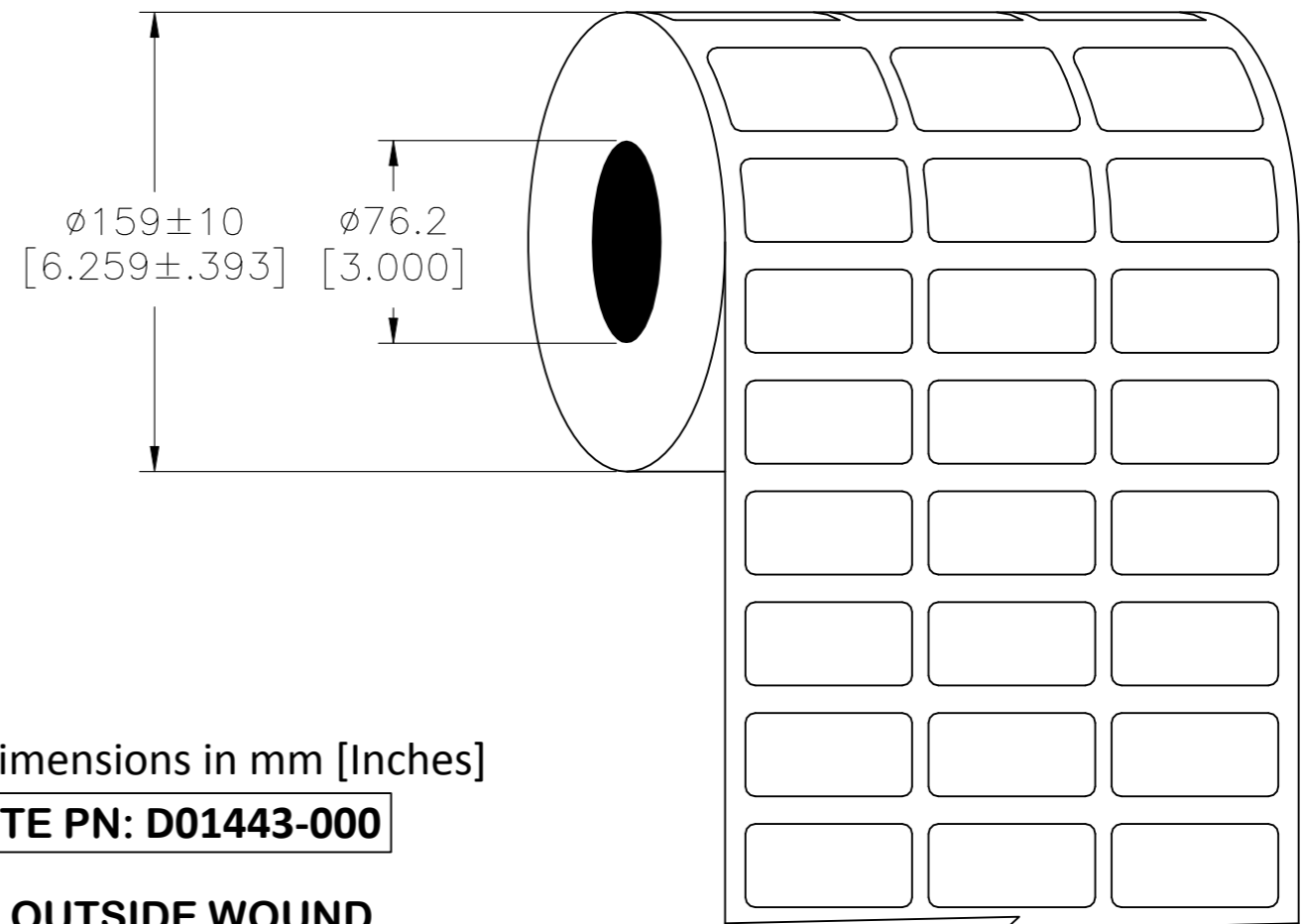


P	LTR	DESCRIPTION	DATE	DWN	APVD
	E	INITIAL RELEASE	27AUG2021	GK	MN

LABEL AND LINER DESIGN



PRESENTATION



All dimensions in mm [Inches]

TE PN: D01443-000

**OUTSIDE WOUND
LABEL ACROSS: 3
PER ROLL QTY: 10000**

MATERIAL	NYLON CLOTH
ADHESIVE TYPE	PERMANENT ACRYLIC
LINER	GLASSINE PAPER

TOLERANCES mm [INCH]	
LABEL HEIGHT:	±0.3 [.012]
LABEL WIDTH:	±0.3 [.012]
WEB WIDTH:	±0.8 [.031]
VERTICAL REPEAT:	±0.8 [.031]*
HORIZONTAL REPEAT:	±0.8 [.031]*
PRINT POSITIONING:	±0.8 [.031]*
LEFT MARGIN:	±0.4 [.016]
QUANTITY:	-0 % +2 %
*NON ACCUMULATING	

THIS DRAWING IS A CONTROLLED DOCUMENT.	
DIMENSIONS: mm [INCHES]	TOLERANCES UNLESS OTHERWISE SPECIFIED:
	0 PLC ± -
	1 PLC ± -
	2 PLC ± -
	3 PLC ± -
	4 PLC ± -
MATERIAL SEE TABLE	FINISH -

DWN	27AUG2021
CHK	27AUG2021
APVD	27AUG2021
NAME	MIKE NUTTALL
PRODUCT SPEC	TTDS-051
APPLICATION SPEC	-
WEIGHT	0.046 g

TE Connectivity		NAME		NC - NYLON CLOTH LABELS	
		SIZE		RESTRICTED TO	
CAGE CODE		DRAWING NO		SCALE	
A3C2290		G-NC-254127-10-9		NTS	
CUSTOMER DRAWING		SHEET		REV	
		1 OF 1		E	