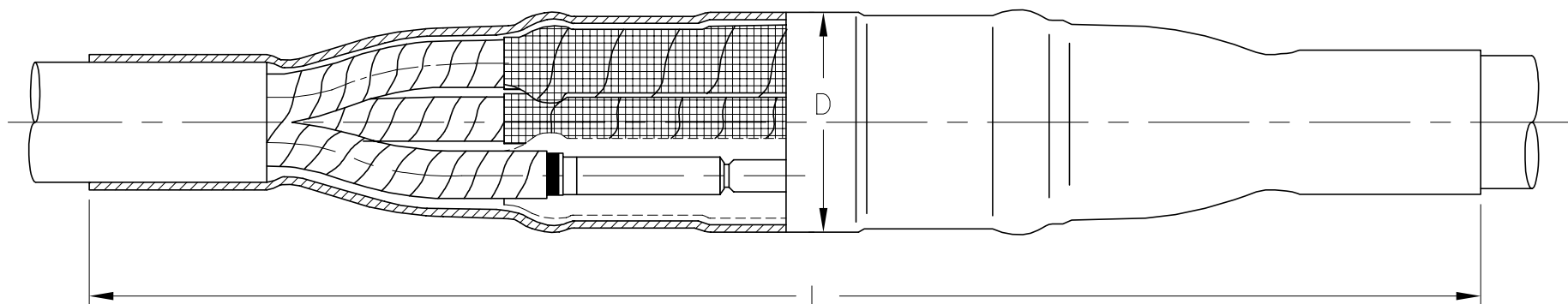

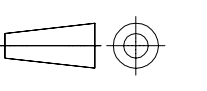


REVISIONS

P	LTR	DESCRIPTION	DATE	DWN	APVD
	1	NEW DRAWING	21NOV2020	KR	AM



NOMINAL VOLTAGE $U_0/U(KV)$	PART DESCRIPTION	DIMENSIONS (mm) APPROX.	
		L	D
06/10	POLJ-12/3x 25- 70	1100	80
	POLJ-12/3x 70-150	1100	90
	POLJ-12/3x120-240	1100	100
8,7/15 AND 12/20	POLJ-24/3x 25- 70	1250	90
	POLJ-24/3x 70-150	1250	100
	POLJ-24/3x120-240	1250	110
20/35	POLJ-42/3x 70-120	2200	150
	POLJ-42/3x120-240	2200	180

THIS DRAWING IS A CONTROLLED DOCUMENT.		DWN RAGHAVENDRA K. 20NOV2020	 TE Connectivity	
DIMENSIONS: mm		CHK A. MOTA 20NOV2020		
TOLERANCES UNLESS OTHERWISE SPECIFIED:		APVD T. ESCHERICH 20NOV2020	NAME MV H/S POLJ Joints	
		PRODUCT SPEC —	RESTRICTED TO —	
MATERIAL —		FINISH —	APPLICATION SPEC —	SIZE A3
		WEIGHT —	CAGE CODE 00779	DRAWING NO G-MV_H-S_POLJ
CUSTOMER DRAWING			SCALE NTS	SHEET 1 of 1
			REV 1	