

4

3

2

1

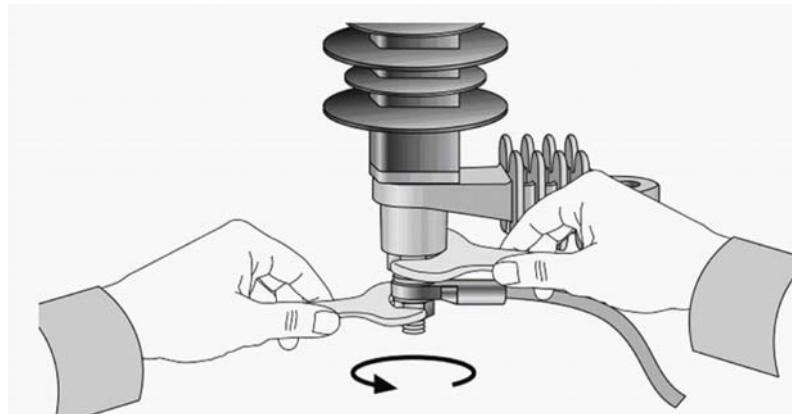
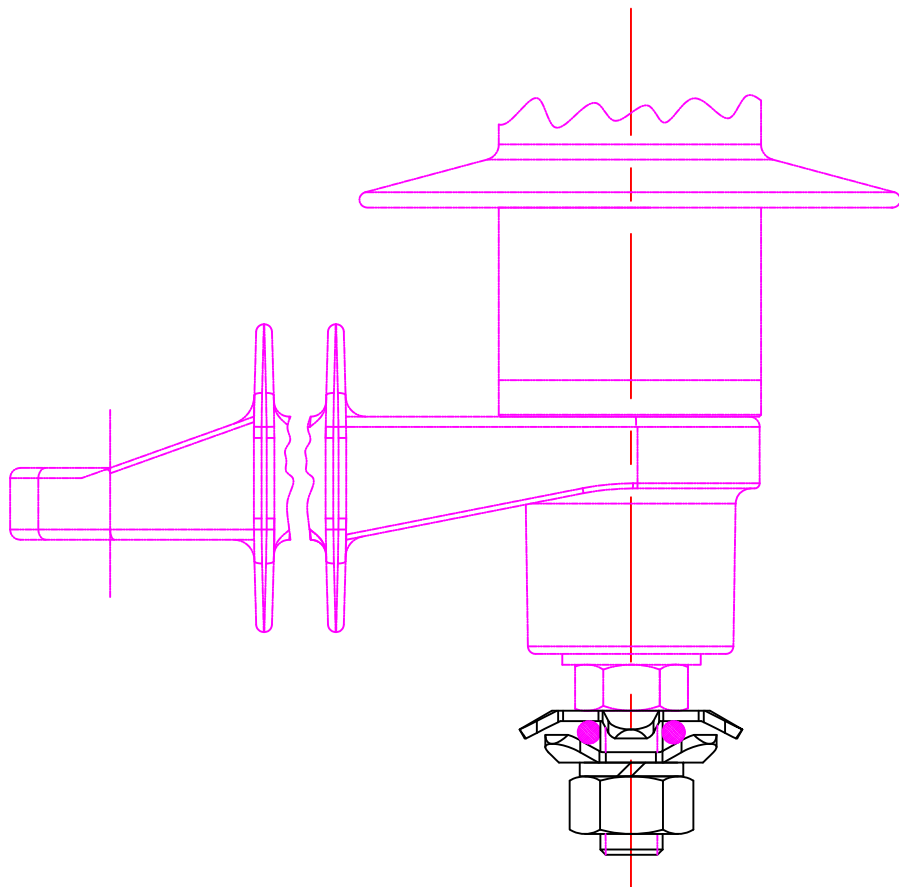
THIS DRAWING IS UNPUBLISHED.

RELEASED FOR PUBLICATION

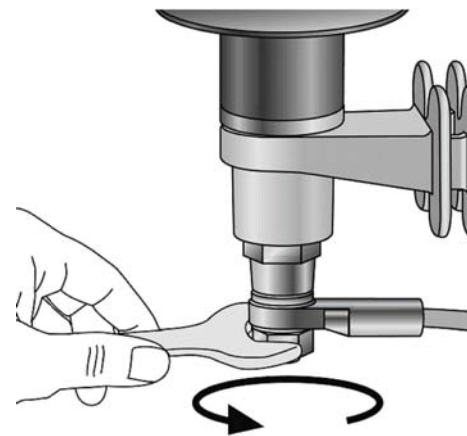
© COPYRIGHT - TE CONNECTIVITY IRELAND LTD, ISC, BLOCK 1, UNIVERSITY OF LIMERICK (NTP), CASTLETROY, LIMERICK, IRELAND

ALL RIGHTS RESERVED.

LOC	DIST	REVISIONS				
P	LTR	DESCRIPTION	DATE	DWN	APVD	
-	-	C	ECO-16-007347	05/16	JM	-



40Nm MAX
TWO WRENCH INSTALLATION



27Nm MAX
SINGLE WRENCH INSTALLATION

THIS DRAWING IS A CONTROLLED DOCUMENT.		DWN J MULLIGAN 30/04/2014														
DIMENSIONS: mm		CHK R ULBRYCH														
TOLERANCES UNLESS OTHERWISE SPECIFIED:		APVD P FITZGERALD	NAME MV SURGE ARRESTER													
<table border="1"> <tr><td>0 PLC</td><td>± 1</td></tr> <tr><td>1 PLC</td><td>± 0.1</td></tr> <tr><td>2 PLC</td><td>± 0.01</td></tr> <tr><td>3 PLC</td><td>± 0.001</td></tr> <tr><td>4 PLC</td><td>± 0.0001</td></tr> <tr><td>ANGLES</td><td>± 1</td></tr> </table>		0 PLC	± 1	1 PLC	± 0.1	2 PLC	± 0.01	3 PLC	± 0.001	4 PLC	± 0.0001	ANGLES	± 1	PRODUCT SPEC CZ7932-000	EARTH TERMINATION - DISCONNECT EARTH LEAD CONN MVSA-TER-E-D	
0 PLC	± 1															
1 PLC	± 0.1															
2 PLC	± 0.01															
3 PLC	± 0.001															
4 PLC	± 0.0001															
ANGLES	± 1															
MATERIAL ALL FITTINGS M12, A2 SS		FINISH -	APPLICATION SPEC -	RESTRICTED TO -												
		WEIGHT 0.067kg	SIZE A3	CAGE CODE 00779												
		CUSTOMER DRAWING	DRAWING NO G=MV-TER-00928-C	REV C												
			SCALE 1:1	SHEET 1 OF 1												