

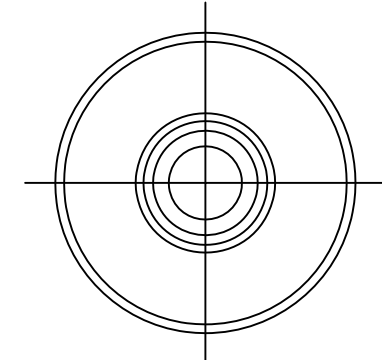
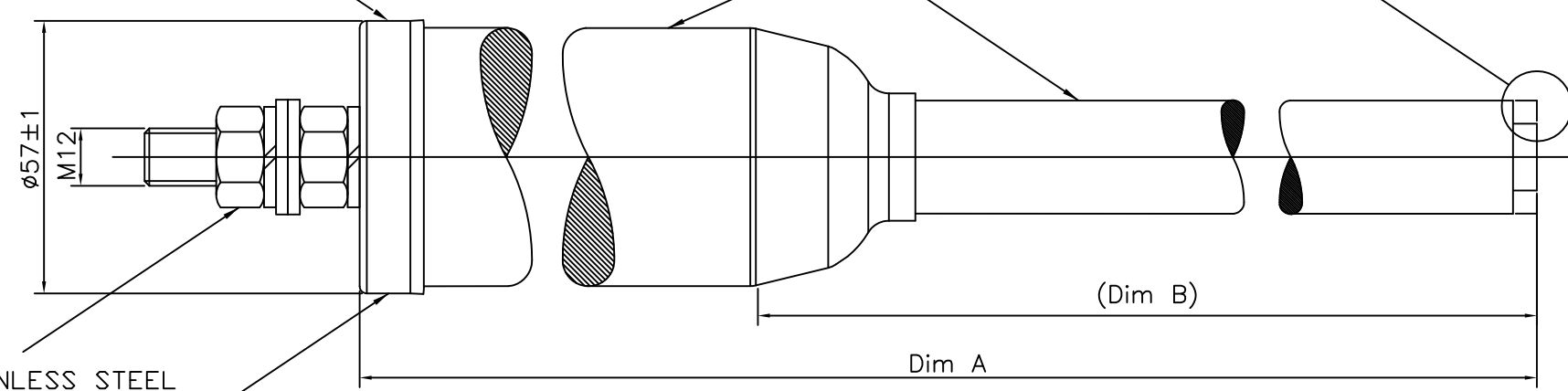
THIS DRAWING IS UNPUBLISHED. RELEASED FOR PUBLICATION
 © COPYRIGHT - TE CONNECTIVITY IRELAND LTD, ISC, BLOCK 1, UNIVERSITY OF LIMERICK (RTP), CASTLETROY, LIMERICK, IRELAND

LOC		DIST		REVISIONS			DATE	DWN	APVD
P	LTR	DESCRIPTION							
B		ECO-16-008678			06/16	JM	-		

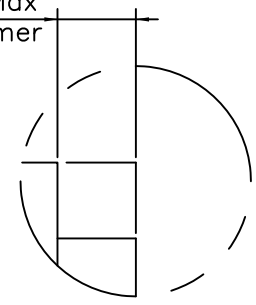
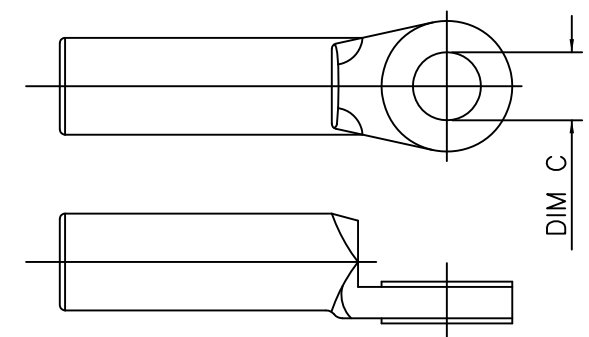
PRODUCT PRINTING
SEE TABLE

INSULATED HOUSING

SEE DETAIL A

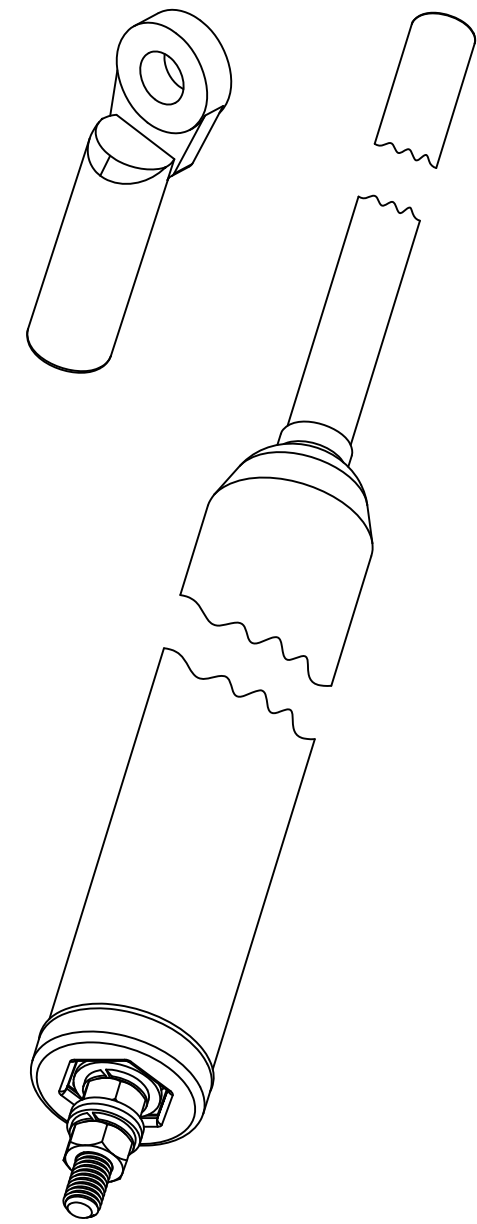


Allowable Insulation Gap 5 Max
Insulation removed by customer
for application of Lug



DETAIL A
SCALE 3:1

TCPN	DESCRIPTION	DIM A	+/-	DIM B	Uc (kV)	Ur (kV)	DIM C
028315-000	SPA-06-I-M-12	396	2.5	262	6	7.5	Ø13
570201-000	SPA-06-I-N-12	645	2.5	511	6	7.5	Ø13
CJ7884-000	SPA-07-I-M-16	403	2.5	262	7	8.75	Ø17
D96841-000	SPA-07-I-N-12	652	2.5	511	7	8.75	Ø13
EF4732-000	SPA-08-I-M-12	410	2.5	262	8	10	Ø13
D57597-000	SPA-09-I-M-12	425	2.5	262	9	11.25	Ø13
611253-000	SPA-09-I-M-16	425	2.5	262	9	11.25	Ø17
691910-000	SPA-09-I-N-12	674	2.5	511	9	11.25	Ø13
CF7215-000	SPA-09-I-N-16	674	2.5	511	9	11.25	Ø17
560801-000	SPA-09-I-O-12	924	2.5	761	9	11.25	Ø13
978675-000	SPA-09-I-O-16	924	2.5	761	9	11.25	Ø17
708873-000	SPA-12-I-M-12	457	3	262	12	15	Ø13
457359-000	SPA-12-I-N-12	706	3	511	12	15	Ø13
049501-000	SPA-12-I-N-16	706	3	511	12	15	Ø17
622261-000	SPA-15-I-O-12	1057	3	761	15	18.75	Ø13
147635-000	SPA-18-I-M-12	588	4	262	18	22.5	Ø13
114559-000	SPA-18-I-N-12	837	4	511	18	22.5	Ø13
295415-000	SPA-24-I-M-12	651	4.5	262	24	30	Ø13
524431-000	SPA-24-I-M-16	651	4.5	262	24	30	Ø17
961717-000	SPA-24-I-N-12	900	4.5	511	24	30	Ø13
345565-000	SPA-24-I-O-12	1150	4.5	761	24	30	Ø13
232477-000	SPA-24-I-O-16	1150	4.5	761	24	30	Ø17
904608-000	SPA-30-I-N-12	1026	6	511	30	37.5	Ø13
268913-000	SPA-36-I-O-12	1342	6	761	36	45	Ø13
E43619-000	SPA-40-I-N-12	1102	6	511	40	50	Ø13
E29955-000	SPA-40-I-O-12	1352	6	761	40	50	Ø13



PRODUCT PRINTING
 Raychem PolyGarde 10kA Is-c: - Class 1 IEC 99-4
 SPA-xx Uc xxkV Ur xxkV YEAR Lot #

REFER TO TECHNICAL DATASHEETS FOR ALL OTHER PRODUCT DETAILS

THIS DRAWING IS A CONTROLLED DOCUMENT.		DWN	02/09/2014		STE TE Connectivity	
		CHK	J MULLIGAN			
		APVD	R ULBRYCH		NAME MV SURGE ARRESTER SPA-xx-I-X-yy RANGE SPA-xx-I-X-yy	
		APVD	P FITZGERALD			
DIMENSIONS: mm		TOLERANCES UNLESS OTHERWISE SPECIFIED:		PRODUCT SPEC SEE TABLE		
		0 PLC ± 1		APPLICATION SPEC		
		1 PLC ± 0.1		SIZE		
		2 PLC ± 0.01		CAGE CODE		
		3 PLC ± 0.001		DRAWING NO		
		4 PLC ± 0.0001		RESTRICTED TO		
		ANGLES ± 1		C-MV-SPA-00914-C		
MATERIAL		FINISH		WEIGHT		
ALL FITTINGS M12, A2 SS				A2		
CUSTOMER DRAWING				SCALE 1:1		SHEET 1 of 1
				REV B		