

4

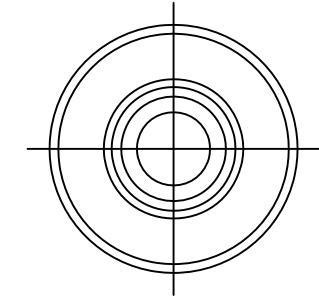
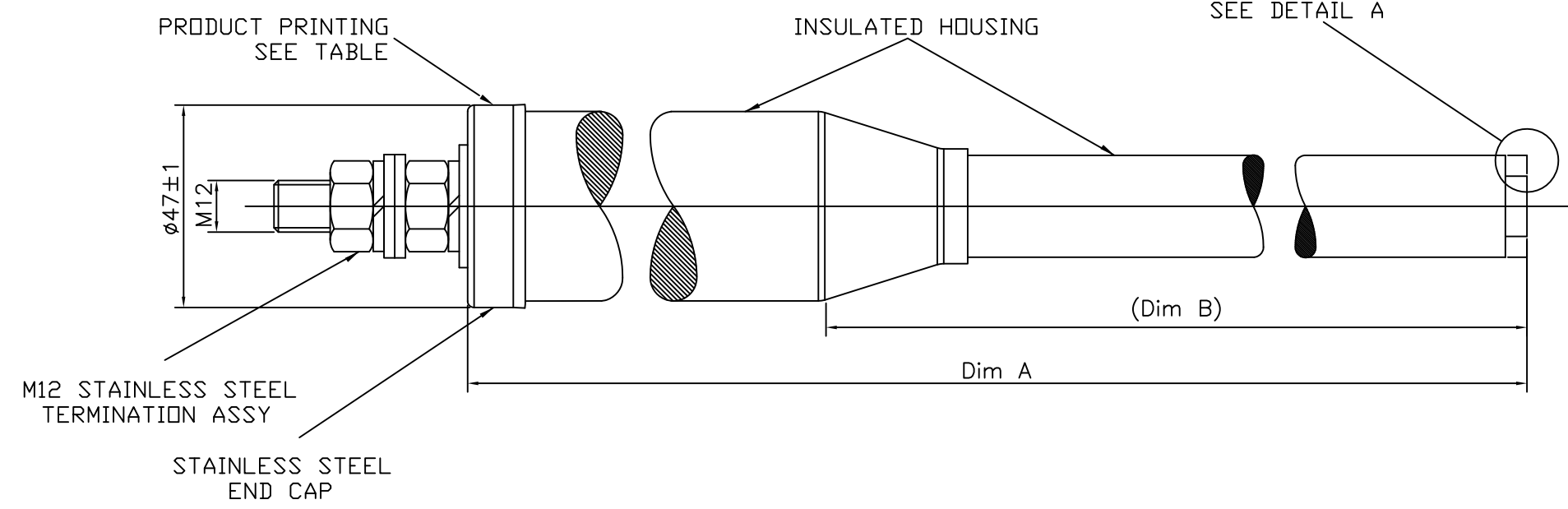
3

2

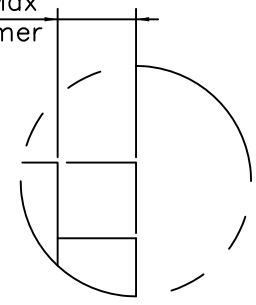
1

THIS DRAWING IS UNPUBLISHED. RELEASED FOR PUBLICATION
 © COPYRIGHT - TE CONNECTIVITY IRELAND LTD, ISC, BLOCK 1, UNIVERSITY OF LIMERICK (RTP), CASTLETROY, LIMERICK, IRELAND

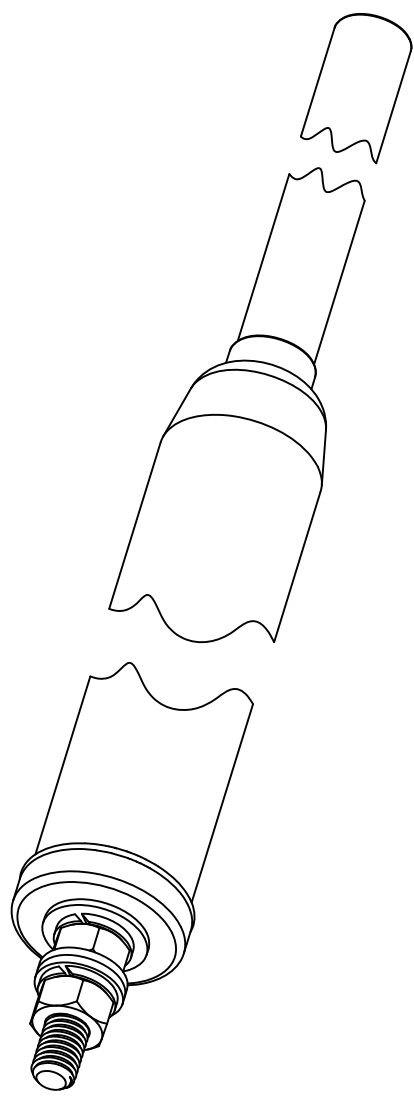
LOC		DIST		REVISIONS			
P	LTR	DESCRIPTION	DATE	DWN	APVD		
A		ORIGINAL ISSUE	09/14	JM	-		



Allowable Insulation Gap 5 Max
 Insulation removed by customer
 for application of Lug



DETAIL A
 SCALE 3:1



PRODUCT PRINTING

Raychem PolyGarde 5kA Is-c: - IEC 99-4
 SNA-xx Uc xxkV Ur xxkV YEAR Lot #

REFER TO TECHNICAL DATASHEETS FOR ALL OTHER PRODUCT DETAILS

TCPN	DESCRIPTION	DIM A	+/-	DIM B	Uc (kV)	Ur (kV)
359396-000	SNA-21-I-M	486	4	262	21	26.25
288976-000	SNA-24-I-N	759	5	511	24	30

THIS DRAWING IS A CONTROLLED DOCUMENT.		DWN	02/09/2014		STE TE Connectivity	
DIMENSIONS: mm		CHK	J MULLIGAN			
TOLERANCES UNLESS OTHERWISE SPECIFIED:		R ULBRYCH		NAME		
0 PLC ± 1		P FITZGERALD		MV SURGE ARRESTER		
1 PLC ± 0.1		PRODUCT SPEC		SNA-xx-I-X RANGE		
2 PLC ± 0.01		APPLICATION SPEC		SNA-xx-I-X		
3 PLC ± 0.001		SIZE	CAGE CODE	DRAWING NO	RESTRICTED TO	
4 PLC ± 0.0001		A2		C-MV-SNA-00913-C		
ANGLES ± 1		WEIGHT	CUSTOMER DRAWING		SCALE 1:1	
FINISH		ALL FITTINGS M12, A2 SS		SHEET 1 of 1	REV A	