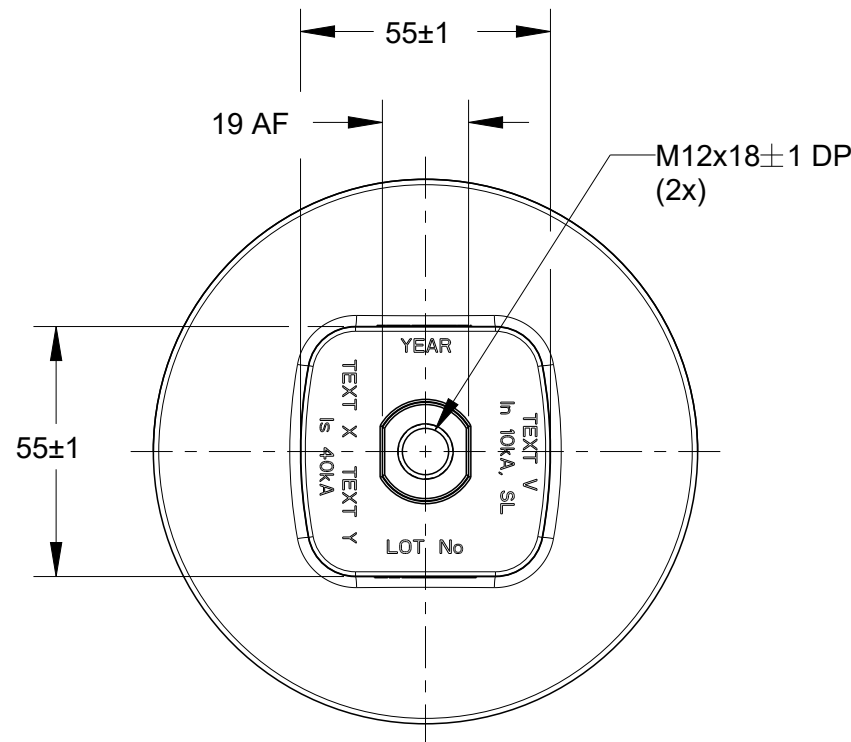


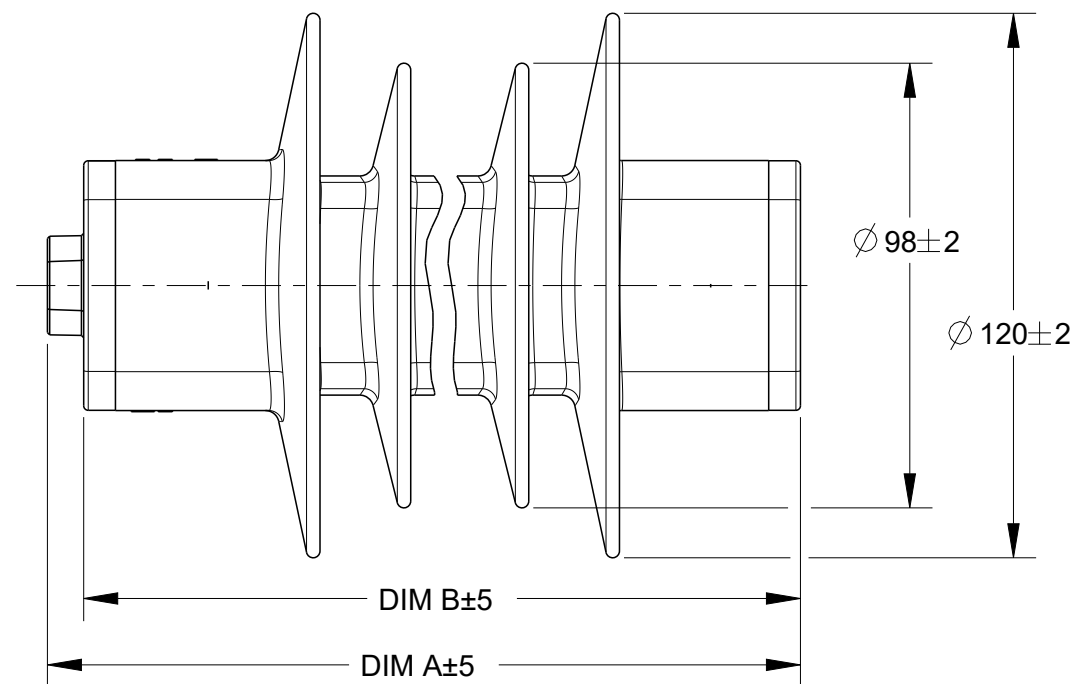
P	LTR	DESCRIPTION	DATE	DWN	APVD
	C	REDRAWN IN CREO	16MAY2022	VF	EFG

No. SHEDS	CREEPAGE LENGTH (mm)	FLASHOVER DISTANCE (mm)	DIM A (mm)	DIM B (mm)
5	386	177	183	175
7	512	215	220	212
9	640	255	260	252
11	770	294	299	291
13	900	335	340	332

No. SHEDS	PRODUCT (TEXT V)	Uc (TEXT X)	Ur (TEXT Y)
5	OCP2-03S	Uc 3 kV	Ur 3.75 kV
	OCP2-04S	Uc 4 kV	Ur 5 kV
	OCP2-05S	Uc 5 kV	Ur 6.25 kV
	OCP2-06S	Uc 6 kV	Ur 7.5 kV
	OCP2-08S	Uc 8 kV	Ur 10 kV
	OCP2-09S	Uc 9 kV	Ur 11.25 kV
	OCP2-10S	Uc 10 kV	Ur 12.5 kV
	OCP2-12S	Uc 12 kV	Ur 15 kV
7	OCP2-03L	Uc 3 kV	Ur 3.75 kV
	OCP2-04L	Uc 4 kV	Ur 5 kV
	OCP2-05L	Uc 5 kV	Ur 6.25 kV
	OCP2-06L	Uc 6 kV	Ur 7.5 kV
	OCP2-08L	Uc 8 kV	Ur 10 kV
	OCP2-09L	Uc 9 kV	Ur 11.25 kV
	OCP2-10L	Uc 10 kV	Ur 12.5 kV
	OCP2-12L	Uc 12 kV	Ur 15 kV
	OCP2-13S	Uc 13 kV	Ur 16.25 kV
	OCP2-14S	Uc 14 kV	Ur 17.5 kV
9	OCP2-15S	Uc 15 kV	Ur 18.75 kV
	OCP2-16S	Uc 16 kV	Ur 20 kV
	OCP2-17S	Uc 17 kV	Ur 21.25 kV
	OCP2-18S	Uc 18 kV	Ur 22.5 kV
	OCP2-19S	Uc 19 kV	Ur 23.75 kV
	OCP2-20S	Uc 20 kV	Ur 25 kV
	OCP2-08X	Uc 8 kV	Ur 10 kV
	OCP2-09X	Uc 9 kV	Ur 11.25 kV



No. SHEDS	PRODUCT (TEXT V)	Uc (TEXT X)	Ur (TEXT Y)
11	OCP2-15X	Uc 15 kV	Ur 18.75 kV
	OCP2-18L	Uc 18 kV	Ur 22.5 kV
	OCP2-19L	Uc 19 kV	Ur 23.75 kV
	OCP2-20L	Uc 20 kV	Ur 25 kV
	OCP2-21S	Uc 21 kV	Ur 26.25 kV
	OCP2-22S	Uc 22 kV	Ur 27.5 kV
	OCP2-24S	Uc 24 kV	Ur 30 kV
	OCP2-18X	Uc 18 kV	Ur 22.5 kV
13	OCP2-20X	Uc 20 kV	Ur 25 kV
	OCP2-21L	Uc 21 kV	Ur 26.25 kV
	OCP2-22L	Uc 22 kV	Ur 27.5 kV
	OCP2-24L	Uc 24 kV	Ur 30 kV
	OCP2-25L	Uc 25 kV	Ur 31.25 kV
	OCP2-26S	Uc 26 kV	Ur 32.5 kV
	OCP2-27S	Uc 27 kV	Ur 33.75 kV
	OCP2-29S	Uc 29 kV	Ur 36.25 kV



NOTES:

- 1- REFER TO TECHNICAL DATASHEETS FOR ALL OTHER PRODUCT DETAILS
- 2- HOUSING PRINT:

Bowthorpe
MO Arrester
50/60 Hz
IEC 60099-4

- 3- STD STUD LENGTH 45±2. OTHER LENGTHS AVAILABLE
- 4- ALL DIMENSIONS NOMINAL UNLESS SPECIFIED

THIS DRAWING IS A CONTROLLED DOCUMENT.		DWN 23MAY2022 V.FUZETTI	
DIMENSIONS: mm		CHK 16MAY2022 E.F.GASTALDI	
TOLERANCES UNLESS OTHERWISE SPECIFIED:		APVD 16MAY2022 E.F.GASTALDI	NAME MV SURGE ARRESTER OCP2-RANGE
0 PLC ±-		PRODUCT SPEC	SIZE A3
1 PLC ±-		SEE DATASHEET	CAGE CODE 00779
2 PLC ±-		APPLICATION SPEC	DRAWING NO C-MV-OCP2-00031-C
3 PLC ±-		-	RESTRICTED TO -
4 PLC ±-		WEIGHT -	SCALE NTS
ANGLES ±-		CUSTOMER DRAWING	SHEET 1 OF 1
FINISH -			REV C