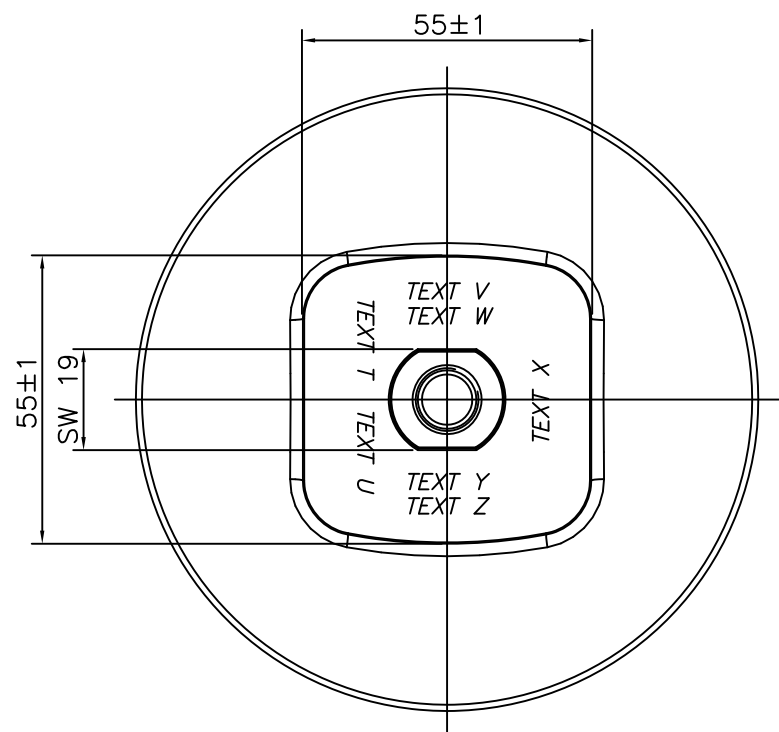
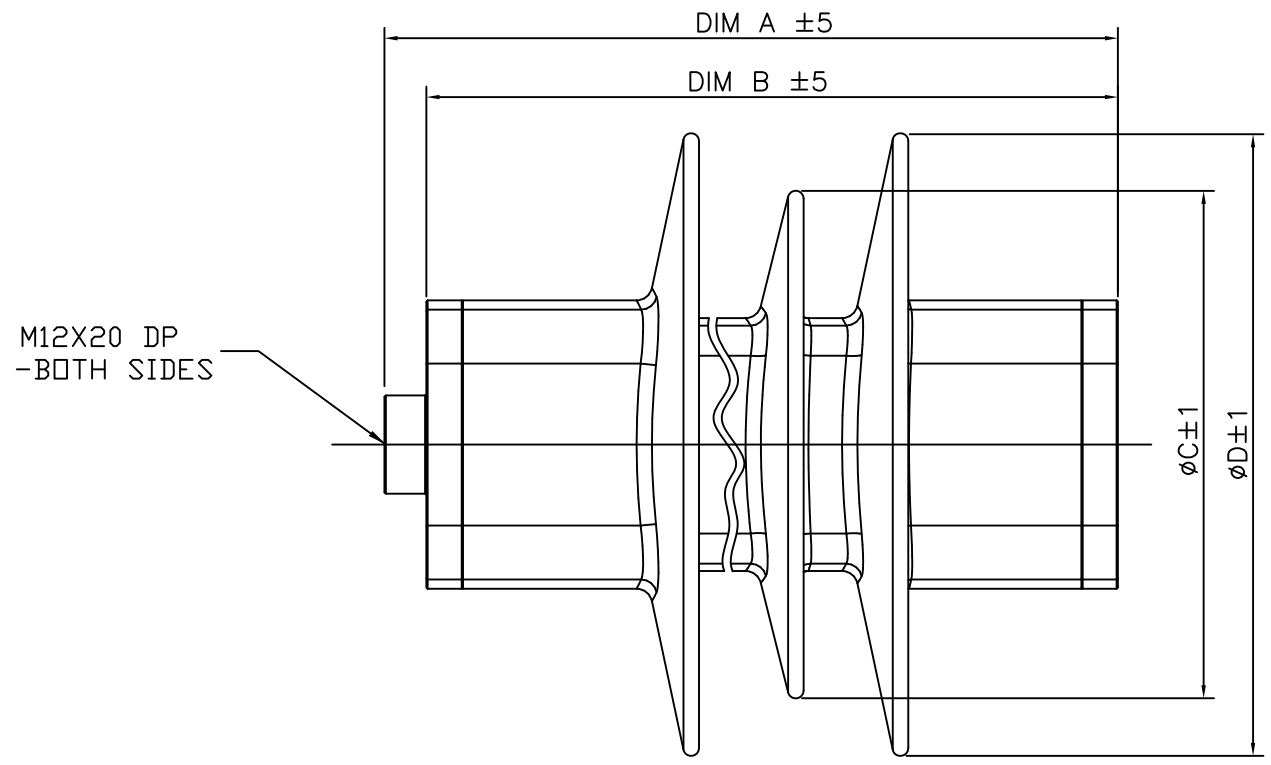


THIS DRAWING IS UNPUBLISHED. RELEASED FOR PUBLICATION
 © COPYRIGHT - TE CONNECTIVITY IRELAND LTD, ISC, BLOCK 1, UNIVERSITY OF LIMERICK (RTP), CASTLETROY, LIMERICK, IRELAND

LOC		DIST		REVISIONS			
P	LTR	DESCRIPTION	DATE	DWN	APVD		
A		ORIGINAL ISSUE	08/14	JM	-		

D

C



D

C

B

A

PRODUCT	SHEDS	DIM A	DIM B	DIM C	DIM D	TEXT T	TEXT U	TEXT V	TEXT W	TEXT X	TEXT Y	TEXT Z
HDA-01MA	5	183	175	97	119	LOT No	YEAR	Uc 1kV	Ur 1.25kV	50/60 Hz	IEC 99-4	HDA-01MA
HDA-03MA	5	183	175	97	119	LOT No	YEAR	Uc 3kV	Ur 3.75kV	50/60 Hz	IEC 99-4	HDA-03MA
HDA-04MA	5	183	175	97	119	LOT No	YEAR	Uc 4kV	Ur 5kV	50/60 Hz	IEC 99-4	HDA-04MA
HDA-05MA	5	183	175	97	119	LOT No	YEAR	Uc 5kV	Ur 6.25kV	50/60 Hz	IEC 99-4	HDA-05MA
HDA-06MA	5	183	175	97	119	LOT No	YEAR	Uc 6kV	Ur 7.5kV	50/60 Hz	IEC 99-4	HDA-06MA
HDA-06LA	12	316	308	103	122	LOT No	YEAR	Uc 6kV	Ur 7.5kV	50/60 Hz	IEC 99-4	HDA-06LA
HDA-08MA	5	183	175	97	119	LOT No	YEAR	Uc 8kV	Ur 10kV	50/60 Hz	IEC 99-4	HDA-08MA
HDA-08LA	12	316	308	103	122	LOT No	YEAR	Uc 8kV	Ur 10kV	50/60 Hz	IEC 99-4	HDA-08LA
HDA-09MA	5	183	175	97	119	LOT No	YEAR	Uc 9kV	Ur 11.25kV	50/60 Hz	IEC 99-4	HDA-09MA
HDA-09LA	12	316	308	103	122	LOT No	YEAR	Uc 9kV	Ur 11.25kV	50/60 Hz	IEC 99-4	HDA-09LA
HDA-10MA	5	183	175	97	119	LOT No	YEAR	Uc 10V	Ur 12.5kV	50/60 Hz	IEC 99-4	HDA-10MA
HDA-10LA	12	316	308	103	122	LOT No	YEAR	Uc 10V	Ur 12.5kV	50/60 Hz	IEC 99-4	HDA-10LA
HDA-12MA	5	183	175	97	119	LOT No	YEAR	Uc 12kV	Ur 15kV	50/60 Hz	IEC 99-4	HDA-12MA
HDA-12LA	12	316	308	103	122	LOT No	YEAR	Uc 12kV	Ur 15kV	50/60 Hz	IEC 99-4	HDA-12LA
HDA-14MA	12	316	308	103	122	LOT No	YEAR	Uc 14kV	Ur 17.5kV	50/60 Hz	IEC 99-4	HDA-14MA
HDA-15MA	12	316	308	103	122	LOT No	YEAR	Uc 15kV	Ur 18.75kV	50/60 Hz	IEC 99-4	HDA-15MA
HDA-16MA	12	316	308	103	122	LOT No	YEAR	Uc 16kV	Ur 20kV	50/60 Hz	IEC 99-4	HDA-16MA
HDA-17MA	12	316	308	103	122	LOT No	YEAR	Uc 17kV	Ur 21.25kV	50/60 Hz	IEC 99-4	HDA-17MA
HDA-18MA	12	316	308	103	122	LOT No	YEAR	Uc 18kV	Ur 22.5kV	50/60 Hz	IEC 99-4	HDA-18MA
HDA-19MA	12	316	308	103	122	LOT No	YEAR	Uc 19kV	Ur 23.75kV	50/60 Hz	IEC 99-4	HDA-19MA
HDA-20MA	12	316	308	103	122	LOT No	YEAR	Uc 20kV	Ur 25kV	50/60 Hz	IEC 99-4	HDA-20MA
HDA-21MA	12	316	308	103	122	LOT No	YEAR	Uc 21kV	Ur 26.25kV	50/60 Hz	IEC 99-4	HDA-21MA
HDA-22MA	12	316	308	103	122	LOT No	YEAR	Uc 22kV	Ur 27.5kV	50/60 Hz	IEC 99-4	HDA-22MA
HDA-24MA	12	316	308	103	122	LOT No	YEAR	Uc 24kV	Ur 30kV	50/60 Hz	IEC 99-4	HDA-24MA

No SHEDS	CREEPAGE LENGTH	FLASHOVER DISTANCE
5	380	176
12	830	310

NOTE	
HOUSING PRINT	Raychem PolyGarde MO Surge Arrester Isc 40kA In 10kA, class 1

REFER TO TECHNICAL DATASHEETS FOR ALL OTHER PRODUCT DETAILS

THIS DRAWING IS A CONTROLLED DOCUMENT.		DWN J MULLIGAN 11/08/2014	TE Connectivity	
DIMENSIONS: mm		CHK R ULBRYCH		
TOLERANCES UNLESS OTHERWISE SPECIFIED:		APVD P FITZGERALD	NAME	
0 PLC ± 1 1 PLC ± 0.1 2 PLC ± 0.01 3 PLC ± 0.001 4 PLC ± 0.0001 ANGLES ± 1		PRODUCT SPEC		MV SURGE ARRESTER HDA-MA RANGE HDA-XXMA(STD)
MATERIAL ALL FITTINGS M12, A2 SS		APPLICATION SPEC		
FINISH		SIZE A2	CAGE CODE	DRAWING NO C-MV-HDAMA-00034-C
CUSTOMER DRAWING		WEIGHT	RESTRICTED TO	SCALE 1:1 SHEET 1 of 1 REV A