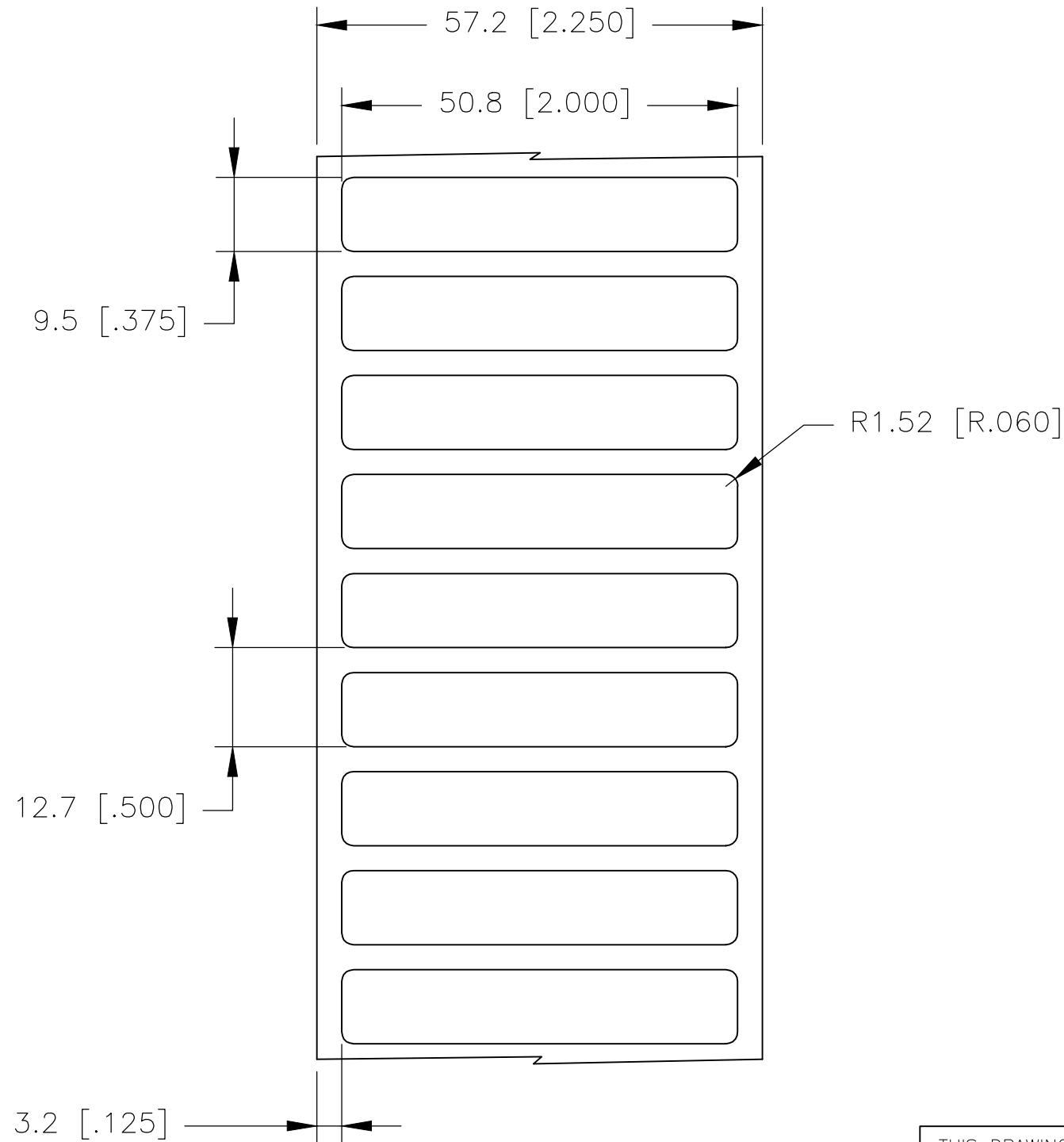
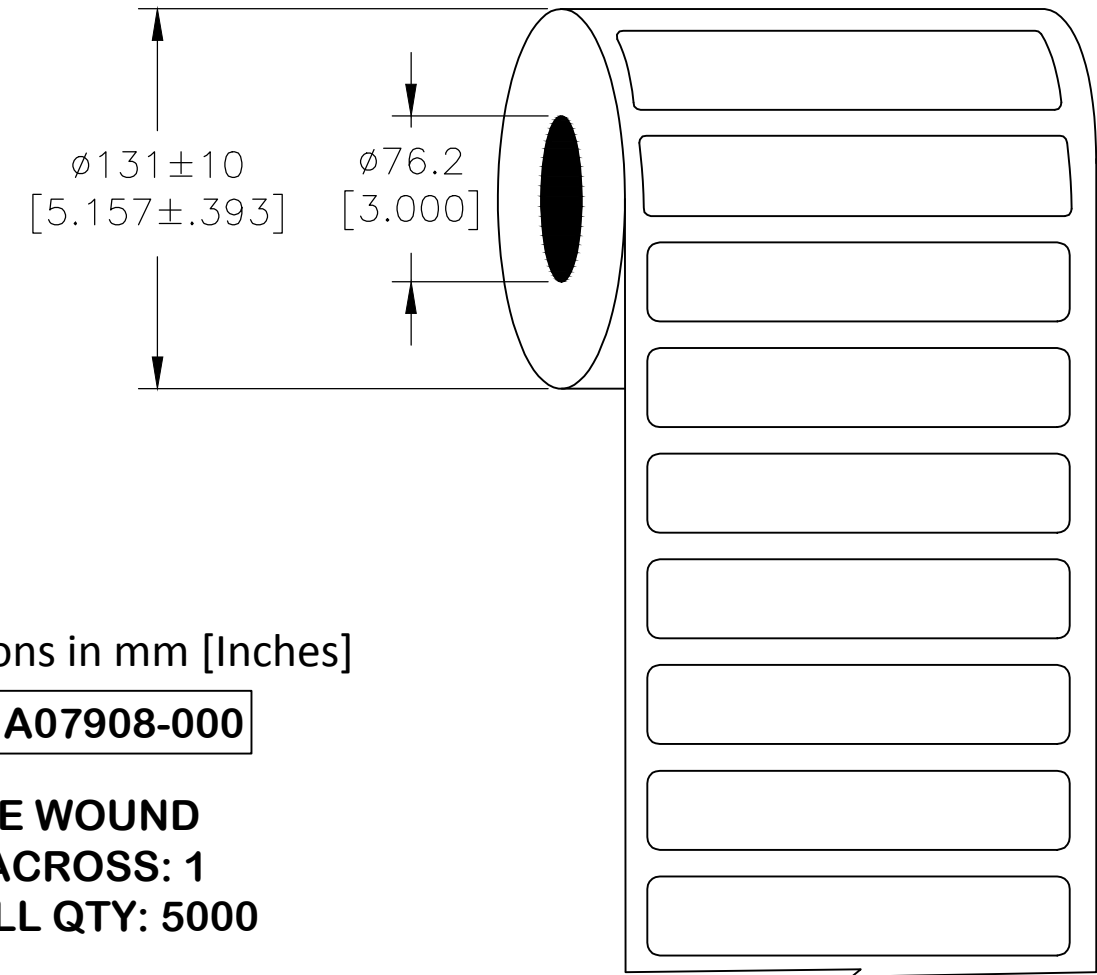


| P | LTR | DESCRIPTION     | DATE      | DWN | APVD |
|---|-----|-----------------|-----------|-----|------|
|   | D   | INITIAL RELEASE | 06JUL2020 | MN  | AK   |

### LABEL AND LINER DESIGN



### PRESENTATION



All dimensions in mm [Inches]

**TE PN: A07908-000**

**OUTSIDE WOUND  
LABEL ACROSS: 1  
PER ROLL QTY: 5000**

|               |                     |
|---------------|---------------------|
| MATERIAL      | METALIZED POLYESTER |
| ADHESIVE TYPE | PERMANENT           |
| LINER         | GLASSINE PAPER      |

| TOLERANCES mm [INCH] |              |
|----------------------|--------------|
| LABEL HEIGHT:        | ±0.3 [.012]  |
| LABEL WIDTH:         | ±0.3 [.012]  |
| WEB WIDTH:           | ±0.8 [.031]  |
| VERTICAL REPEAT:     | ±0.8 [.031]* |
| HORIZONTAL REPEAT:   | ±0.8 [.031]* |
| PRINT POSITIONING:   | ±0.8 [.031]* |
| LEFT MARGIN:         | ±0.4 [.016]  |
| QUANTITY:            | -0 % +2 %    |
| *NON ACCUMULATING    |              |

THIS DRAWING IS A CONTROLLED DOCUMENT.

| DIMENSIONS: | TOLERANCES UNLESS OTHERWISE SPECIFIED: |
|-------------|--|
| mm [INCHES] |  |
|             | 0 PLC ± -                              |
|             | 1 PLC ± -                              |
|             | 2 PLC ± -                              |
|             | 3 PLC ± -                              |
|             | 4 PLC ± -                              |
|             | ANGLES ± -                             |
| MATERIAL    | FINISH                                 |
| SEE TABLE   | -                                      |

|                  |            |           |
|------------------|------------|-----------|
| DWN              | M. NUTTALL | 06JUL2020 |
| CHK              | M. NUTTALL | 06JUL2020 |
| APVD             | A. KEAN    | 06JUL2020 |
| PRODUCT SPEC     | TTDS-074   |           |
| APPLICATION SPEC | -          |           |
| WEIGHT           | 0.043g     |           |
| CUSTOMER DRAWING |            |           |

|                 |           |                                 |               |
|-----------------|-----------|---------------------------------|---------------|
| TE Connectivity |           |                                 |               |
| NAME            |           | MP - METALIZED POLYESTER LABELS |               |
| SIZE            | CAGE CODE | DRAWING NO                      | RESTRICTED TO |
| A3              | C2290     | G-MP-508095-5-8A                | -             |
| SCALE           |           | SHEET                           | REV           |
| NTS             |           | 1 OF 1                          | D             |