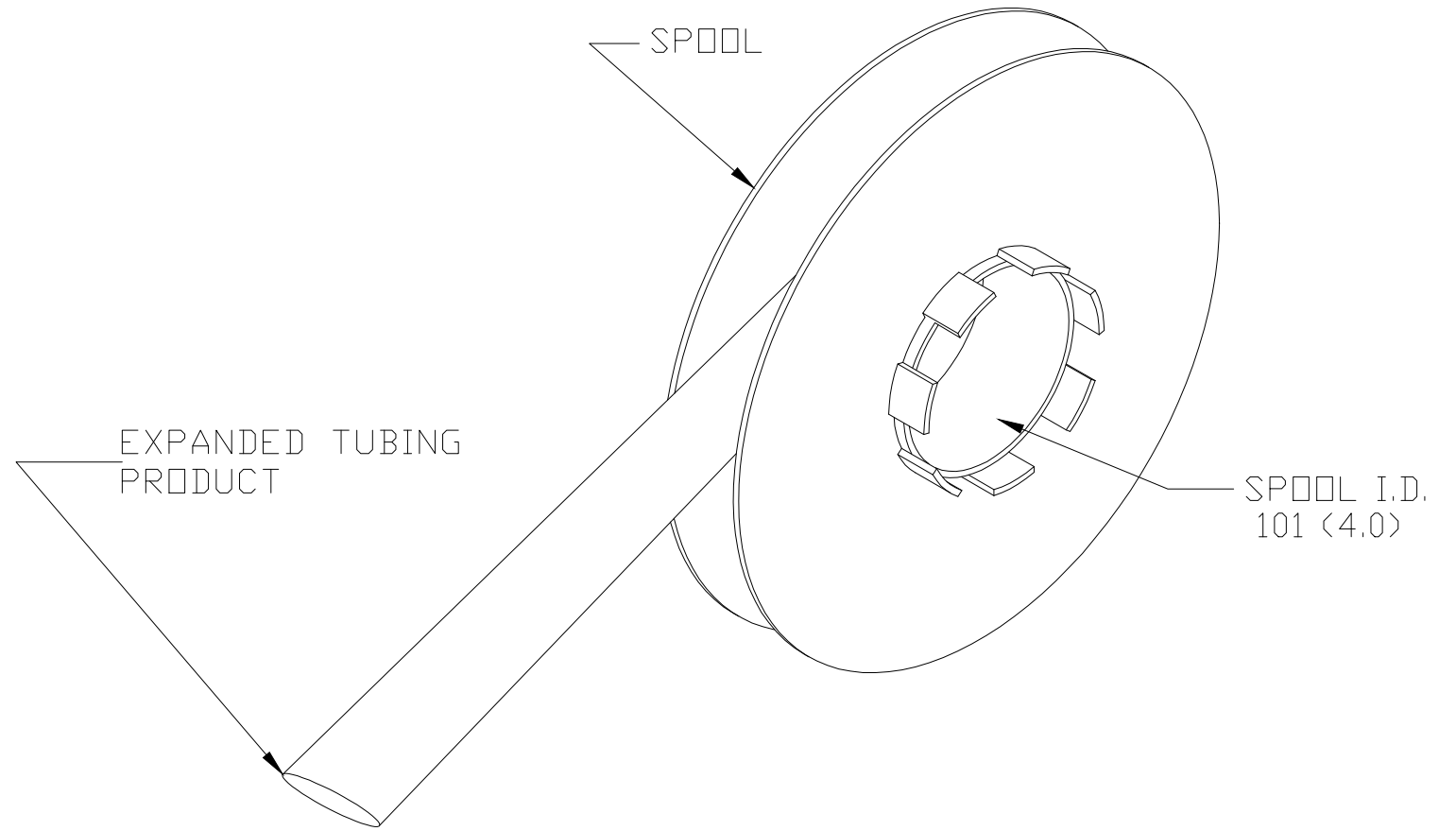
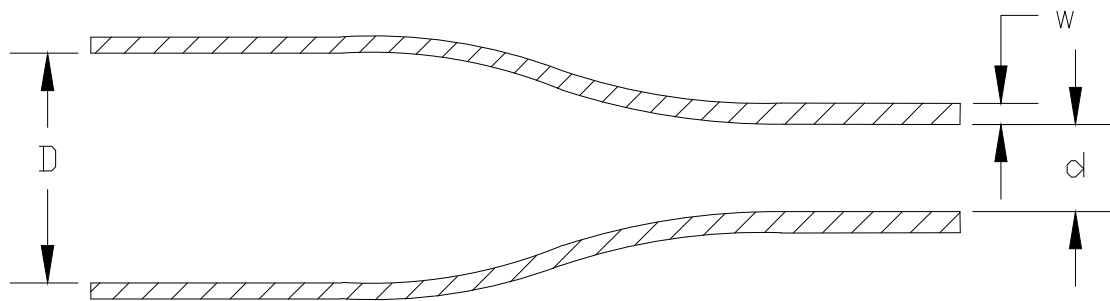
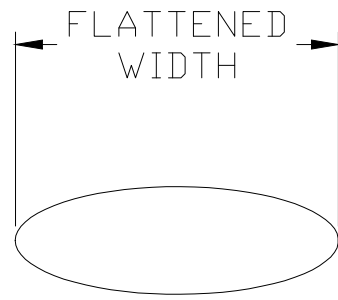


P	LTR	DESCRIPTION	DATE	DWN	APVD
2		INITIAL CUSTOMER DRAWING	20FEB2020	AFK	LS



Product Size	3/32	1/8	3/16	1/4	3/8	1/2	3/4	1	1-1/2
"D" Minimum Supplied I.D.	2.36 (.093)	3.18 (.125)	4.75 (.187)	6.35 (.250)	9.53 (.375)	12.7 (.500)	19.0 (.750)	25.4 (1.00)	38.1 (1.50)
"d" Maximum Recovered I.D.	0.79 (.031)	1.58 (.063)	2.38 (.094)	3.18 (.125)	4.76 (.188)	6.35 (.250)	9.53 (.375)	12.7 (.500)	19.0 (.750)
"w" Recovered Wall Thickness	0.38±0.08 (.015±.003)	0.38±0.08 (.015±.003)	0.38±0.08 (.015±.003)	0.38±0.08 (.015±.003)	0.38±0.08 (.015±.003)	0.38±0.08 (.015±.003)	0.38±0.08 (.015±.003)	0.43±0.10 (.017±.004)	0.43±0.10 (.017±.004)
Minimum Sleeve Flattened Width	4.32 (.170)	5.84 (.230)	8.00 (.315)	10.7 (.420)	15.5 (.610)	20.3 (.799)	30.5 (1.20)	40.4 (1.59)	60.3 (2.37)

NOTES:

1. ALL DIMENSIONS ARE IN MILLIMETERS (inches).

THIS DRAWING IS A CONTROLLED DOCUMENT.		DWN AFK CHK -	19FEB2020	TE Connectivity	
DIMENSIONS: mm 		TOLERANCES UNLESS OTHERWISE SPECIFIED: 0 PLC ± - 1 PLC ± - 2 PLC ± - 3 PLC ± - 4 PLC ± - ANGLES ± -			
MATERIAL CROSS-LINKED PvdF		FINISH -		NAME HT-CT OUTSIDE PRINTER SPOOL	
		PRODUCT SPEC RW-2512 APPLICATION SPEC -		SIZE A3	CAGE CODE -
		WEIGHT VARIOUS		DRAWING NO C-MCD170015	RESTRICTED TO -
		CUSTOMER DRAWING		SCALE -	SHEET 1 OF 1
				REV 2	