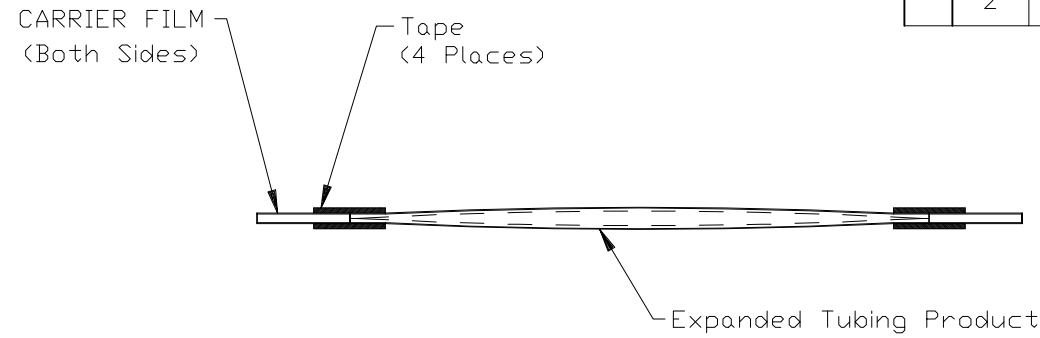
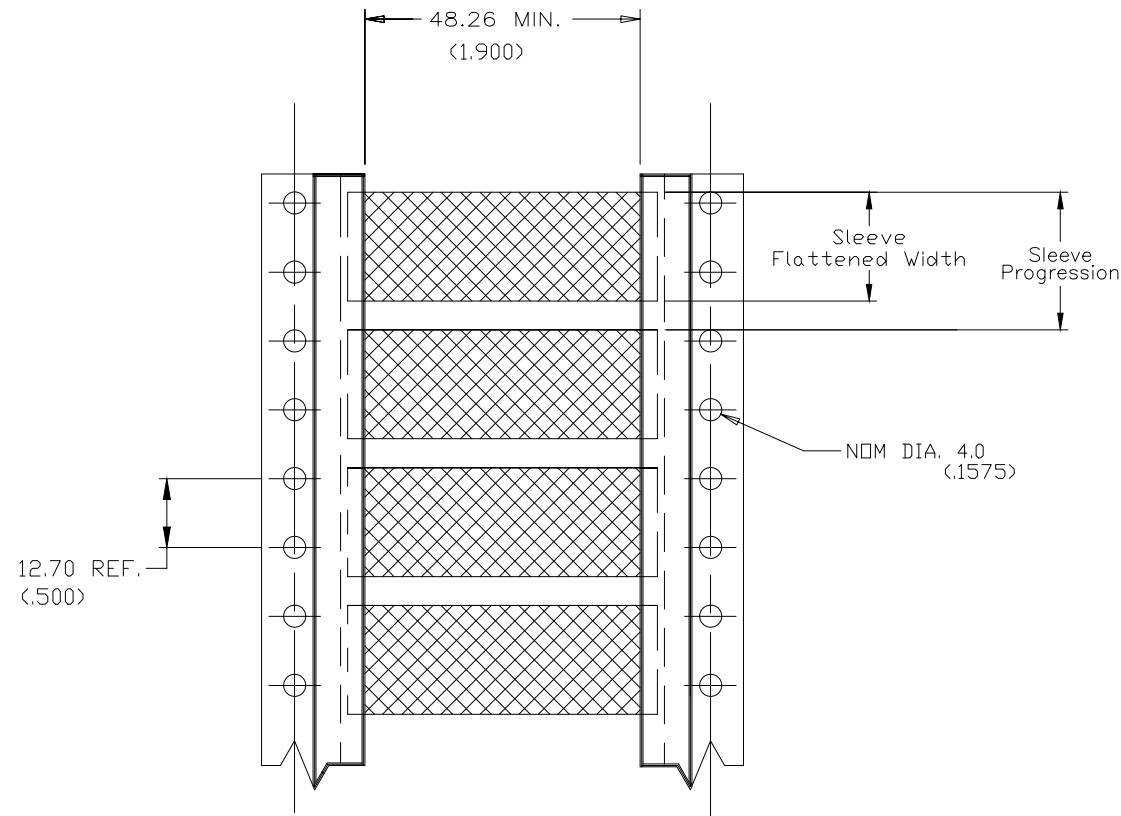


P	LTR	DESCRIPTION	DATE	DWN	APVD
	2	CORRECTIONS REF. ECR-20-005962	04JUN2020	AFK	LS

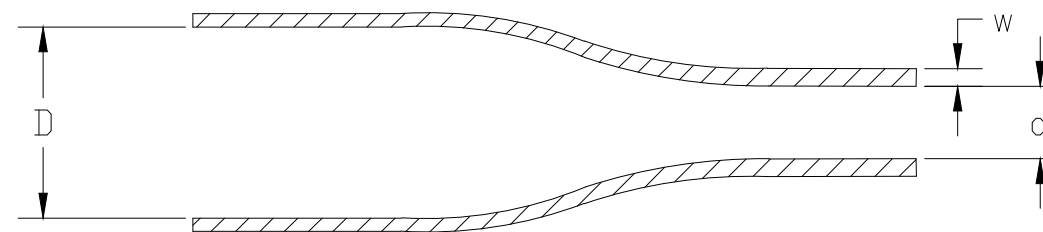


SECTION A - A



Product Size	3/32	1/8	3/16	1/4	3/8	1/2	3/4	1	1-1/2
Minimum Sleeve Flattened Width	4.32 (.170)	5.84 (.230)	8.00 (.315)	10.7 (.420)	15.5 (.610)	20.4 (.804)	30.5 (1.200)	40.4 (1.590)	60.3 (2.37)
Nominal Sleeve Progression	12.70 (.500)	12.70 (.500)	12.70 (.500)	16.93 (.677)	25.40 (1.000)	29.63 (1.167)	42.33 (1.667)	50.80 (2.00)	71.96 (2.833)
"D" Minimum Supplied I.D.	2.36 (.093)	3.18 (.125)	4.76 (.1875)	6.35 (.250)	9.53 (.375)	12.70 (.500)	19.05 (.750)	25.40 (1.00)	38.10 (1.50)
"d" Maximum Recovered I.D.	0.79 (.0312)	1.58 (.0625)	2.36 (.0938)	3.18 (.1250)	4.75 (.1875)	6.35 (.250)	9.53 (.375)	12.70 (.500)	19.05 (.750)
"w" Recovered wall	0.38±0.08 (.015±.003)	0.38±0.08 (.015±.003)	0.38±0.08 (.015±.003)	0.38±0.08 (.015±.003)	0.38±0.08 (.015±.003)	0.38±0.08 (.015±.003)	0.38±0.08 (.015±.003)	0.43±0.10 (.017±.004)	0.43±0.10 (.017±.004)

DIMENSIONS IN mm (inches)



THIS DRAWING IS A CONTROLLED DOCUMENT.		DWN AFK	28JAN2013		
		CHK -	28JAN2013		
DIMENSIONS: mm		TOLERANCES UNLESS OTHERWISE SPECIFIED:		NAME UV-SCE	
		0 PLC ± -		PRODUCT SPEC RW-2534	
		1 PLC ± -		APPLICATION SPEC 411-121008	
MATERIAL CROSSLINKED PVdF		2 PLC ± -		SIZE A3	CAGE CODE 0198G
		3 PLC ± -		DRAWING NO MCD160009	
		4 PLC ± -		RESTRICTED TO -	
		4 PLC ANGLES ± - ± -		SCALE NTS	
		FINISH -		SHEET 1 OF 1	
		CUSTOMER DRAWING		REV 2	