

4

3

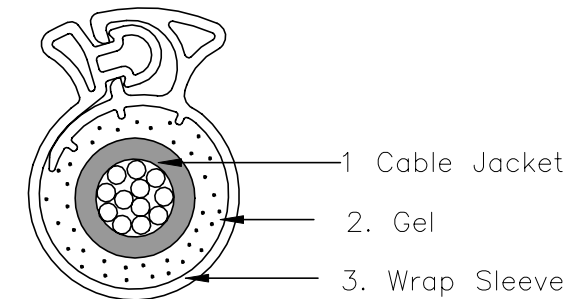
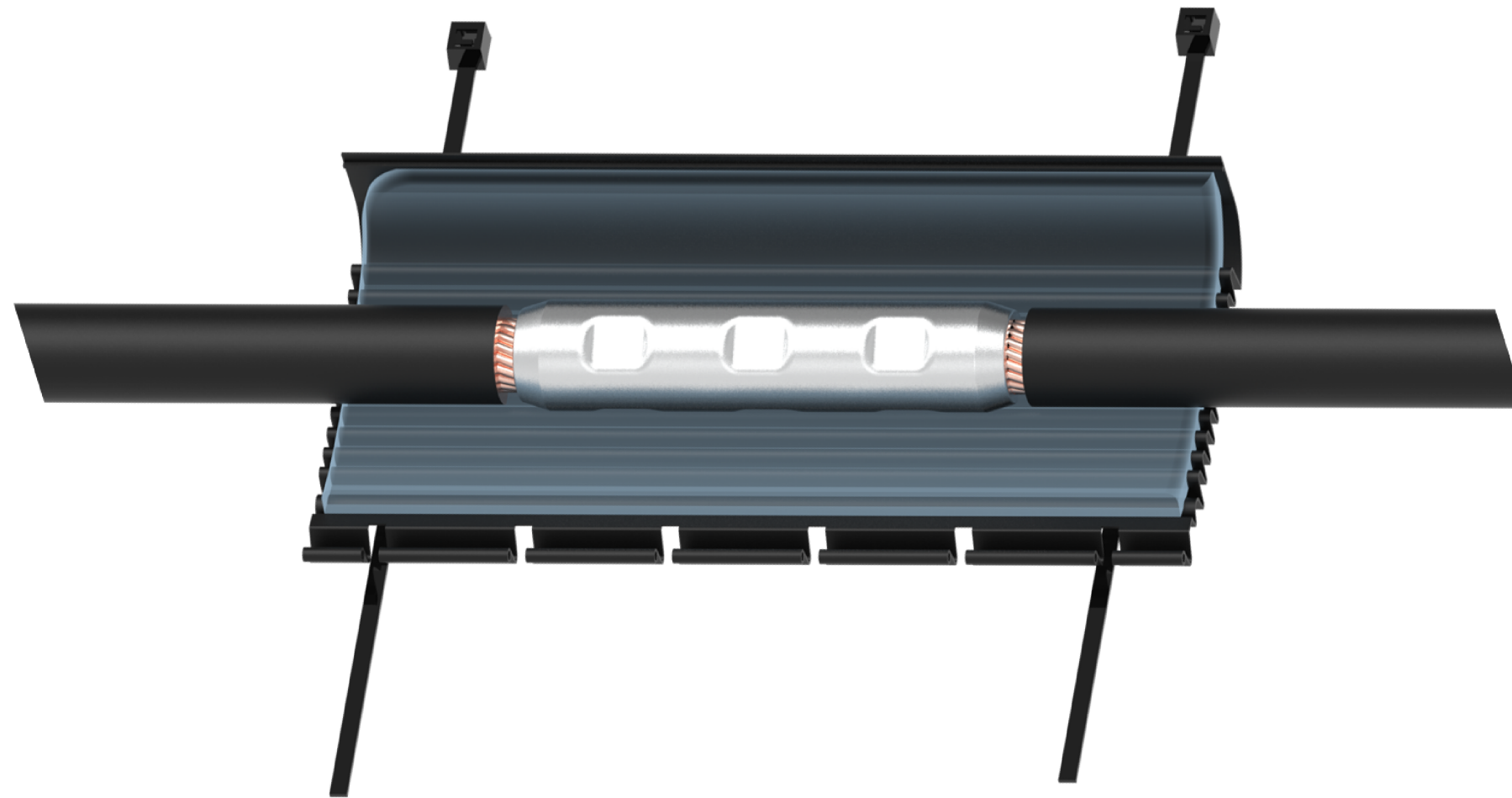
2

1

© - TE Connectivity. All Rights Reserved.

REVISIONS

P	LTR	DESCRIPTION	DATE	DWN	APVD
2		NEW DRAWING IMAGE ADDED	05MAY2021	GSK	AMO



Kit Description	Sleeve Length
GelWrap-18/4-100	4.0" (100mm)
GelWrap-18/4-150	6.0" (150mm)
GelWrap-18/4-200	8.0" (200mm)
GelWrap-18/4-250	10.0" (250mm)
GelWrap-18/4-300	12.0" (300mm)
GelWrap-33/10-150	6.0" (150mm)
GelWrap-33/10-200	8.0" (200mm)
GelWrap-33/10-250	10.0" (250mm)
GelWrap-33/10-300	12.0" (300mm)
GelWrap-33/10-350	14.0" (350mm)
GelWrap-50/20-200	8.0" (200mm)
GelWrap-50/20-250	10.0" (250mm)
GelWrap-50/20-300	12.0" (300mm)
GelWrap-50/20-350	14.0" (350mm)
GelWrap-50/20-400	16.0" (400mm)

THIS DRAWING IS A CONTROLLED DOCUMENT.		DWN SATHISH KUMAR.G 03MAY2021	TE Connectivity	
		CHK ANGEL M. 03MAY2021		
DIMENSIONS: INCHES [mm]		TOLERANCES UNLESS OTHERWISE SPECIFIED: 0 PLC ± - 1 PLC ± - 2 PLC ± - 3 PLC ± - 4 PLC ± - ANGLES ± -		NAME GELWRAP Wrap-Around Splice Closure
		APVD ANGEL M. 03MAY2021		
MATERIAL		PRODUCT SPEC		SIZE
		APPLICATION SPEC		CAGE CODE
		WEIGHT		DRAWING NO
		CUSTOMER DRAWING		RESTRICTED TO
				A3 00779
				SCALE
				NTS
				SHEET
				1 of 1
				REV
				2