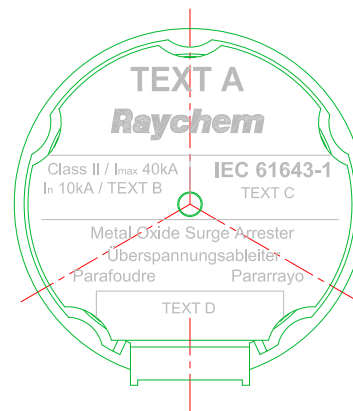
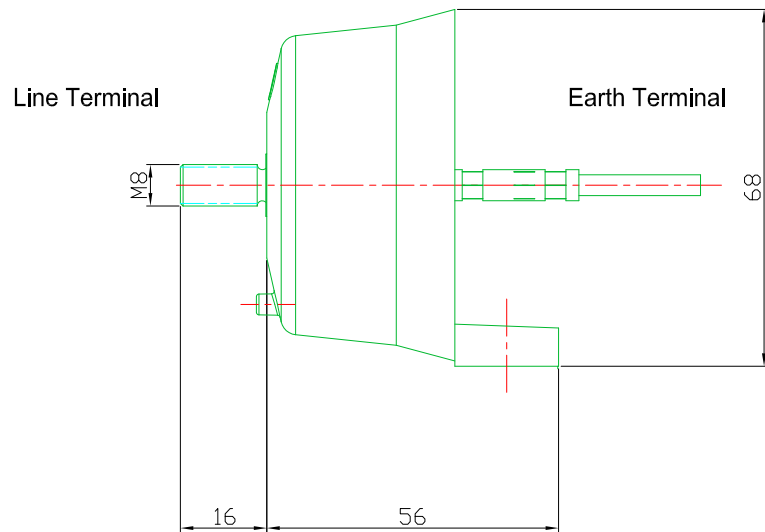
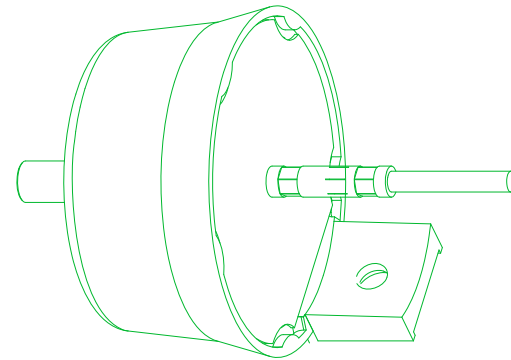



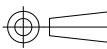
THIS DRAWING IS UNPUBLISHED. RELEASED FOR PUBLICATION
 ALL RIGHTS RESERVED.
 © COPYRIGHT - TE CONNECTIVITY IRELAND LTD, ISC, BLOCK 1, UNIVERSITY OF LIMERICK (NTP), CASTLETOY, LIMERICK, IRELAND

LOC	DIST	REVISIONS			
P	LTR	DESCRIPTION	DATE	DWN	APVD
-	-	A	ORIGINAL ISSUE	04/15	JM -

DESCRIPTION	TCPN No	WEIGHT	TEXT A	TEXT B	TEXT C	TEXT D
LVA-280B-AL	E03307-000	0.263kg	LVA-280B	Up 1.2kV	Uc 280V AC	Wk/Yr
LVA-440B-AL	A72415-000	0.257kg	LVA-440B	Up 1.8kV	Uc 440V AC	Wk/Yr
LVA-440B-AL-CN/YL	CF1114-000	0.257kg	LVA-440B	Up 1.8kV	Uc 440V AC	Wk/Yr

Earthlead - 6Sq mm x 1000mm (+/-10%)



THIS DRAWING IS A CONTROLLED DOCUMENT.		DWN	J MULLIGAN	13/04/2015	 TE Connectivity
		CHK	R ULBRYCH	-	
DIMENSIONS: mm		TOLERANCES UNLESS OTHERWISE SPECIFIED:		APVD P FITZGERALD	
		0 PLC	± 1	PRODUCT SPEC BM3304-000	
		1 PLC	± 0.1	APPLICATION SPEC -	
		2 PLC	± 0.01	SIZE	A3
		3 PLC	± 0.001	CAGE CODE	00779
		4 PLC	± 0.0001	DRAWING NO	C=LV-LVA-00946-C
		ANGLES	± 1	RESTRICTED TO	-
MATERIAL ALL FITTINGS M12, A2 SS		FINISH -		WEIGHT	SEE TABLE
				SCALE	1:1
				SHEET	1 OF 1
				REV	A
				CUSTOMER DRAWING	