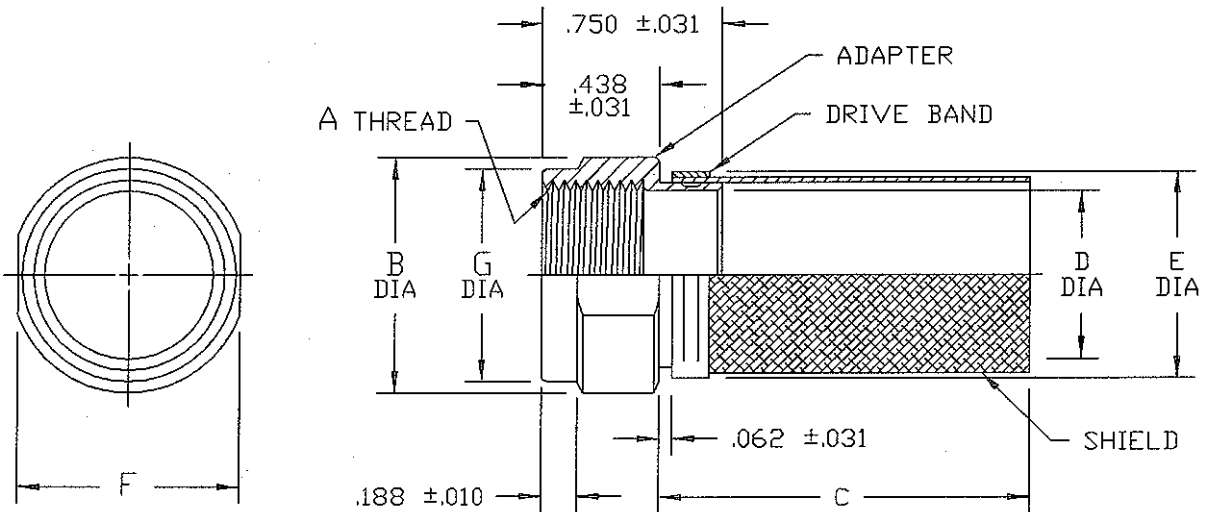


REVISIONS			
LTR	DESCRIPTION	DATE	APPROVED
B	REVISED AND REDRAWN PER ECN AD93012	3/24/93	<i>[Signature]</i>



ADAPTER BODY

RAYCHEM PART NO.	SHELL SIZE		A THREAD, R.H. CLASS 2B	B DIA ±.015	C MIN	D DIA ±.020	E DIA REF.	F ±.015	G DIA +.000 - .009
	COM'L	MIL							
LSS 81-10AA	10	B	.625 - 28 UN	.750	3.000	.500	.700	.703	.684
LSS 81-14AA	14	D	.875 - 28 UN	1.000	3.000	.750	.975	.953	.934
LSS 81-16AA	16	E	1.000 - 28 UN	1.125	4.500	.875	1.100	1.077	1.060

NOTES:

- ASSEMBLY IDENTIFICATION PER MIL-STD-130.
- MATERIAL: ADAPTER: QQ-A-225/3, T3 OR QQ-A-225/6, T4.
DRIVE BAND: QQ-A-225/8, T0.
SHIELD: TINNED COPPER 36 GAUGE PER QQ-B-575.
- FINISH: ADAPTER: ELECTRO-TIN PER MIL-T-10727, TYPE I, .0003 INCH MINIMUM THICKNESS.
DRIVE BAND: CHEMFILM PER MIL-C-5541.
- ELECTROFORMED SHIELD ADAPTER/DRIVE BAND JOINT SHALL BE CAPABLE OF WITHSTANDING 200 POUND TENSILE PULL.
- THREADED ADAPTER SHALL BE MARKED WITH LSS 81-XXAA PART NUMBER.

If this document is printed it becomes uncontrolled. Check for the latest revision

SPECIFICATION CONTROL DRAWING

UNLESS OTHERWISE SPECIFIED DIMENSIONS ARE IN INCHES. METRIC DIMENSIONS ARE IN BRACKETS.

DECIMALS
 .XXX ± — [mm]
 .XX ± — [mm]
 .X ± — [mm]

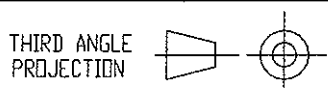
ANGLES
 .X ± —

DRAWN R. RAMIREZ	DATE 03-16-93
CHECKED	DATE
APPROVED	DATE
APPROVED <i>[Signature]</i>	DATE 3/24/93
CAD NAME \\ACAD12\LSS8110A	

Raychem

RAYCHEM CORPORATION
 300 CONSTITUTION DRIVE
 MENLO PARK, CALIFORNIA 94025

TITLE
 EMF SHIELD ADAPTER FOR
 MIL-C-81511,
 SERIES 3 & 4 CONNECTORS



SIZE A	CODE IDENT. NO. 06090	DWG. NO. LSS 81-10AA THRU 81-16AA	REV B
DO NOT SCALE THIS DWG		SHEET 1 OF 1	