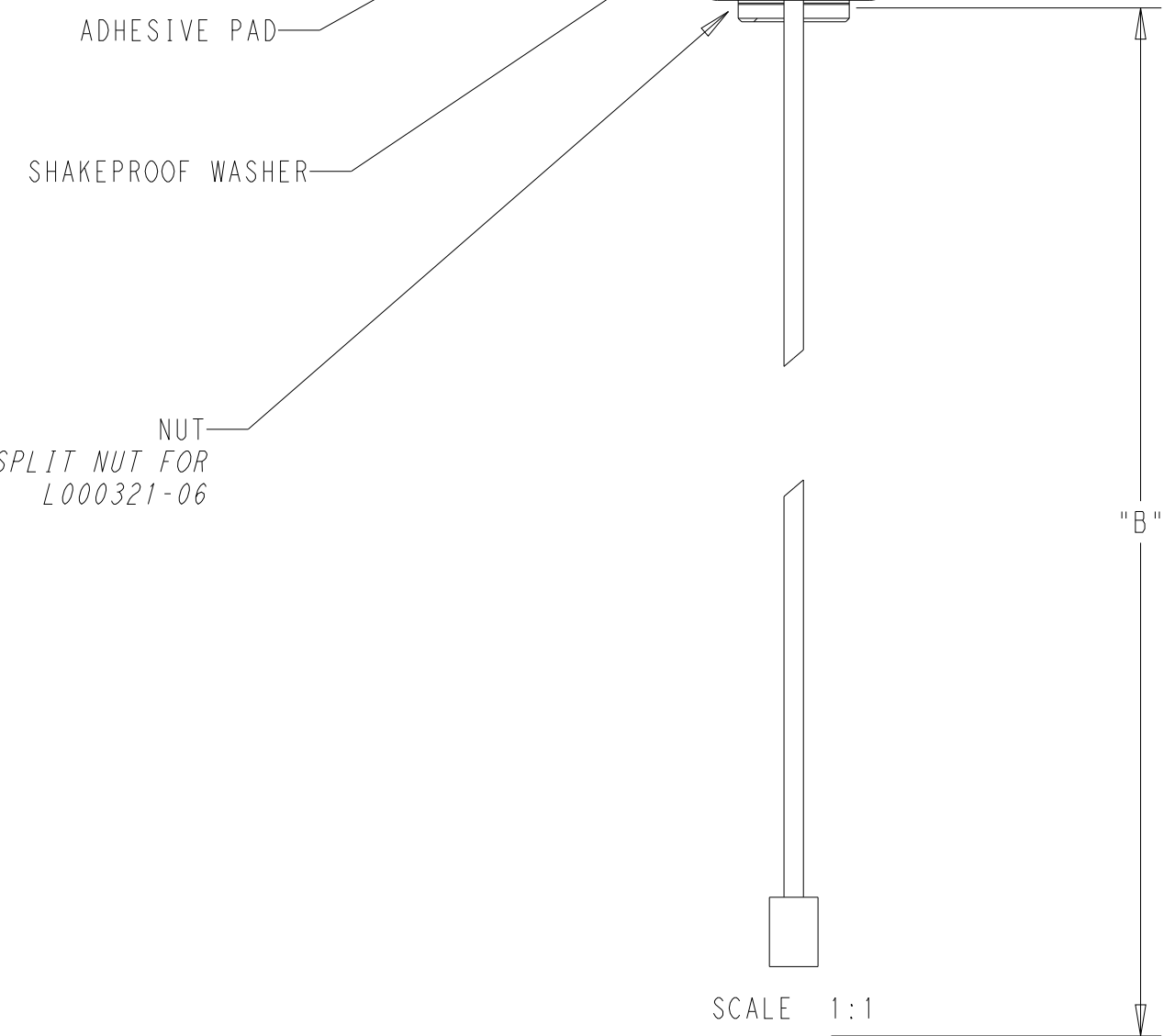
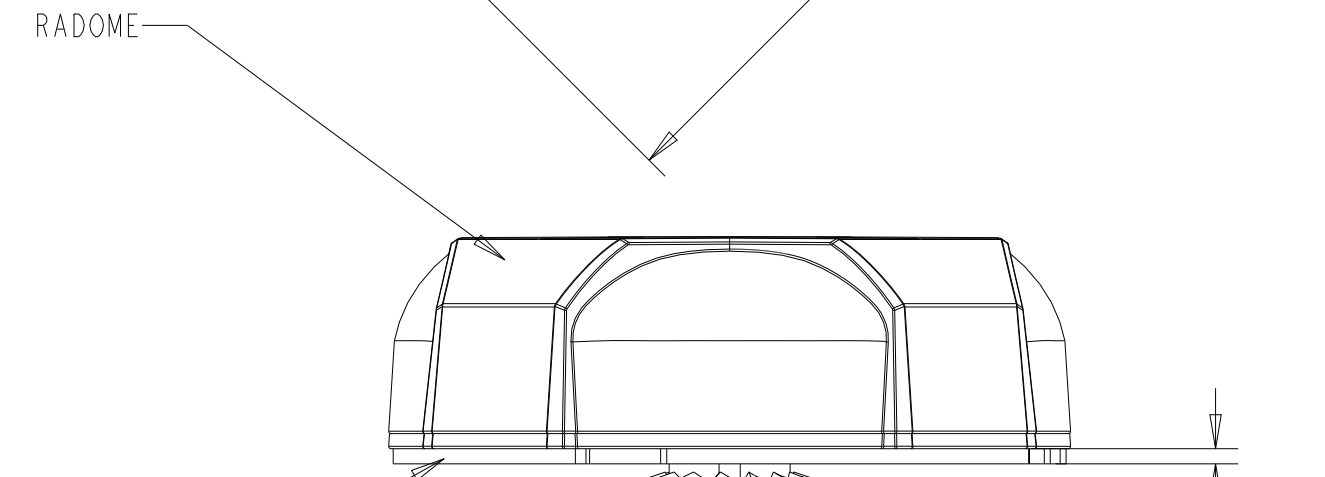
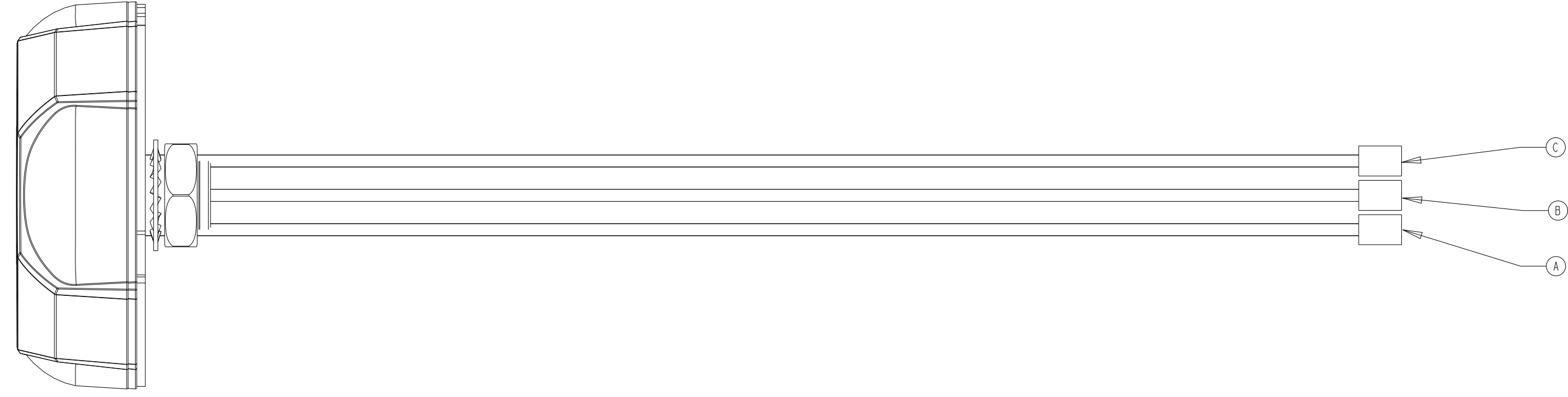
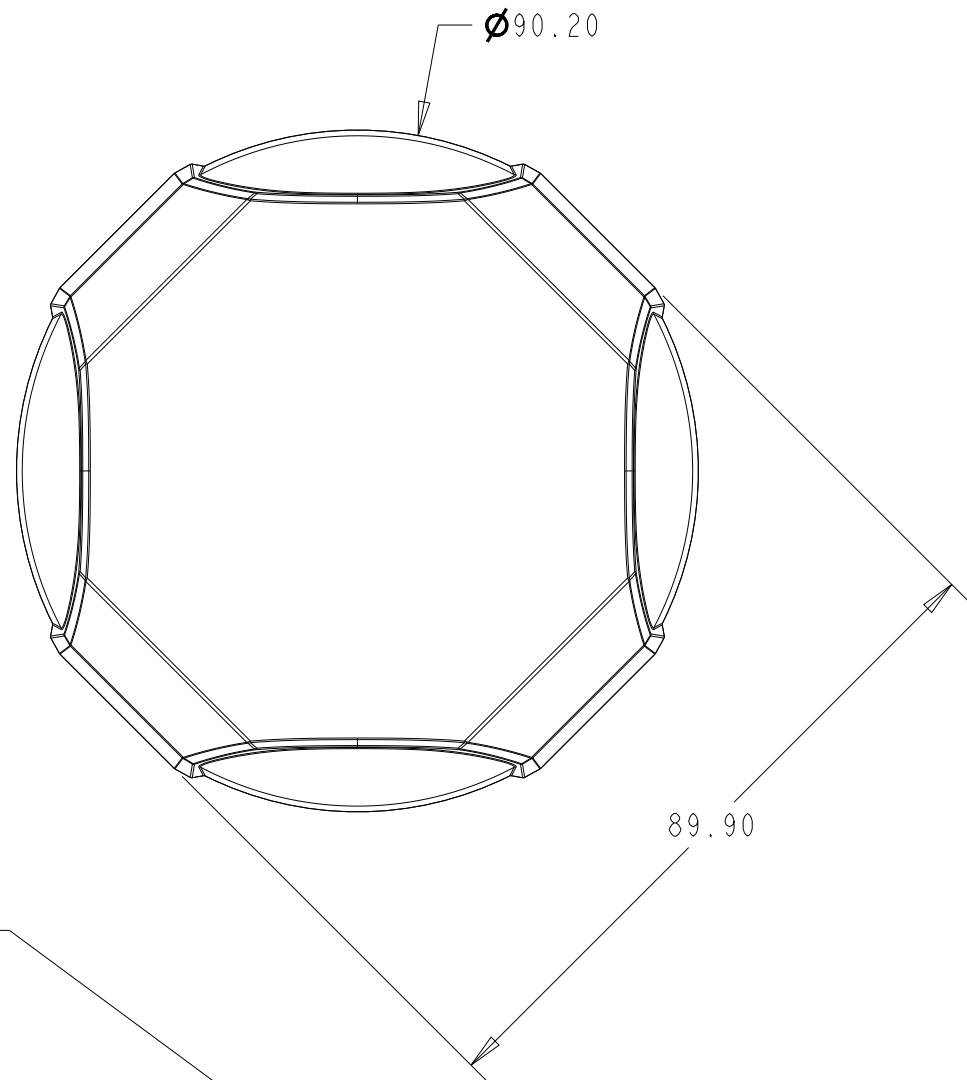


| P | LTR | DESCRIPTION | DATE | DWN | APVD |
|----|-----|-----------------------------------|-----------|-----|------|
| A | | PRODUCTION RELEASE; ECN-23-208042 | 26APR2023 | IZZ | WTN |
| A1 | | ADD NEW VARIANT | 08JUN2023 | IZZ | WTN |
| A2 | | UPDATE DRAWING | 08JUN2023 | IZZ | WTN |
| A3 | | ADD L000321-06 VARIANT | 06MAY2024 | IZZ | WTN |



- NOTES:
1. REFER DATASHEET: ANT-DS-L000321
 2. FREQUENCY RANGE: SEE TABLE
 3. PATTERN: OMNI-DIRECTIONAL
 4. POLARIZATION: LINEAR
 5. MAX. INPUT POWER: 20 Watts
 6. OPERATING TEMPERATURE: -40°C to 85°C (-40 TO 185°F)
 7. MATERIAL: OUTDOOR ASA+PC, BLACK

| Part Number | Description | Ports | Frequency Range | Cable Type | Length | Termination | TE P/N |
|------------------|--------------------------------------|----------|--|-------------------------------|-------------|-----------------|------------|
| LPT69596GT-50FAK | 3-PORT - WIFI & 4G/5G ANTENNA | CELLULAR | 698-750/750-850/850-960/1690-2690/3300-3800Mhz | RG174 | 0.5m (1'7") | FAKRA fwp, D(C) | L000321-06 |
| | | WIFI | 2400-2500Mhz | RG174 | 0.5m (1'7") | FAKRA fwp, I(B) | |
| | | GNSS | 1559-1606Mhz | RG174 | 0.5m (1'7") | FAKRA fwp, C(A) | |
| LPD69596WT-100A | 2-PORT - WIFI & 4G/5G ANTENNA | CELLULAR | 698-750/750-850/850-960/1690-2690/3300-3800Mhz | RG174 | 1.0m (3'3") | SMA (C) | L000321-05 |
| | | WIFI | 2400-2500Mhz | RG174 | 1.0m (3'3") | RP-SMA (B) | |
| LPD69596GT-4572A | 2-PORT - 4G/5G & GNSS, 15ft, ANTENNA | CELLULAR | 698-750/750-850/850-960/1690-2690/3300-3800Mhz | LMR195 | 4.6m (15') | SMA (C) | L000321-04 |
| | | GNSS | 1559-1606Mhz | RG174 | 4.6m (15') | SMA (A) | |
| LPD69596GT-100A | 2-PORT - 4G/5G & GNSS ANTENNA | CELLULAR | 698-750/750-850/850-960/1690-2690/3300-3800Mhz | RG174 | 1.0m (3'3") | SMA (C) | L000321-03 |
| | | GNSS | 1559-1606Mhz | RG174 | 1.0m (3'3") | SMA (A) | |
| LPD24536GT-100A | 2-PORT - WIFI, & GNSS ANTENNA | WIFI | 2400-2500Mhz | LMR195 | 1.0m (3'3") | RP-SMA (B) | L000321-02 |
| | | GNSS | 1559-1606Mhz | RG174 | 1.0m (3'3") | SMA (A) | |
| LPT69596GT-100A | 3-PORT - WIFI, 4G/5G, GNSS ANTENNA | CELLULAR | 698-750/750-850/850-960/1690-2690/3300-3800Mhz | RG174 | 1.0m (3'3") | SMA (C) | L000321-01 |
| | | WIFI | 2400-2500Mhz | RG174 | 1.0m (3'3") | RP-SMA (B) | |
| | | GNSS | 1559-1606Mhz | RG174 | 1.0m (3'3") | SMA (A) | |
| ALIAS | Description | Ports | Frequency Range | Cable Type (MEETS UN ECE 118) | LENGTH "B" | TERMINATION | TE P/N |

SCALE 1:1

THIS DRAWING IS A CONTROLLED DOCUMENT.

| | | |
|------|----------|---------|
| DWN | IZZUDDIN | 18OCT22 |
| CHK | SJ NOH | 18OCT22 |
| APVD | WT NG | 18OCT22 |

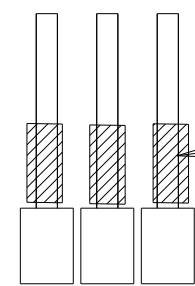
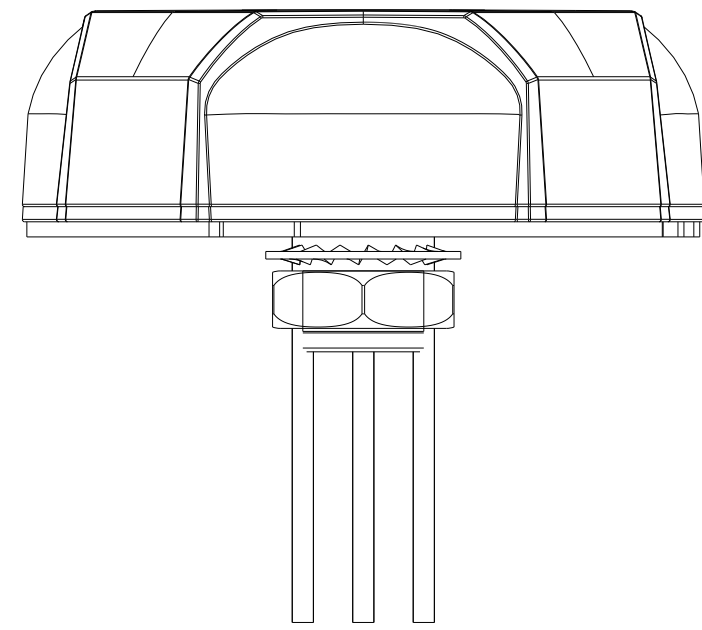
STE TE Connectivity

NAME: 3-PORT - WIFI, 4G/5G, GNSS ANTENNA

| | | | |
|------|-----------|------------|---------------|
| SIZE | CAGE CODE | DRAWING NO | RESTRICTED TO |
| A2 | 00779 | C=L000321 | - |

CUSTOMER DRAWING SCALE 1:2 SHEET 1 OF 3 REV A3

| P | LTR | DESCRIPTION | DATE | DWN | APVD |
|---|-----|-------------|------|-----|------|
| - | | SEE SHEET 1 | - | - | - |
| | | | | | |
| | | | | | |

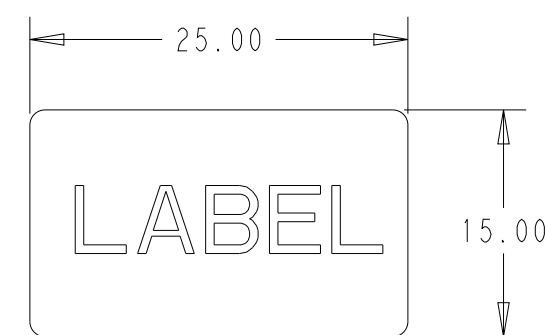


SCALE 1:1

HEAT SHRINK TUBE IDENTIFICATION

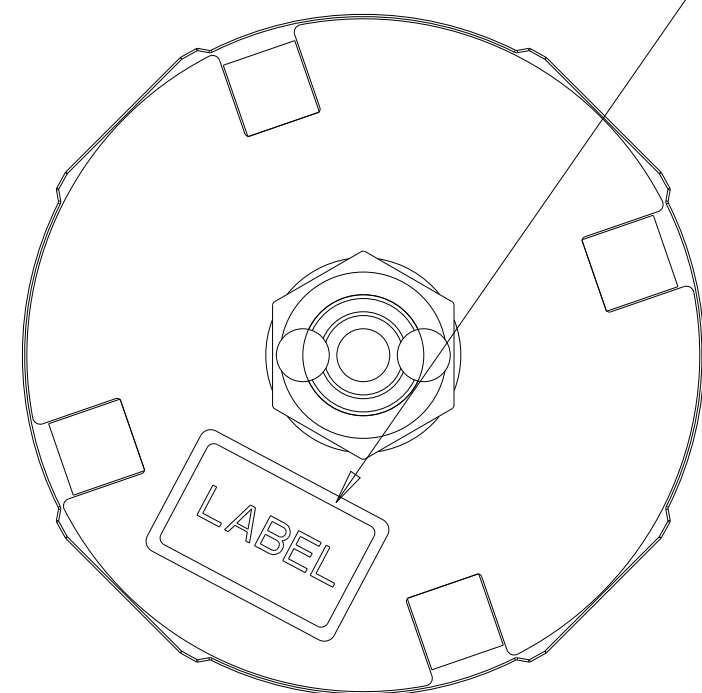
| | CELLULAR | WIFI | GNSS |
|------------|----------|------|-------|
| HST COLOUR | YELLOW | RED | WHITE |

PRODUCT LABEL



SCALE 2:1

ADHESIVE



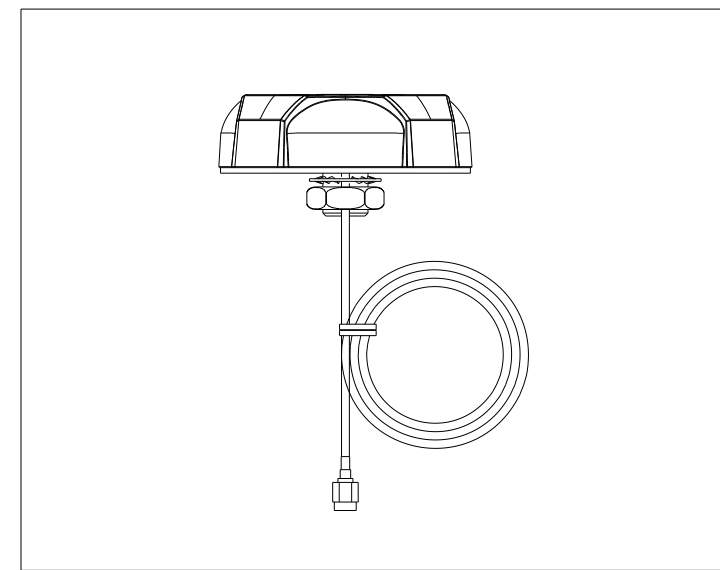
TE P/N - ALIAS
 LPXXX6X-XXXXA (SEE TABLE SHEET 1)

DATE CODE
 YYWWD
 DATE CODE (YEAR/WEEK/DAY): 22031

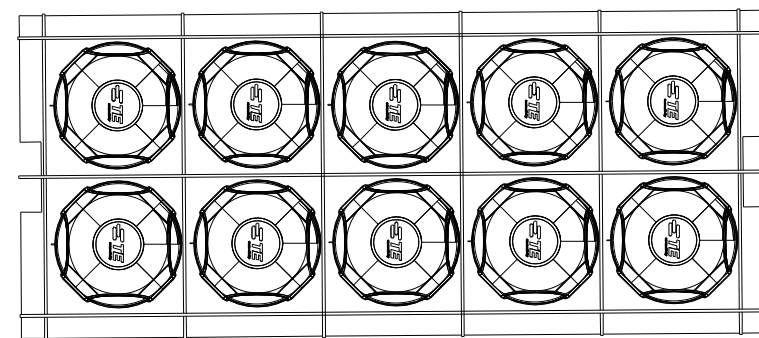
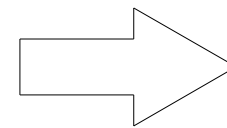
TE LABEL CODE
 TE L000321-0XYYWWD000001
 SERIAL NUMBER: 000001-999999
 DATE CODE (YEAR/WEEK/DAY): 22031
 TE P/N: L000321-0X (SEE TABLE SHEET 1)

| | | | | |
|---|--|----------------------------|---|-------------------------------|
| THIS DRAWING IS A CONTROLLED DOCUMENT. | | DWN IZZUDDIN 18OCT22 | TE Connectivity | |
| DIMENSIONS: mm | | CHK SJ NOH 18OCT22 | | |
| TOLERANCES UNLESS OTHERWISE SPECIFIED: | | APVD WT NG 18OCT22 | NAME 3-PORT - WIFI, 4G/5G, GNSS ANTENNA | |
| 0 PLC ±- 1 PLC ±0.1 2 PLC ±0.01 3 PLC ±0.001 4 PLC ±0.0001 ANGLES ±- FINISH - | | PRODUCT SPEC - | APPLICATION SPEC - | RESTRICTED TO - |
| MATERIAL SEE NOTE | | WEIGHT - | SIZE A2 | CAGE CODE 00779 |
| | | CUSTOMER DRAWING | DRAWING NO C-L000321 | SCALE 1:2 SHEET 2 OF 3 REV A3 |

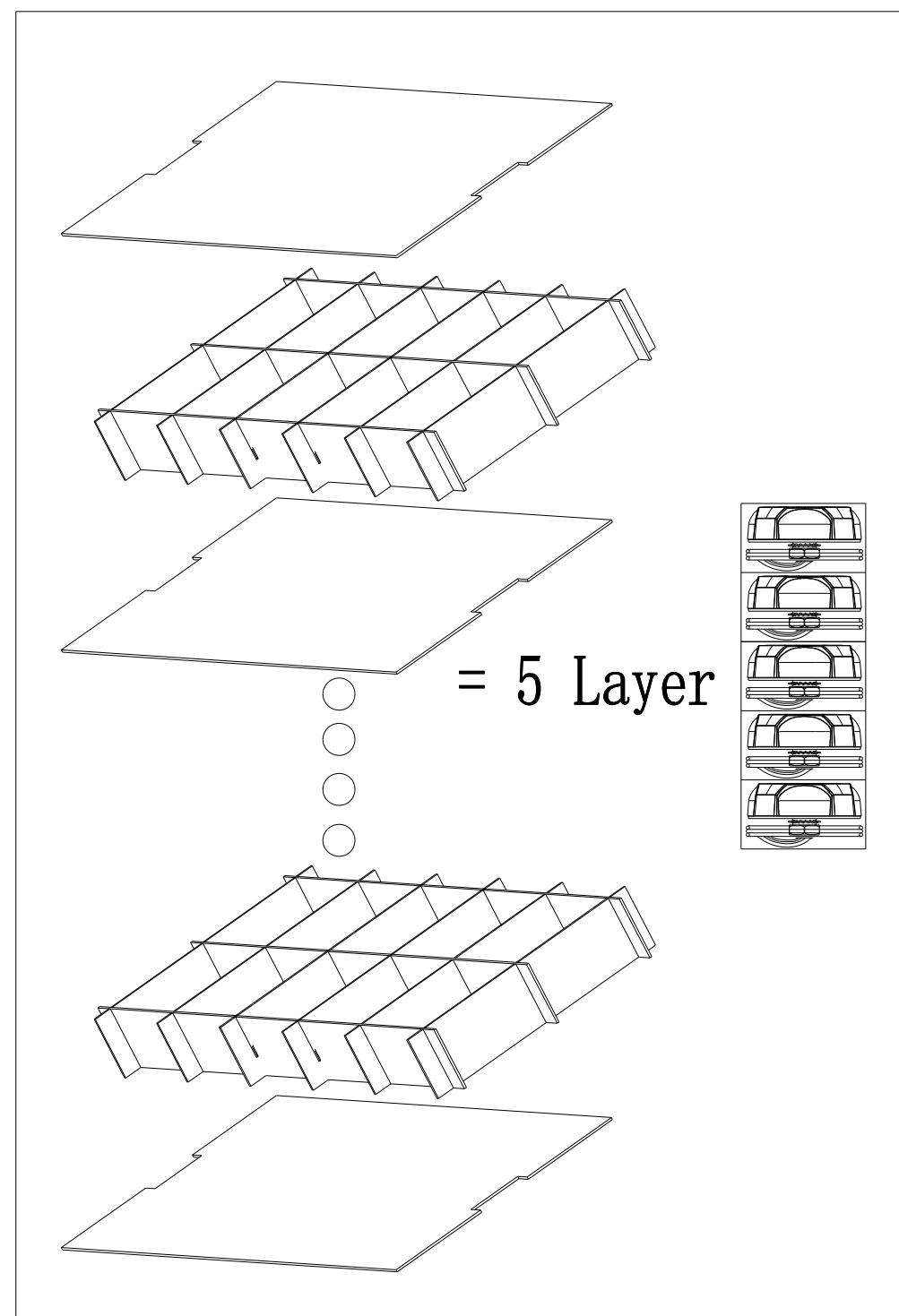
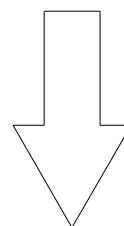
| P | LTR | DESCRIPTION | DATE | DWN | APVD |
|---|-----|-------------|------|-----|------|
| - | - | SEE SHEET 1 | - | - | - |
| | | | | | |
| | | | | | |



1PCS/BUBBLE PACK



5 PCS*2 grid=10 PCS/layer



waterproof bag

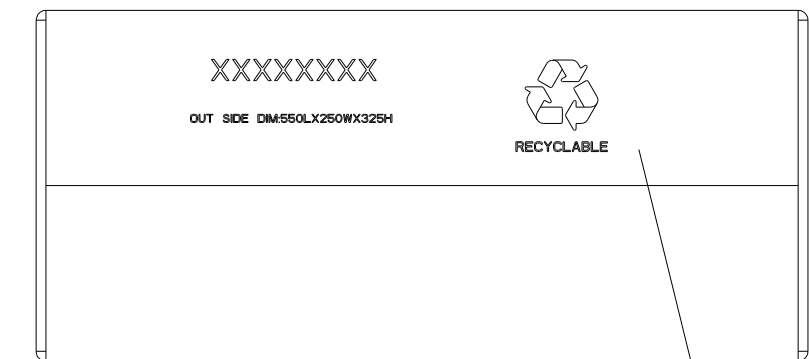
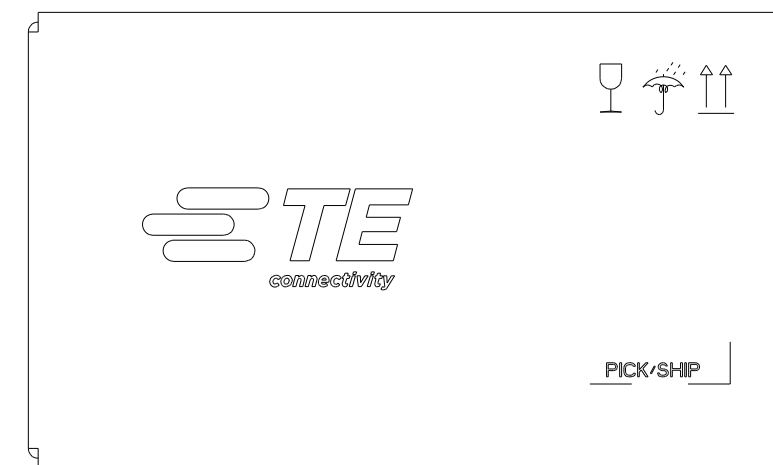
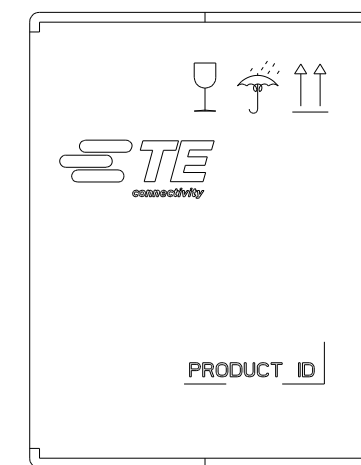
= 5 Layer

10 PCS/layer*5=50 PCS/BOX

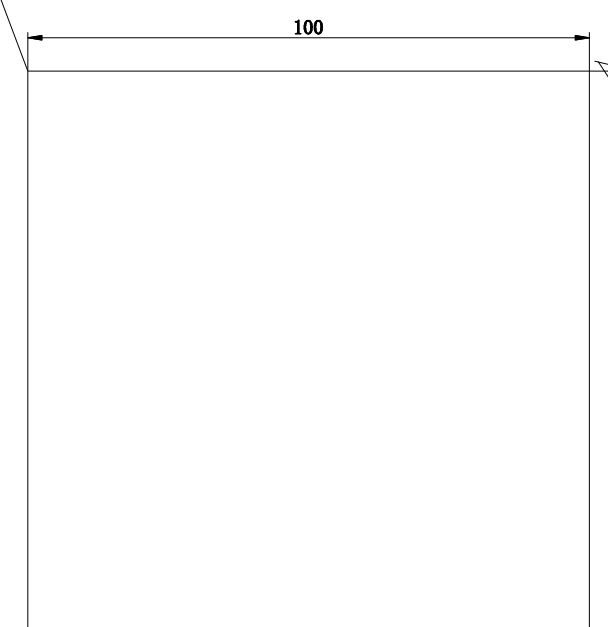
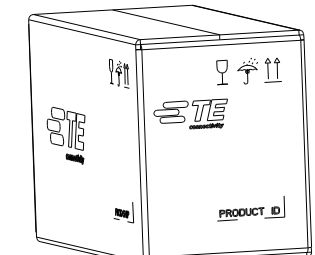
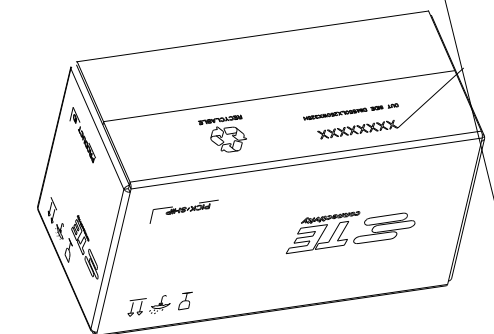
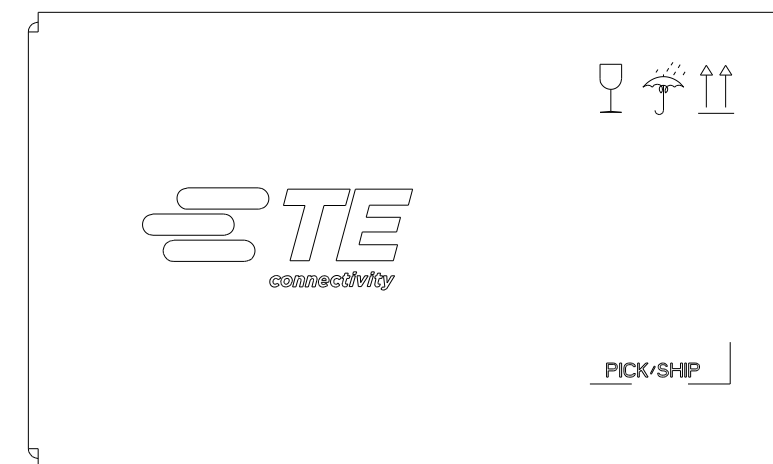
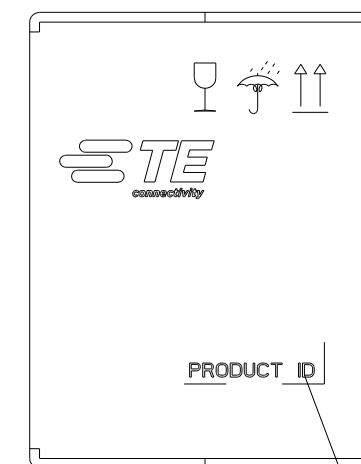
NOTE:

1. PACKING: 1PCS/BUBBLE PACK
BUBBLE PACK SIZE: 150x100mm
2. 50PCS/CARTON + BOX LABEL
3. N.W 9.66 KGS
4. G.W 10.41 KGS
5. KNIFE CARD SIZE: 15xL532x55mm
6. KNIFE CARD SIZE: 30xL232x55mm
7. COVER SIZE: 6xL532x232mm
8. CARTON SIZE: L550xW250xH325mm
MARK PRINT COLOR: BLACK
9. LABEL: L25x15mm+L100xW100mm
WHITE BOTTOM, BLACK WORD
PRINT WORD DESCRIPTION BUSSINESS OFFER

SIDE MARK



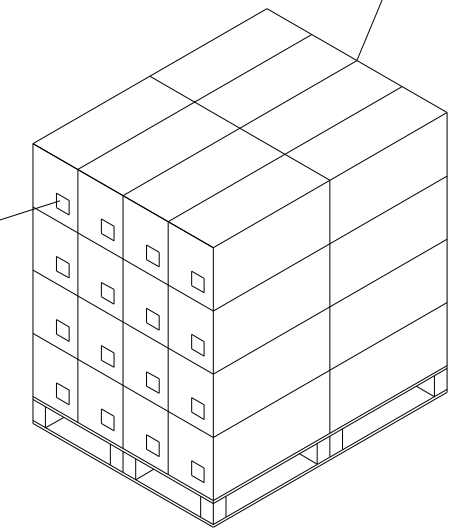
SHIPPING MARK



SEE TE SAP SYSTEM LABEL

LABEL SURFACE

LABEL SURFACE



pallet 1200*1000*150
layout: 2*4 (Pile H<1.6m)

| | | | | | | | | | |
|--|----------|------------------|----------|---------|-------|------------------------------------|------------|---------------|--|
| THIS DRAWING IS A CONTROLLED DOCUMENT. | | DWN | IZZUDDIN | 18OCT22 | | TE Connectivity | | | |
| DIMENSIONS: | | CHK | SJ NOH | 18OCT22 | | NAME | | | |
| mm | | APVD | WT NG | 18OCT22 | | 3-PORT - WIFI, 4G/5G, GNSS ANTENNA | | | |
| TOLERANCES UNLESS OTHERWISE SPECIFIED: | | PRODUCT SPEC | | | SIZE | CAGE CODE | DRAWING NO | RESTRICTED TO | |
| 0 PLC | ± | APPLICATION SPEC | | | A2 | 00779 | C=L000321 | - | |
| 1 PLC | ±0.1 | WEIGHT | | | SCALE | 1:2 | SHEET | 3 OF 3 | |
| 2 PLC | ±0.01 | CUSTOMER DRAWING | | | REV | A3 | | | |
| 3 PLC | ±0.001 | | | | | | | | |
| 4 PLC | ±0.0001 | | | | | | | | |
| ANGLES | ± | | | | | | | | |
| FINISH | - | | | | | | | | |
| MATERIAL | SEE NOTE | | | | | | | | |