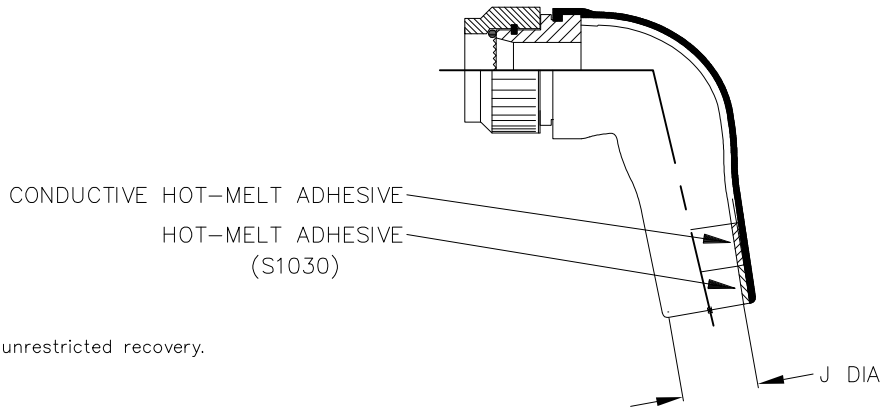


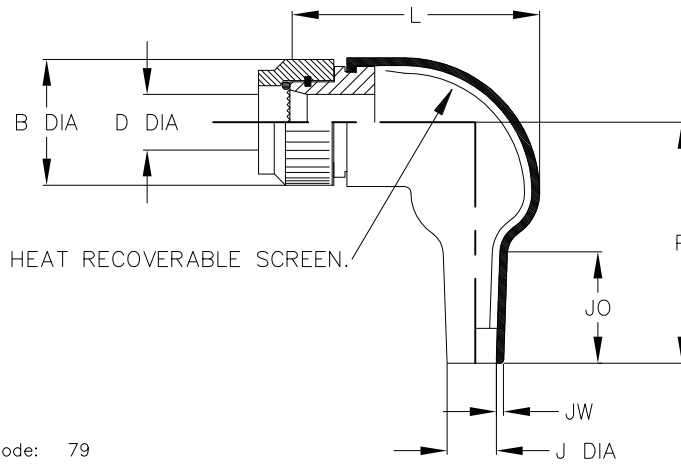
REVISIONS

P	LTR	DESCRIPTION	DATE	DWN	APVD
	4	RELEASED AS PER ECO-17-009529	03JUL2017	KH	MP

a) Part as supplied.



b) Part after unrestricted recovery.



NOTES:

Raychem Connector Code: 79  
 Connector Series: (PATT 608)  
 Adaptor Series: 229M1\*\*-01-W\*\*-K-NS  
 Nickel Aluminium Bronze to BS2874 CA104 OR ASTM C 63200 OR ASTM B150  
 Unplated, Shotblast - Glass Bead  
 Moulded Part Material: -100C (Black); Polyolefin/Silver Composites, semi-flexible  
 ZEROHAL™ Low fire hazard

Kits to include cleaning tissue, 1 piece 100 grit emery cloth & packing piece.  
 Kit to be used in conjunction with installation guide for 90 & 45 deg. assemblies.

Dimensions in mm [inches for reference]

Part No.	Shell Size	B DIA MAX	D DIA MIN	J		P ±10% b	L ±10% b	JO REF b	JW ±30% b
				MIN a	MAX b				
KTKK1021	10	21.4 [.84]	9.4 [.37]	9 [.35]	6.0 [.24]	38 [1.49]	38 [1.49]	17 [.67]	1.0 [.04]
KTKK1022	12	24.4 [.96]	14.0 [.55]	11 [.43]	7.2 [.28]	42 [1.65]	41 [1.61]	18 [.71]	1.0 [.04]
KTKK1023	14	29.3 [1.15]	14.2 [.56]	11 [.43]	7.2 [.28]	42 [1.65]	41 [1.61]	18 [.71]	1.0 [.04]
KTKK1024	16	30.9 [1.12]	18.9 [.74]	17 [.67]	8.5 [.33]	51 [2.01]	48 [1.88]	20 [.79]	1.0 [.04]
KTKK1025	18	33.9 [1.33]	18.9 [.74]	17 [.67]	8.5 [.33]	51 [2.01]	48 [1.88]	20 [.79]	1.0 [.04]
KTKK1026	20	38.6 [1.52]	23.7 [.93]	21 [.83]	10.0 [.39]	67 [2.64]	55 [2.17]	28 [1.10]	1.5 [.06]
KTKK1027	22	38.6 [1.52]	23.7 [.93]	21 [.83]	10.0 [.39]	67 [2.64]	55 [2.17]	28 [1.10]	1.5 [.06]
KTKK1028	24	42.6 [1.68]	31.7 [1.25]	29 [1.14]	15.8 [.62]	80 [3.15]	64 [2.52]	31 [1.22]	1.5 [.06]

RELEASED FOR PUBLICATION

ALL RIGHTS RESERVED.

COPYRIGHT 2016 By TE Connectivity

THIS DRAWING IS UNPUBLISHED.

DIMENSIONS: mm [INCHES]	DWN K. HOLAL 14OCT2016	MATERIAL SEE NOTES	FINISH SEE NOTES
	CHK N. NAGAR 14OCT2016	TE Connectivity	
TOLERANCES UNLESS OTHERWISE SPECIFIED:	APVD M. POPE 14OCT2016		
0 PLC ± -	PRODUCT SPEC	SIZE A4	
1 PLC ± -	APPLICATION SPEC	CAGE CODE 00779	DRAWING NO KTKK1021-1028
2 PLC ± -	WEIGHT	RESTRICTED TO -	
3 PLC ± -		SCALE DNS	
4 PLC ± -		SHEET 1 OF 1	
ANGLES ± -		REV 4	
CUSTOMER DRAWING			

