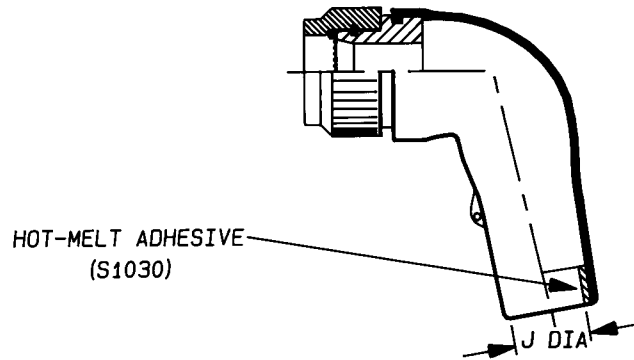
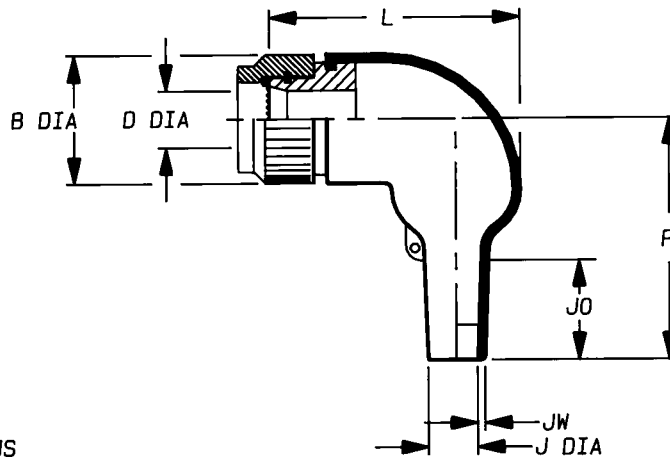


a) Part as supplied.

KTKK 0476-0485



b) Part after unrestricted recovery.



Raychem connector code: - 79
Connector series: - (PATT 608)
Adaptor Series: - 229M1**-01-W**-K-NS
Moulded Part Material: - -100

Kits to include cleaning tissue & 1 piece 100 grit emery cloth.
Kit to be used in conjunction with installation guide for 90 & 45 deg. assemblies.

Dimensions (in millimetres.)

Part No.	SHELL SIZE	B	D	J		L	P	JO	JW
		DIA MAX	DIA MIN	MIN a	MAX b	±20% b	±20% b	REF b	±30% b
KTKK 0476	08	19.4	6.3	7	5.6	35	25	8.5	0.5
KTKK 0477	10	21.4	9.4	9	5.9	37	32	8.5	0.8
KTKK 0478	12	24.4	14.0	11	7.1	41	39	15.0	1.0
KTKK 0479	14	29.3	14.2	11	7.1	41	39	15.0	1.0
KTKK 0480	16	30.9	18.9	17	8.4	48	46	16.0	1.0
KTKK 0481	18	33.9	18.9	17	8.4	48	46	16.0	1.0
KTKK 0482	20	38.6	23.7	21	9.9	55	55	17.5	1.0
KTKK 0483	22	38.6	23.7	21	9.9	55	55	17.5	1.0
KTKK 0484	24	42.6	31.7	29	15.7	64	80	32.0	1.5
KTKK 0485	22	38.6	29.0	29	15.7	64	80	32.0	1.5

Copyright (!)

Urheberrechte

The copyright in this drawing is the property of Raychem Ltd. The drawing is issued on condition that it is not copied, reproduced or disclosed to a third party, either in whole or in part without the prior written consent of Raychem Ltd.

Drawn A.LILLEY. Checked *SL* Issue 8 Date January 1994 Conforms to ISO Recommendations
3rd Angle Projection
Not to Scale

Approval
Design

AAR. Sutter

MKTG.

SL

Q.C.

MR

