

P	LTR	DESCRIPTION	DATE	DWN	APVD
	A1	NEW DRAWING	01.04.2020	SI	SI

KAPTON LABELS OVERVIEW

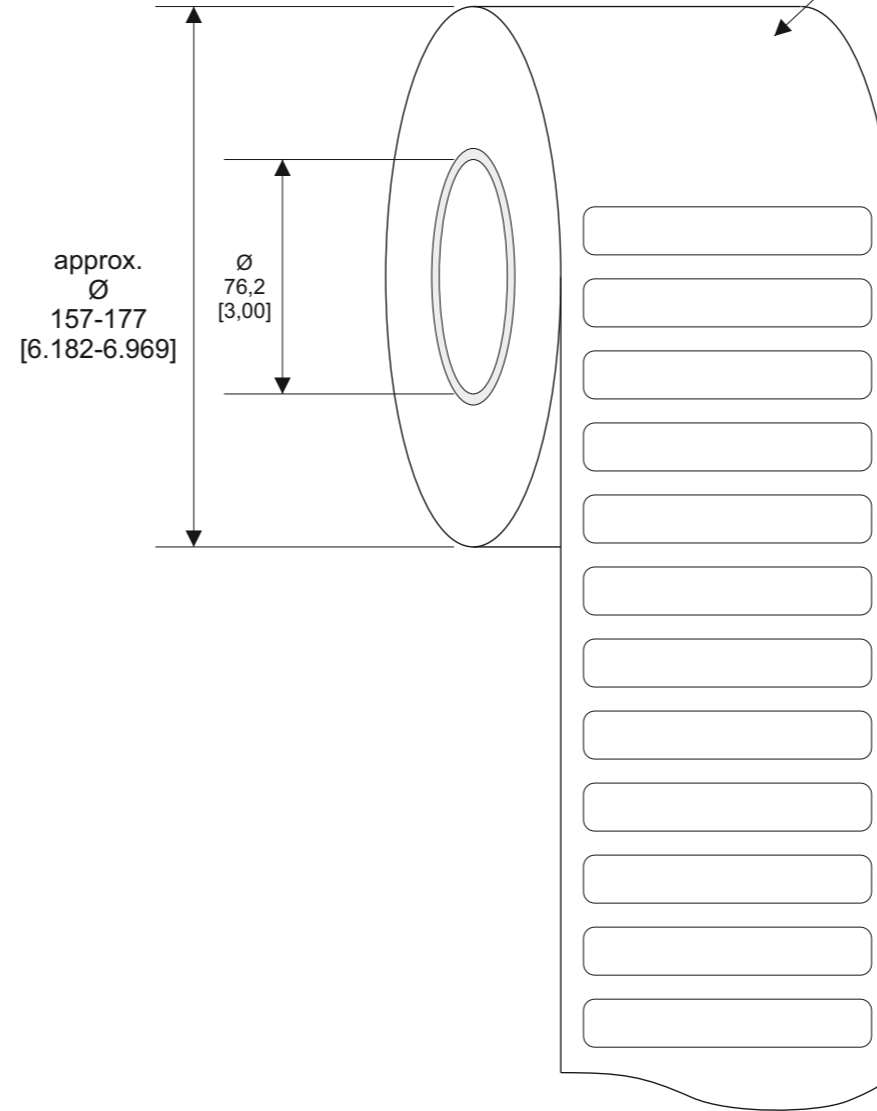
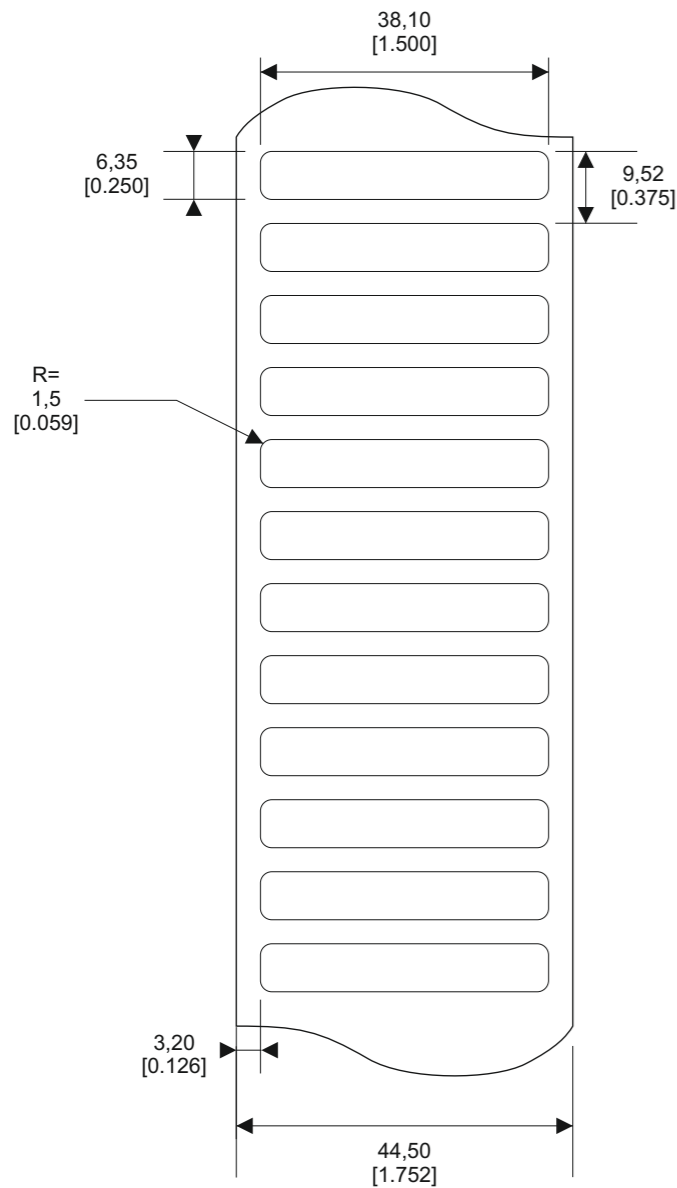
SERIES	PART NO.	DESCRIPTION	MATERIAL	TTDS
T1K	E27450-000	T1K-381064-10-9	KP228, Kapton white gloss (0,063 mm), Acrylic adhesive	TTDS-034
T2K	A11115-000	T2K-381064-10-9	KP842, Kapton white gloss (0,118 mm), Acrylic adhesive	TTDS-035

Quantity per roll: 10.000 PCs

Labels across: 1

Winding: outside


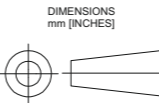


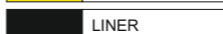
length of roll: 95,3 m



KAPTON SERIES

All dimensions in mm [inch]

labels are centered on the liner as long as not declared separately

LABEL BUILD DETAILS		TOLERANCES mm [INCH]		THIS DRAWING IS A CONTROLLED DOCUMENT		DWN S. Iser / 01.04.2020 DATE		TE Connectivity	
	SUBSTRATE	LABEL HEIGHT:	±0,3 [0,12]	 DIMENSIONS mm [INCHES] TOLERANCES UNLESS OTHERWISE SPECIFIED: 0 PLC ± - 1 PLC ± - 2 PLC ± - 3 PLC ± - 4 PLC ± - ANGLES ± -	CHK S. Iser / 01.04.2020 DATE	 Name Kapton Label Size „381064“			
	ADHESIVE	LABEL WIDTH:	±0,3 [0,12]		APVD S. Iser / 01.04.2020 DATE				
	LINER	WEB WIDTH:	±0,8 [0,31]		PRODUCT SPEC DATE				
		VERTICAL REPEAT:	±0,8 [0,31]*		APPLICATION SPEC DATE				
		HORIZONTAL REPEAT:	±0,8 [0,31]*	WEIGHT T1K: 0,024 g T2K: 0,036g	SIZE A3	CAGE CODE C2290	DRAWING NO. C-KAPTON	RESTRICTED TO	
		PRINT POSITIONING:	±0,8 [0,31]*	MATERIAL SEE TABLE	FINISH GLOSS UNPRINTED MATT PRINTED	CUSTOMER DRAWING			
		LEFT MARGIN:	±0,4 [0,16]			SHEET 1 of 1			
		QUANTITY:	-0% +2%			REV A1			
		*NON ACCUMULATING							