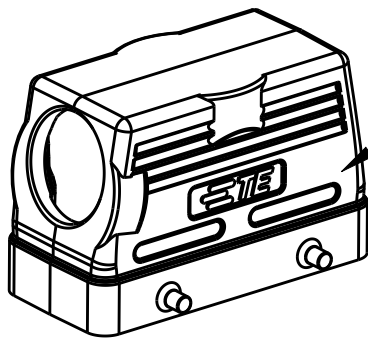


REVISIONS

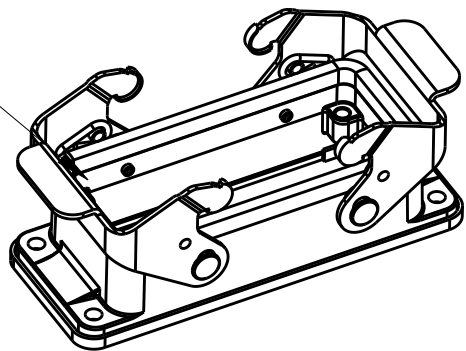
P	LTR	DESCRIPTION	DATE	DWN	APVD
	A	INITIAL RELEASE	23SEP2015	DL	CW

NOTES:

- 1 SET OF PRODUCT (K0000000053-000) CONTAIN:  
 1 PC ITEM No.1 (T2040163201-000) AND 1PC ITEM No.2 (T2040163101-000) ARE IN ONE BAG WITH ASSEMBLY STAGE;  
 1 PC ITEM No.3 (T1410162000-000) IN ONE BAG;  
 1 PC ITEM No.4 (T1210160132-000) IN ONE BAG;
- 1 SET OF PRODUCT (K0000000053-000) IS PUT IN ONE INNER-BOX;  
 20 INNER-BOXS IN ONE CARTON.



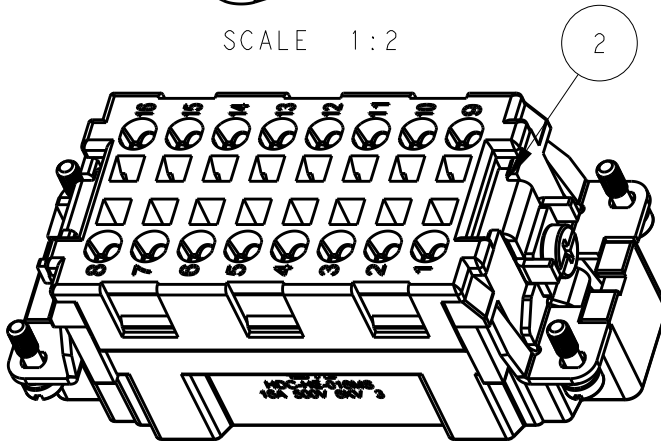
4



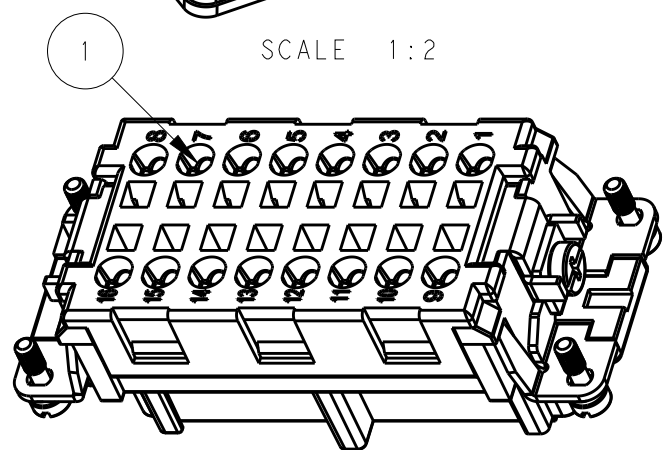
3

SCALE 1:2

SCALE 1:2



2



1

ITEM No.	PART NUMBER	PART DESCRIPTION	PART TYPE	Q'TY
K0000000053-000				
4	T1210160132-000	HOOD	H16B-TS-M32	1
3	T1410162000-000	HOUSING	H16B-AG	1
2	T2040163101-000	MALE INSERT	HE-016-MS	1
1	T2040163201-000	FEMALE INSERT	HE-016-FS	1

DIMENSIONS: mm	DWN DAVID LI 23SEP2015	MATERIAL TBD	FINISH -
TOLERANCES UNLESS OTHERWISE SPECIFIED: 0 PLC ±- 1 PLC ±- 2 PLC ±- 3 PLC ±- 4 PLC ±- ANGLES ±-	CHK CHRIS WANG 23SEP2015		
PRODUCT SPEC -	APVD XU XIANG 23SEP2015		
APPLICATION SPEC -	NAME HDC-HE-016-MS-M32 KITS		
WEIGHT -	SIZE A4	CAGE CODE -	DRAWING NO C-K0000000053000
CUSTOMER DRAWING	RESTRICTED TO -	SCALE 1:1	SHEET 1 OF 1
			REV A

20

RELEASED FOR PUBLICATION

ALL RIGHTS RESERVED.

BY -

© COPYRIGHT 20

THIS DRAWING IS UNPUBLISHED.