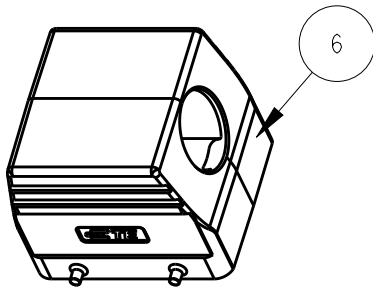


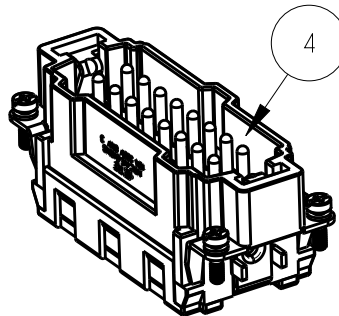
REVISIONS					
P	LTR	DESCRIPTION	DATE	DWN	APVD
	A	INITIAL RELEASE	06SEP2015	DL	CW

NOTES:

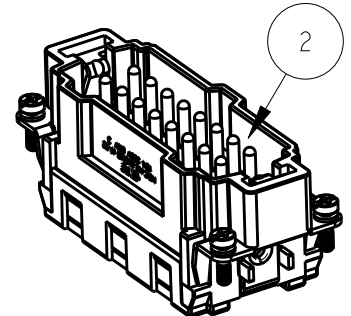
- 1 SET OF PRODUCT (K0000000015-000) CONTAIN:
 1 PC ITEM No.1 (T2040323201-000) AND 1PC ITEM No.2 (T2040323101-000) ARE IN ONE BAG WITH ASSEMBLY STAGE;
 1 PC ITEM No.3 (T2040163201-000) AND 1PC ITEM No.4 (T2040163101-000) ARE IN ONE BAG WITH ASSEMBLY STAGE;
 1 PC ITEM No.5 (T1440322129-000) IN ONE BAG;
 1 PC ITEM No.6 (T1210320129-000) IN ONE BAG;
- 1 SET OF PRODUCT (K0000000015-000) IS PUT IN ONE INNER-BOX;
 10 INNER-BOXS IN ONE CARTON.



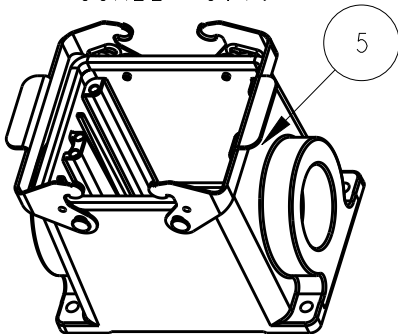
SCALE 3:10



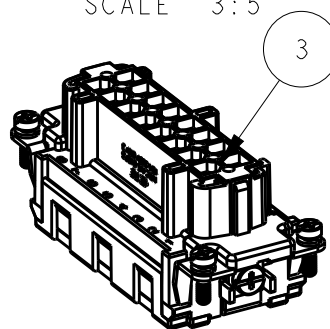
SCALE 3:5



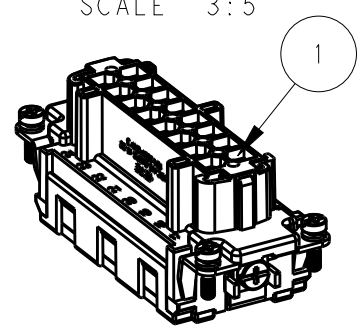
SCALE 3:5



SCALE 3:10



SCALE 3:5



SCALE 3:5

K0000000015-000				
ITEM No.	PART NUMBER	PART DESCRIPTION	PART TYPE	Q'TY
6	T1210320129-000	HOOD	H32B-TS-PG29	1
5	T1440322129-000	HOUSING	H32B-SGR-PG29	1
4	T2040163101-000	MALE INSERT	HE-016-MS	1
3	T2040163201-000	FEMALE INSERT	HE-016-FS	1
2	T2040323101-000	MALE INSERT	HE-016-MS (17-32)	1
1	T2040323201-000	FEMALE INSERT	HE-016-FS (17-32)	1


20
RELEASED FOR PUBLICATION

ALL RIGHTS RESERVED.

THIS DRAWING IS UNPUBLISHED.

BY -

COPYRIGHT 20

DIMENSIONS: mm	DWN DAVID LI	06SEP2015	MATERIAL TBD	FINISH -		
	CHK CHRIS WANG	06SEP2015				
TOLERANCES UNLESS OTHERWISE SPECIFIED:	APVD XU XIANG	06SEP2015			NAME HDC-HE-032.2-MS KITS	
0 PLC ±-	PRODUCT SPEC	-	SIZE	CAGE CODE	DRAWING NO	RESTRICTED TO
1 PLC ±-	APPLICATION SPEC	-	A 4	-	©-K0000000015000	-
2 PLC ±-	WEIGHT	-	CUSTOMER DRAWING		SCALE	SHEET
3 PLC ±-					1:1	1 OF 1
4 PLC ±-						REV
ANGLES ±-						A

