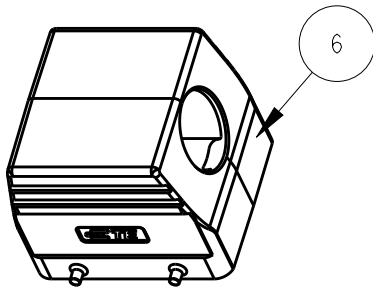


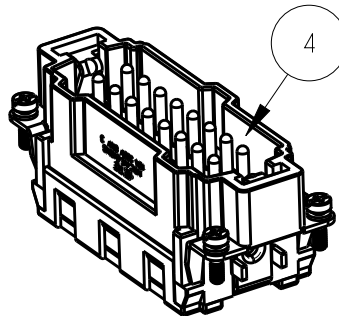
REVISIONS					
P	LTR	DESCRIPTION	DATE	DWN	APVD
	A	INITIAL RELEASE	06SEP2015	DL	CW

NOTES:

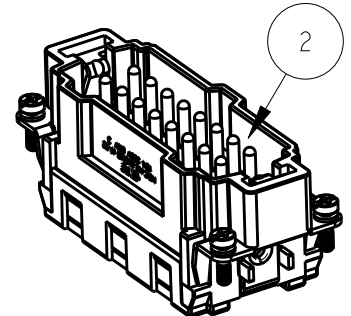
- 1 SET OF PRODUCT (K0000000010-000) CONTAIN:
 1 PC ITEM No.1 (T2040323201-000) AND 1PC ITEM No.2 (T2040323101-000) ARE IN ONE BAG WITH ASSEMBLY STAGE;
 1 PC ITEM No.3 (T2040163201-000) AND 1PC ITEM No.4 (T2040163101-000) ARE IN ONE BAG WITH ASSEMBLY STAGE;
 1 PC ITEM No.5 (T1410322000-000) IN ONE BAG;
 1 PC ITEM No.6 (T1210320129-000) IN ONE BAG;
- 1 SET OF PRODUCT (K0000000010-000) IS PUT IN ONE INNER-BOX;
 10 INNER-BOXES IN ONE CARTON.



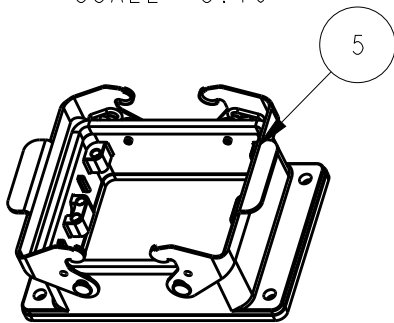
SCALE 3:10



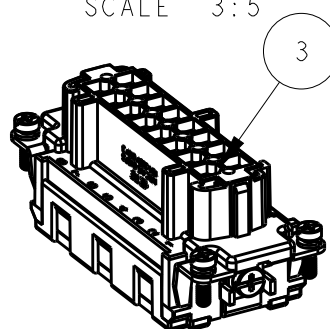
SCALE 3:5



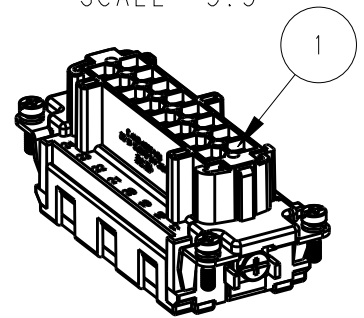
SCALE 3:5



SCALE 3:10



SCALE 3:5



SCALE 3:5

K0000000010-000

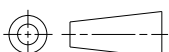
6	T1210320129-000	HOOD	H32B-TS-PG29	1
5	T1410322000-000	HOUSING	H32B-AG	1
4	T2040163101-000	MALE INSERT	HE-016-MS	1
3	T2040163201-000	FEMALE INSERT	HE-016-FS	1
2	T2040323101-000	MALE INSERT	HE-016-MS (17-32)	1
1	T2040323201-000	FEMALE INSERT	HE-016-FS (17-32)	1
ITEM No.	PART NUMBER	PART DESCRIPTION	PART TYPE	Q'TY

DIMENSIONS:

mm

TOLERANCES UNLESS OTHERWISE SPECIFIED:

0 PLC ±-
 1 PLC ±-
 2 PLC ±-
 3 PLC ±-
 4 PLC ±-
 ANGLES ±-



DWN DAVID LI 06SEP2015

CHK CHRIS WANG 06SEP2015

APVD XU XIANG 06SEP2015

PRODUCT SPEC

APPLICATION SPEC

WEIGHT -

CUSTOMER DRAWING

MATERIAL TBD

FINISH -



TE Connectivity

NAME HDC-HE-032-MS KITS

SIZE A4 CAGE CODE - DRAWING NO C-K0000000010000 RESTRICTED TO -

SCALE 1:1 SHEET 1 OF 1 REV A

20

RELEASED FOR PUBLICATION

ALL RIGHTS RESERVED.

THIS DRAWING IS UNPUBLISHED.

BY -

© COPYRIGHT 20