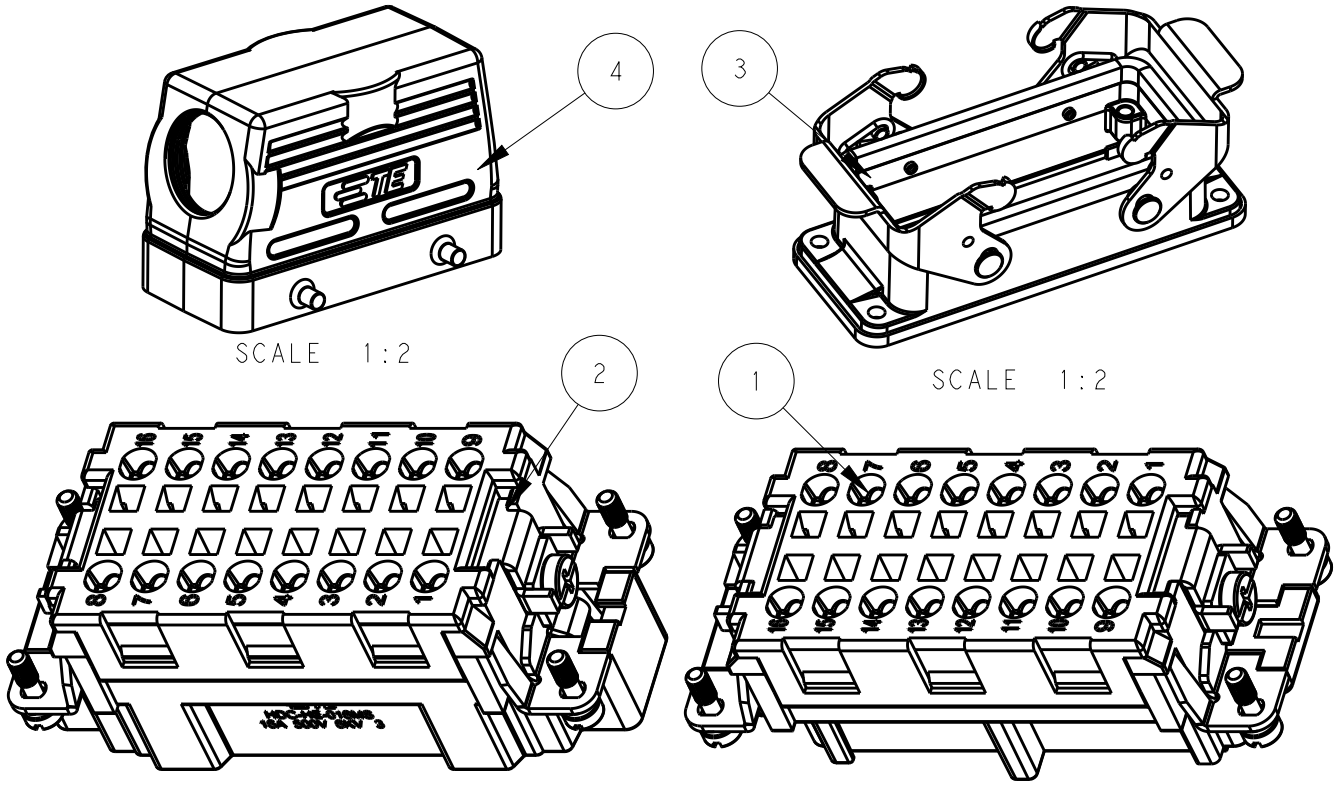


REVISIONS					
P	LTR	DESCRIPTION	DATE	DWN	APVD
	A	INITIAL RELEASE	02SEP2015	DL	CW

NOTES:

- 1 SET OF PRODUCT (K0000000008-000) CONTAIN:
 1 PC ITEM No.1 (T2040163201-000) AND 1PC ITEM No.2
 (T2040163101-000) ARE IN ONE BAG WITH ASSEMBLY STAGE;
 1 PC ITEM No.3 (T1410162000-000) IN ONE BAG;
 1 PC ITEM No.4 (T1210160121-000) IN ONE BAG;
- 1 SET OF PRODUCT (K0000000008-000) IS PUT IN ONE INNER-BOX;
 20 INNER-BOXS IN ONE CARTON.




K0000000008-000				
4	T1210160121-000	HOOD	H16B-TS-PG21	1
3	T1410162000-000	HOUSING	H16B-AG	1
2	T2040163101-000	MALE INSERT	HE-016-MS	1
1	T2040163201-000	FEMALE INSERT	HE-016-FS	1
ITEM No.	PART NUMBER	PART DESCRIPTION	PART TYPE	Q'TY

THIS DRAWING IS UNPUBLISHED. BY -
 ALL RIGHTS RESERVED. COPYRIGHT 20

DIMENSIONS:	
mm	
TOLERANCES UNLESS OTHERWISE SPECIFIED:	
0 PLC	±
1 PLC	±
2 PLC	±
3 PLC	±
4 PLC	±
ANGLES	±

DWN	02SEP2015
DAVID LI	
CHK	02SEP2015
CHRIS WANG	
APVD	02SEP2015
XU XIANG	
PRODUCT SPEC	
APPLICATION SPEC	
WEIGHT	-

MATERIAL	TBD	FINISH	-
 TE Connectivity			
NAME HDC-HE-016-MS KITS			
SIZE	CAGE CODE	DRAWING NO	RESTRICTED TO
A4	-	C-K0000000008000	-
CUSTOMER DRAWING		SCALE	1:1
		SHEET	1 OF 1
		REV	A