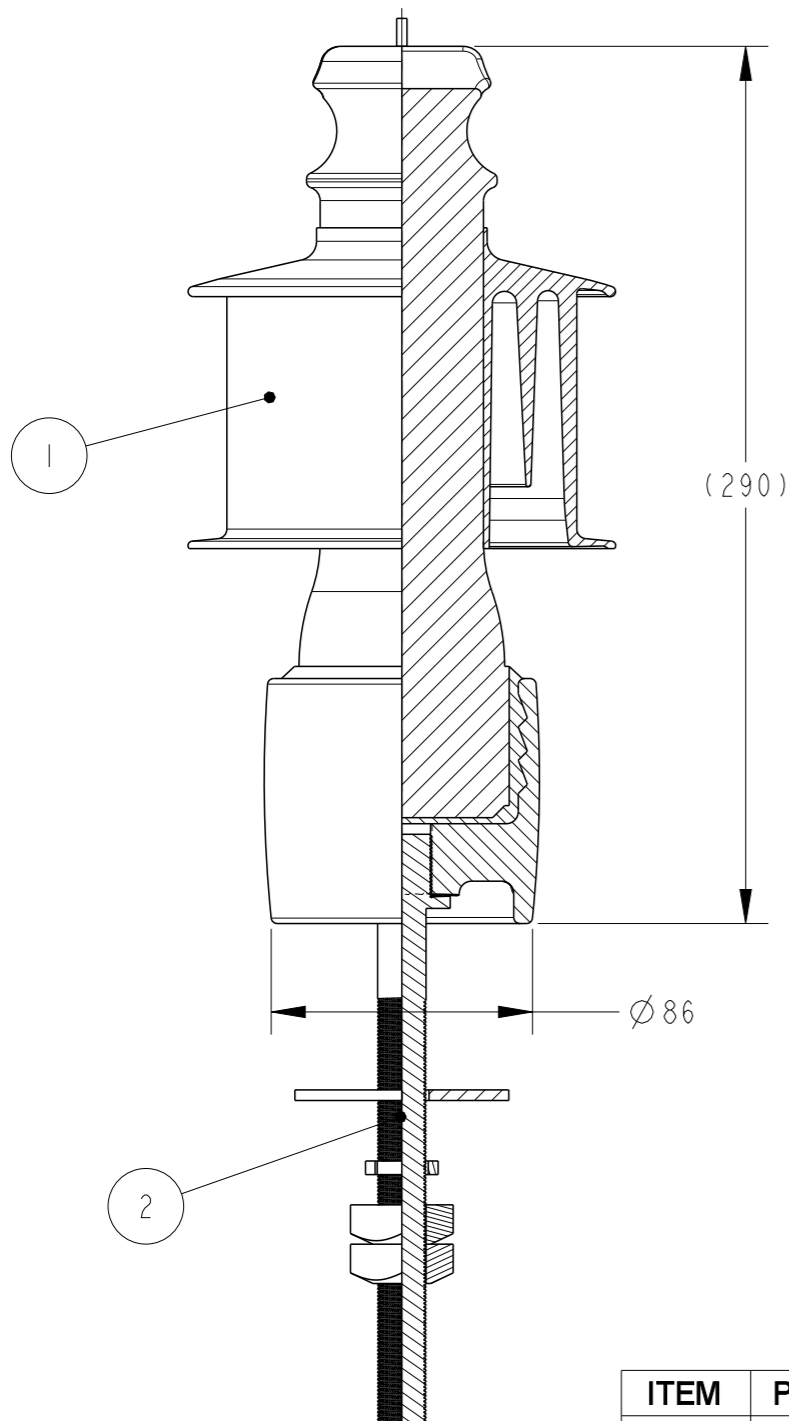


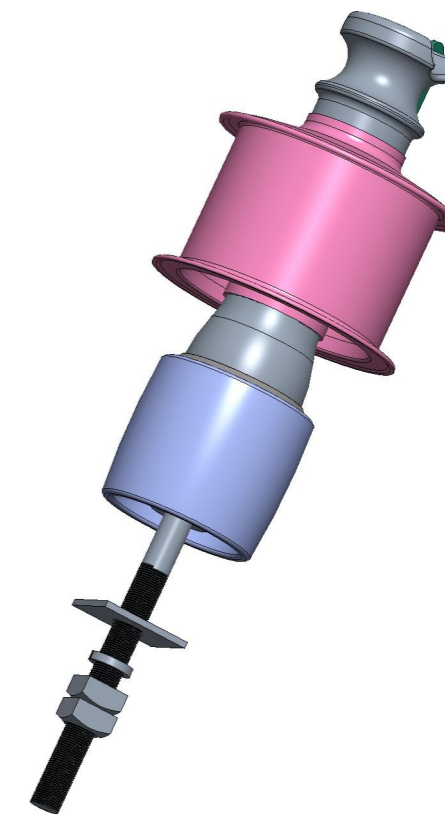
P	LTR	DESCRIPTION	DATE	DWN	APVD
	A	INITIAL RELEASE	08APR2021	MR	KP



NOTES:

ELECTRICAL PROPERTIES	UNITS	ANSI	IEC
Rated Voltage	U	kV	15
Nominal Voltage	Vn	kV	
Impulse Withstand	BIL	kVp	125
Impulse Flashover		kVp	145
P.F. Flashover-Dry		kV	92
P.F. Flashover-Wet		kV	72
P.F. Withstand-Wet		kV	55
Radio Interference at 1000kHz		kV	15
	micro V		10
PHYSICAL PROPERTIES			
Nominal Creepage (A-B)	mm	540	540
Nominal Protected Creepage	mm	305	305
Nominal Dry Arcing Distance	mm	210	
Net Weight	kg	3.5	3.5
MECHANICAL PROPERTIES			
Cantilever Strength	kN	12.5	12.5
MATERIALS			
Core	Porcelain	Gray	
Sheds	Silicone Rubber	Gray	
End Fittings	Galvanized Cast Iron		

Ref. Standards: ANSI C29.7 & IEC 60383



ITEM	PART NUMBER	DESCRIPTION	QTY
1	CA2655-000	DUL-5472AX	1
2	1599946-6	HSHI-M20-M16-ADPT-PN-170-COELCE-200	1

PART NO.
1599906-3

THIS DRAWING IS A CONTROLLED DOCUMENT.		DWN M. RAJ 08APR2021			
DIMENSIONS: mm		CHK K. PUSTHAY 08APR2021			
		APVD K. PUSTHAY 08APR2021			
TOLERANCES UNLESS OTHERWISE SPECIFIED:		PRODUCT SPEC	NAME HSHI-RAYBOWL-DBELL-15KV-COEL		
0 PLC ± 1 PLC ± 2 PLC ± 3 PLC ± 4 PLC ± ANGLES ±		APPLICATION SPEC	SIZE A3	CAGE CODE 00779	DRAWING NO G-INS1896
MATERIAL N/A		FINISH N/A	WEIGHT	RESTRICTED TO	
CUSTOMER DRAWING			SCALE NTS	SHEET 1 OF 1	REV A