

THIS DRAWING IS UNPUBLISHED.

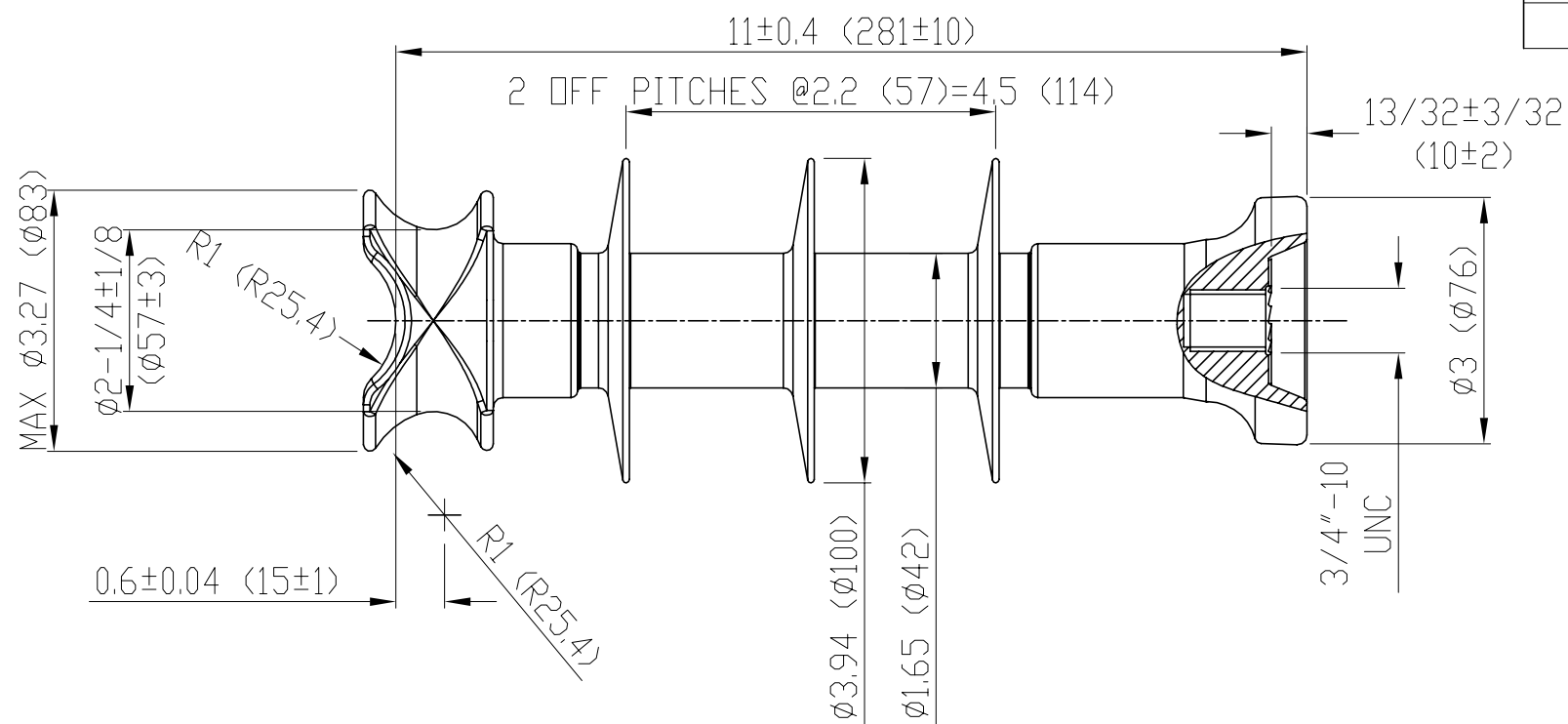
RELEASED FOR PUBLICATION

ALL RIGHTS RESERVED.

© COPYRIGHT - TE Connectivity

REVISIONS

P	LTR	DESCRIPTION	DATE	DWN	APVD
	A	ORIGINAL ISSUE	12MAR2020	RS	KP



PHYSICAL PROPERTIES:

- 1. NOMINAL CREEPAGE DISTANCE : 11.61 (295)
- 2. NOMINAL DRY ARCING DISTANCE : 6.69 (170)

ELECTRICAL PROPERTIES:

- 1. LOW FREQUENCY DRY FLASHOVER VOLTAGE : 80 kV
- 2. LOW FREQUENCY WET FLASHOVER VOLTAGE : 60 kV
- 3. POSITIVE IMPULSE FLASHOVER VOLTAGE : 130 kV
- 4. RIV TEST VOLTAGE : 10 kV
- 5. MAX. RIV @ 1 MHz : 100 µV

MECHANICAL PROPERTIES:

- 1. SPECIFIED CANTILEVER LOAD (SCL) : 2400 lbs
- 2. SPECIFIED TENSILE LOAD (STL) : 2000 lbs

MATERIALS:

- 1. CORE : ECR FIBERGLASS REINFORCED POLYMER
- 2. HOUSING : SILICONE RUBBER
- 3. END FITTINGS : HOT DIP GALVANISED STEEL
- 4. STANDARDS : ANSI C29.1 & ANSI C29.18

PRODUCT MARKINGS:

- 1. TE LOGO
- 2. YEAR & MONTH
- 3. 51-1C
- 4. BATCH NO #

NOTES:

- UNSPECIFIED TOLERANCE
- 1) ±(0.04 x d + 0.06)inches WHEN d < 11.8 inches
- 2) ±(0.025 x d + 0.23)inches WHEN d > 11.8 inches
- WITH MAX. TOLERANCE OF ±2 inches

TCPN

EP4090-000

THIS DRAWING IS A CONTROLLED DOCUMENT.		DWN	12MAR2020		
		RAVI S			
		CHK	12MAR2020		
		K PUSHTAY			
DIMENSIONS:		APVD	12MAR2020	NAME	
Inches[mm]		K PUSHTAY			
TOLERANCES UNLESS OTHERWISE SPECIFIED:		PRODUCT SPEC		TE-LP15-CS1-01	
0 PLC ±		APPLICATION SPEC			
1 PLC ±		-		SIZE	
2 PLC ±		-			
3 PLC ±		-		CAGE CODE	
4 PLC ±		-			
ANGLES ±		-		DRAWING NO	
MATERIAL		-			
FINISH		-		RESTRICTED TO	
		WEIGHT		A3	
		Approx 2.6 Kg		00779	
		CUSTOMER DRAWING		G=INS1682	
		SCALE		1:1	
		SHEET		1 of 1	
		REV		A	