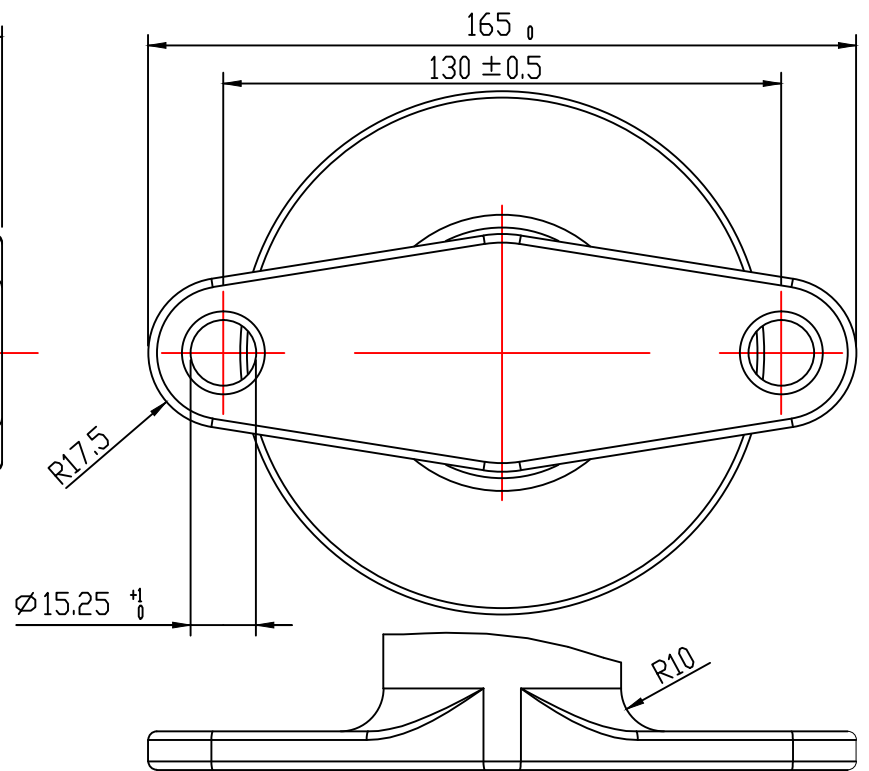


ECHELLE 3:5



PROPRIETES MECANIQUES

CHARGE MECANIQUE  
 DE FLEXION SPECIFIEE: 2.05kNm (11kN)  
 CHARGE MAXI SOUS TENSION: 50kN  
 CHARGE MECANIQUE  
 EN TORSION SPECIFIEE: 0.4kNm

PROPRIETES ELECTRIQUES

CONTOURNEMENT A SEC : 80kV  
 CONTOURNEMENT SOUS PLUIE : 65kV  
 TENUE A FREQUENCE  
 INDUSTRIELLE A SEC : 70kV  
 TENUE A FREQUENCE  
 INDUSTRIELLE SOUS PLUIE : 55kV  
 TENUE AU CHOC DE Foudre : 130kV

PROPRIETES PHYSIQUES

LONGUEUR MINIMALE DE LIGNE  
 DE FUITE : 464MM  
 DISTANCE MINIMALE D'ARC : 180MM  
 FIXATION : DECALAGE ANGULAIRE DES  
 TROUS DE FIXATION DE + OU - 1°  
 MATIERES  
 FERRURES: FONTE 65-45-12 ASTM A536-84  
 GALVANISEE SELON EN-ISO 1461/14713 CLASSE S -ST 137  
 ENVELOPPE ISOLANTE: RAYCHEM HV GRIS (EVA)  
 NOYAU ISOLANT: Ø38 RBGF

MARQUAGE

LOT AA/MM  
 2 DERNIERS CHIFFRES DE L'ANNEE / MOIS  
 IDENTIFICATION: RAYCHEM  
 INS1124  
 SNCV REF : 000401  
 0.880.0607

SHEET 1 OF 1						<p>BAY 105 SHANNON IND. EST. SHANNON CO. CLARE IRELAND</p>	
SCD							
DRN	HMF	11/09		0 PLC	± 1	<p>THIS DRAWING AND THE INFORMATION SET FORTH HEREIN ARE THE PROPERTY OF TE CONNECTIVITY AND ARE TO BE HELD IN TRUST AND CONFIDENCE. PUBLICATION, DUPLICATION, DISCLOSURE OR USE FOR ANY OTHER PURPOSE NOT EXPRESSLY AUTHORIZED IN WRITING BY TE CONNECTIVITY LTD IS PROHIBITED.</p>	
CHECK	PK	11/09		1 PLC	± 0.1		
APP	MB	11/09		2 PLC	± 0.01		
				3 PLC	± 0.001		
SCALE	NTS			4 PLC	± 0.0001		
				ANGLES	± 1°	PCN	CR2695-000
						DRG NO	INS1124
						<p>TITLE</p> <p>RRA-18G-FFG-245 SALES DRAWING</p>	
						REV	4

# DOCUMENT REVISION CONTROL

REVISION	DATE	ECO #	REQUESTED BY	CHANGE DETAILS	SIGN
0	11/09	-	-	ORIGINAL ISSUE	HMF
1	05/11	-	-	TEXT UPDATED	JH
2	09/11	-	-	UPDATED DUE TO DOCUMENT PRINTING ISSUES	JH
3	10/11	-	-	DRAWING NO ADDED TO PRODUCT MARKINGS	JH
4	03/12	ECO-12-00 5700	PJ	DRAWING TEMPLATE UPDATED, SNCF REF ADDED TO MARKING (B2), SNCF SPECIFICATION REMOVED FROM PHYSICAL PROPERTIES (B3), END FITTING MATERIAL UPDATED (B3), NO OF PIECES PER PALLET REMOVED FROM DRG (B2)- TO BE INCLUDED IN PO, SCL (11kN) ADDED TO DRAWING (B4). LOT MARKING DETAILS UPDATED (B1)	JH

D

C

B

A

CR2695-000

RRA-18G-FFG-245

INS1124

SCD



4

3

2

1