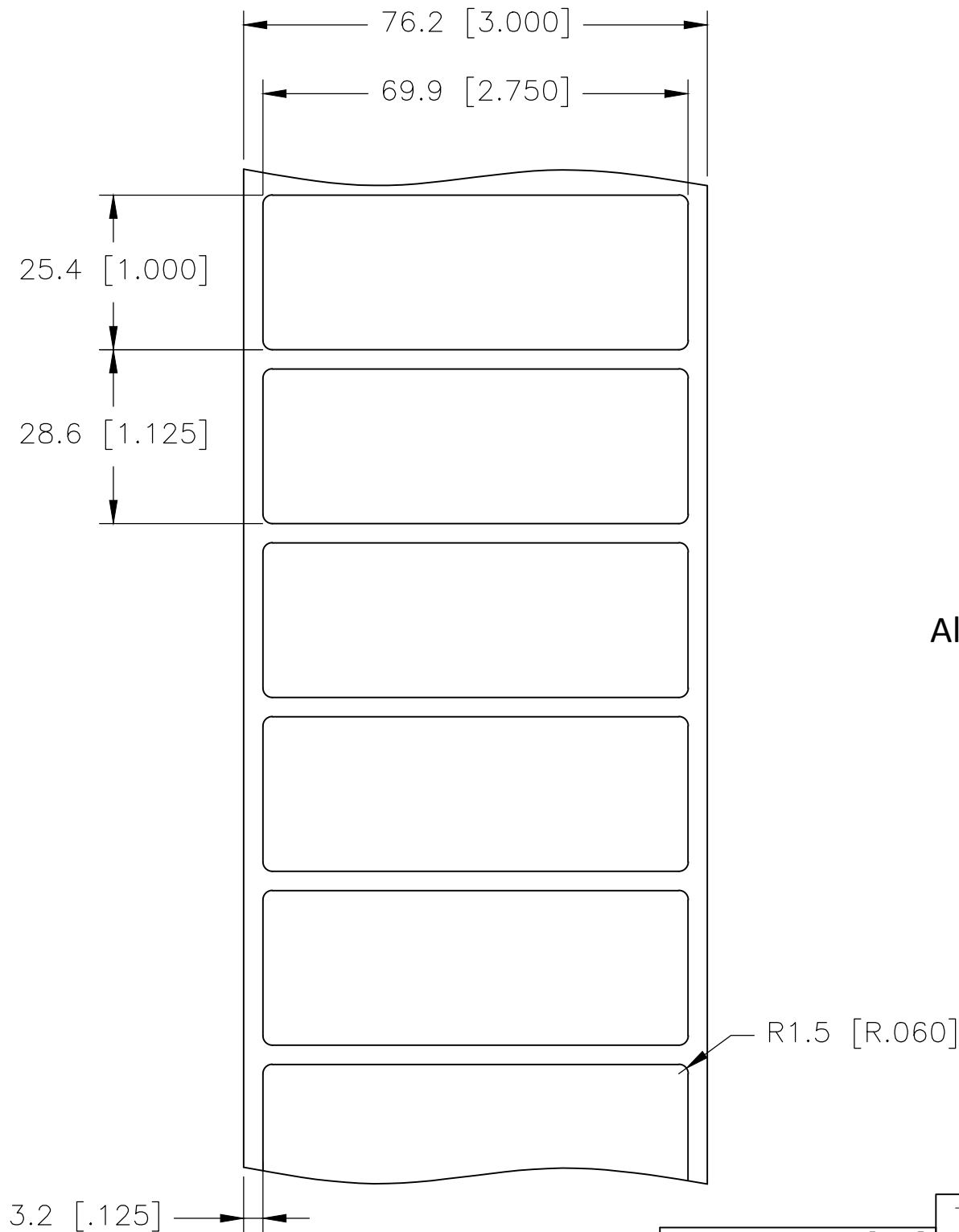
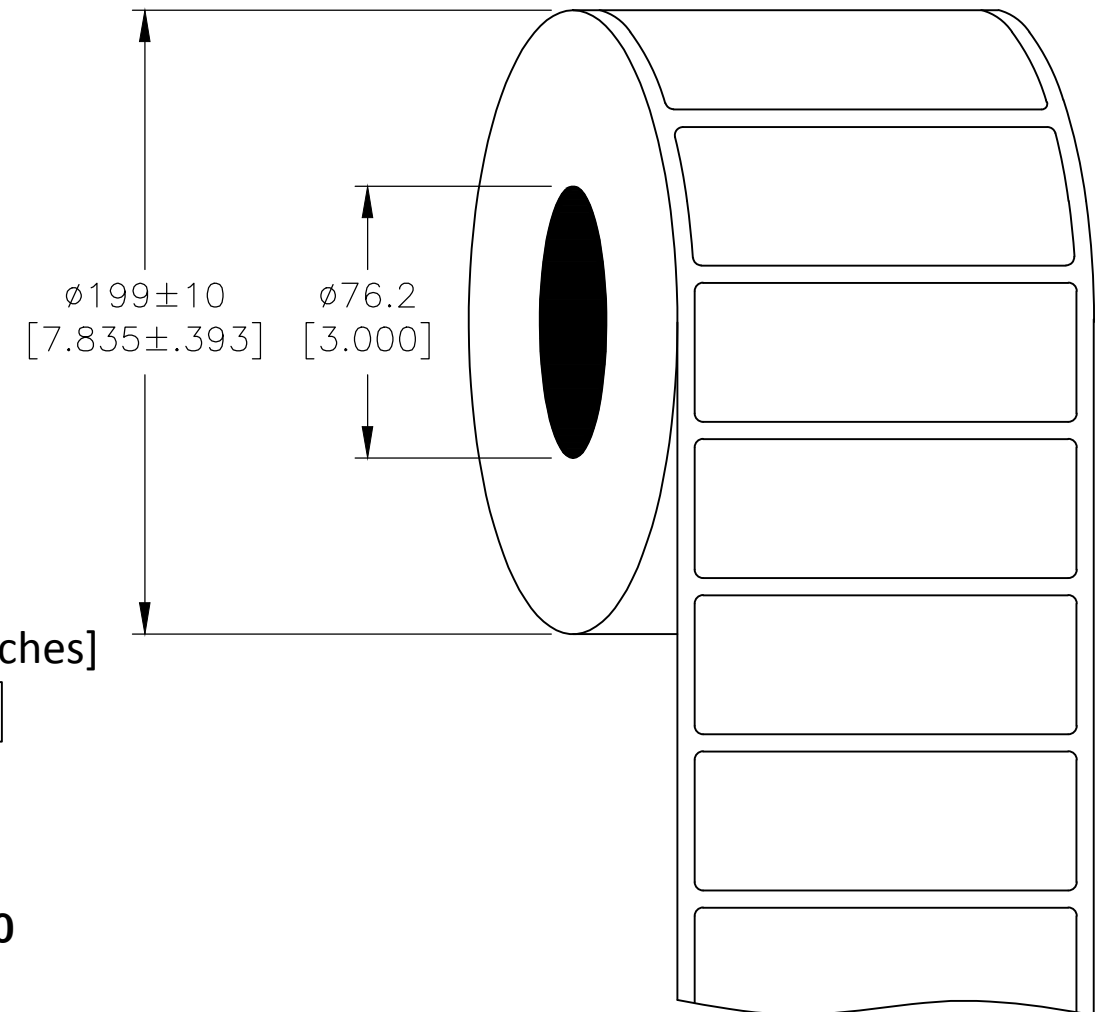


P	LTR	DESCRIPTION	DATE	DWN	APVD
	B	INITIAL RELEASE	20OCT2020	GK	MN

**LABEL AND LINER DESIGN**



**PRESENTATION**



All dimensions in mm [Inches]

**TE PN: E97411-000**

**OUTSIDE WOUND  
LABEL ACROSS: 1  
PER ROLL QTY: 5000**

<b>MATERIAL</b>	<b>HIGH TACK WHITE POLYESTER</b>
<b>ADHESIVE TYPE</b>	<b>PERMANENT ACRYLIC</b>
<b>LINER</b>	<b>GLASSINE PAPER</b>

3.2 [.125]

TOLERANCES mm [INCH]	
LABEL HEIGHT:	$\pm 0.3$ [.012]
LABEL WIDTH:	$\pm 0.3$ [.012]
WEB WIDTH:	$\pm 0.8$ [.031]
VERTICAL REPEAT:	$\pm 0.8$ [.031]*
HORIZONTAL REPEAT:	$\pm 0.8$ [.031]*
PRINT POSITIONING:	$\pm 0.8$ [.031]*
LEFT MARGIN:	$\pm 0.4$ [.016]
QUANTITY:	-0 % +2 %
*NON ACCUMULATING	

THIS DRAWING IS A CONTROLLED DOCUMENT.

DIMENSIONS:	TOLERANCES UNLESS OTHERWISE SPECIFIED:
mm [INCHES]	
	0 PLC $\pm -$
	1 PLC $\pm -$
	2 PLC $\pm -$
	3 PLC $\pm -$
	4 PLC $\pm -$
ANGLES	$\pm -$
MATERIAL	FINISH
SEE TABLE	-

DWN	20OCT2020
GOPALAKRISHNA HV	
CHK	20OCT2020
MIKE NUTTALL	
APVD	20OCT2020
MIKE NUTTALL	
PRODUCT SPEC	
TTDS-076	
APPLICATION SPEC	
WEIGHT	0.208g

		TE Connectivity			
		NAME			
HW - HIGH TACK WHITE POLYESTER LABELS		SIZE	CAGE CODE	DRAWING NO	RESTRICTED TO
		A3	C2290	C-HW-699254-5-9	-
CUSTOMER DRAWING		SCALE	SHEET	REV	
		NTS	1 OF 1	B	