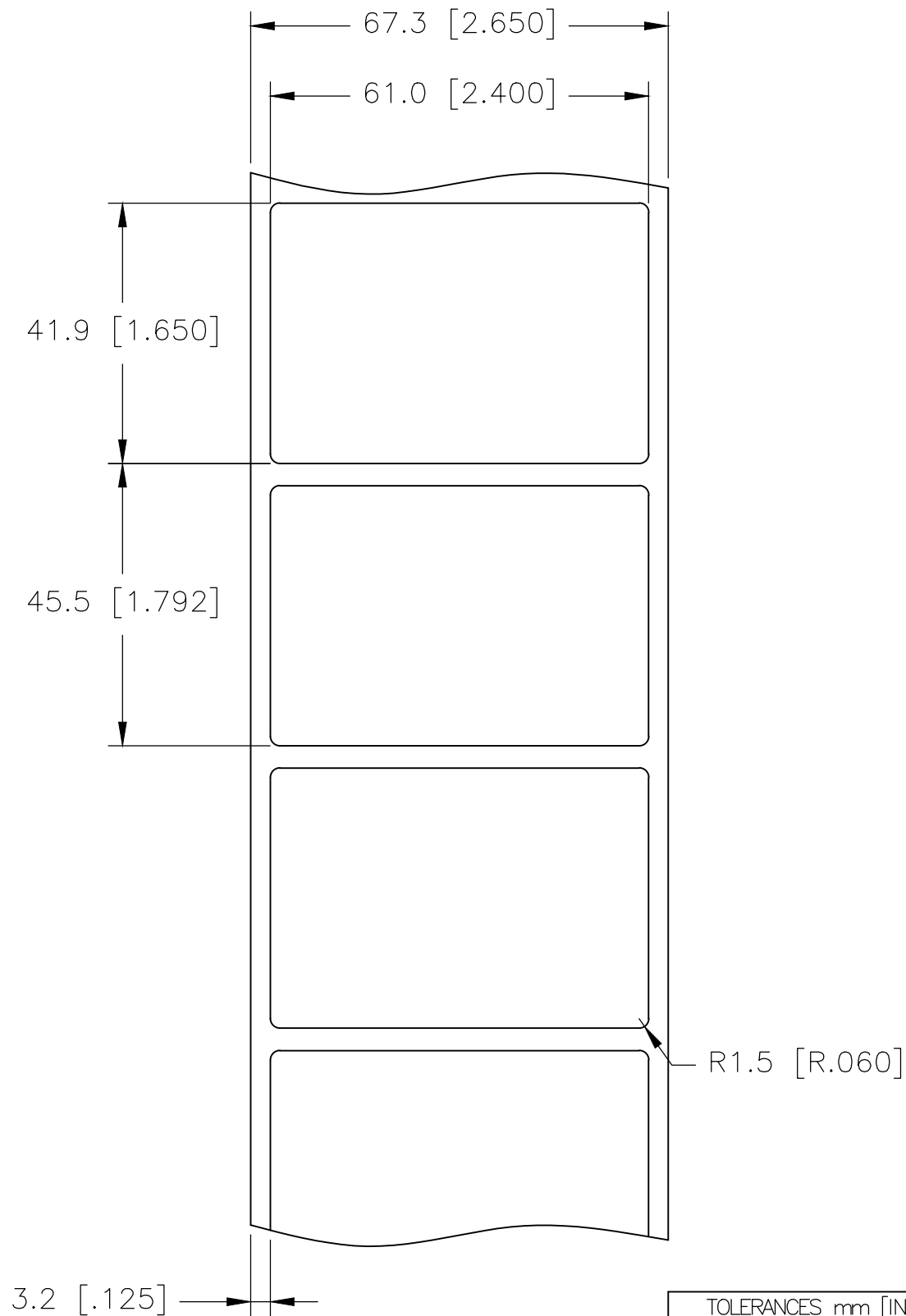
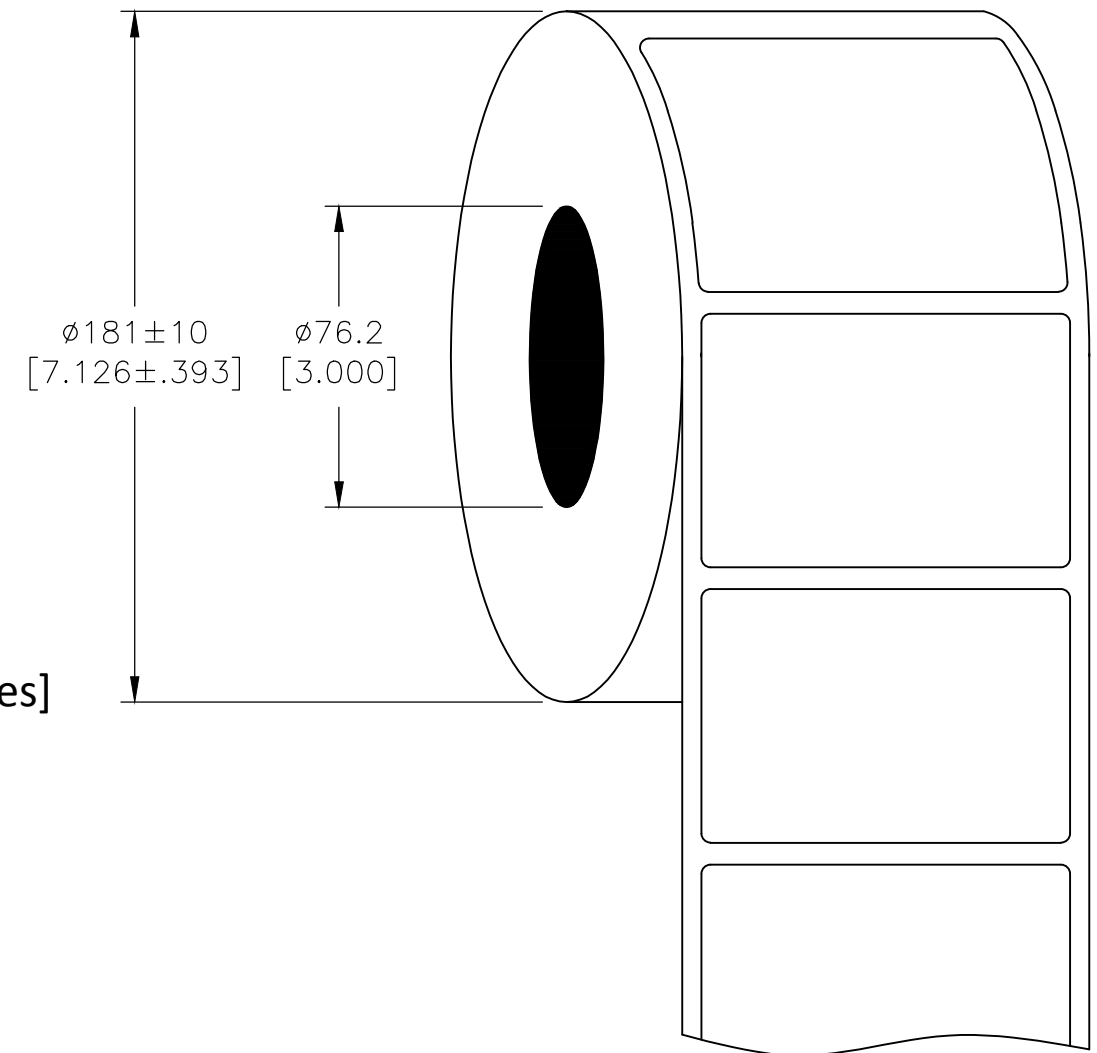


P	LTR	DESCRIPTION	DATE	DWN	APVD
	D	INITIAL RELEASE	20OCT2020	GK	MN

LABEL AND LINER DESIGN



PRESENTATION



All dimensions in mm [Inches]

TE PN: F38411-000

**OUTSIDE WOUND
LABEL ACROSS: 1
PER ROLL QTY: 2500**

MATERIAL	HIGH TACK WHITE POLYESTER
ADHESIVE TYPE	PERMANENT ACRYLIC
LINER	GLASSINE PAPER

DWN 20OCT2020 GOPALAKRISHNA HV		STE TE Connectivity			
CHK 20OCT2020 MIKE NUTTALL	APVD 20OCT2020 MIKE NUTTALL				
PRODUCT SPEC TTDS-076		NAME HW - HIGH TACK WHITE POLYESTER LABELS			
APPLICATION SPEC -		SIZE A3	CAGE CODE C2290	DRAWING NO G-HW-610419-2.5-9	RESTRICTED TO -
WEIGHT 0.300g		SCALE NTS		SHEET 1 OF 1	REV D
CUSTOMER DRAWING					

TOLERANCES mm [INCH]	
LABEL HEIGHT:	±0.3 [.012]
LABEL WIDTH:	±0.3 [.012]
WEB WIDTH:	±0.8 [.031]
VERTICAL REPEAT:	±0.8 [.031]*
HORIZONTAL REPEAT:	±0.8 [.031]*
PRINT POSITIONING:	±0.8 [.031]*
LEFT MARGIN:	±0.4 [.016]
QUANTITY:	-0 % +2 %
*NON ACCUMULATING	

THIS DRAWING IS A CONTROLLED DOCUMENT.	
DIMENSIONS: mm [INCHES]	TOLERANCES UNLESS OTHERWISE SPECIFIED:
	0 PLC ± -
	1 PLC ± -
	2 PLC ± -
	3 PLC ± -
	4 PLC ± -
ANGLES ± ±	FINISH -
MATERIAL SEE TABLE	