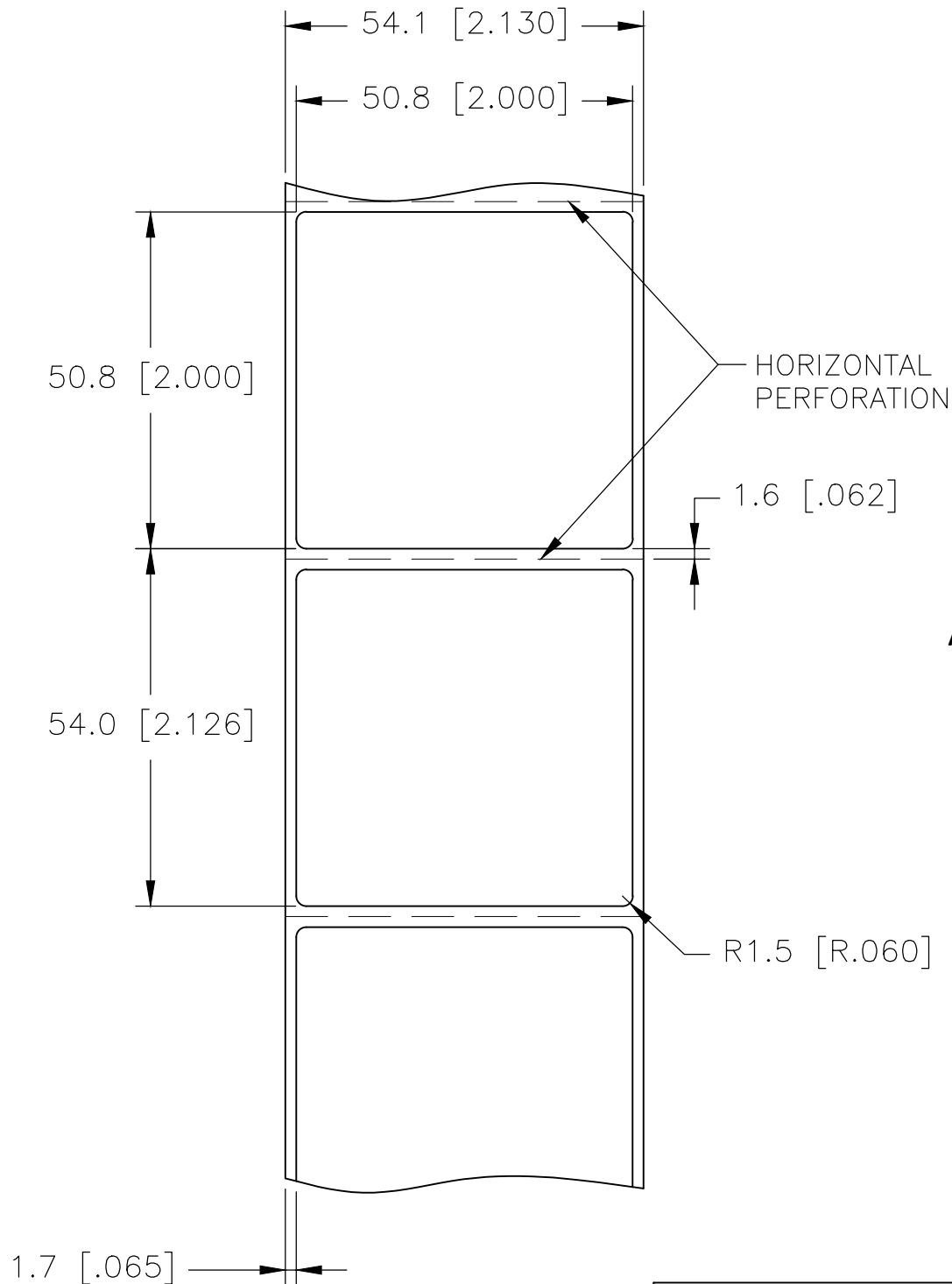
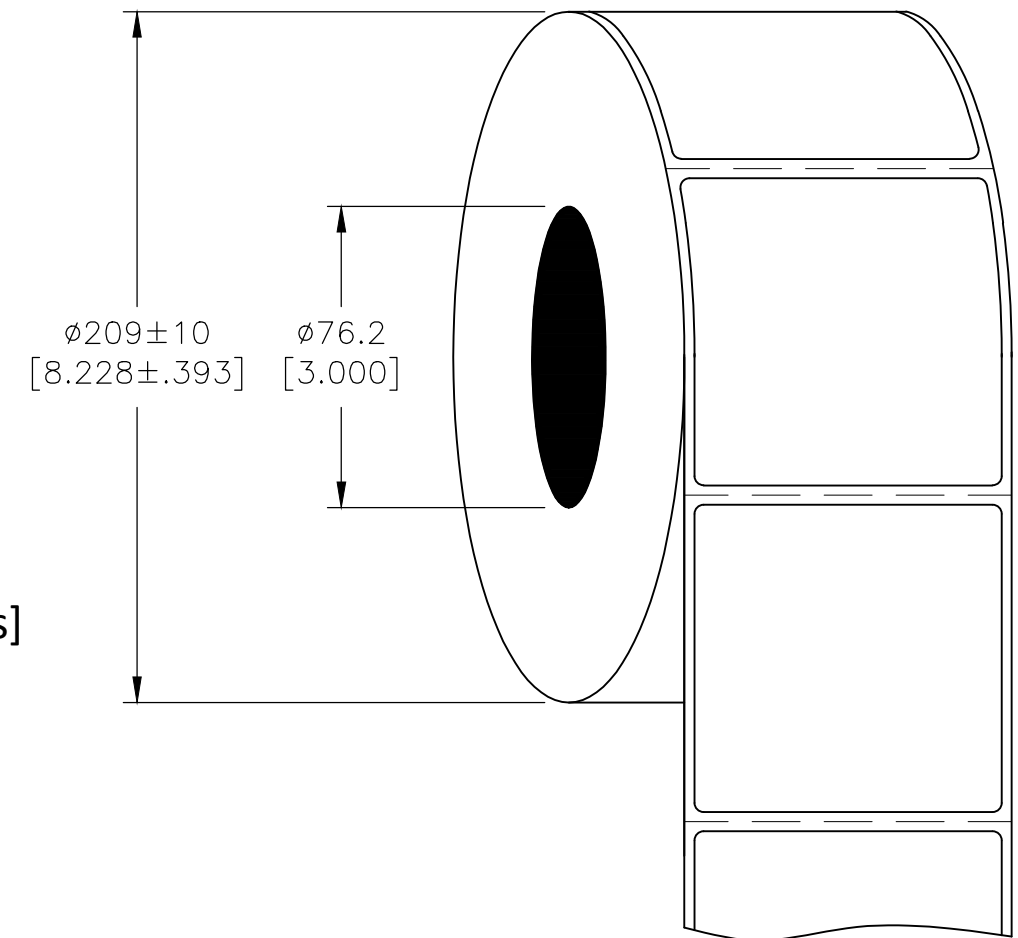


P	LTR	DESCRIPTION	DATE	DWN	APVD
	B	INITIAL RELEASE	20OCT2020	GK	MN

LABEL AND LINER DESIGN



PRESENTATION



All dimensions in mm [Inches]

TE PN: D27322-000

**OUTSIDE WOUND
LABEL ACROSS: 1
PER ROLL QTY: 3000**

MATERIAL	HIGH TACK WHITE POLYESTER
ADHESIVE TYPE	PERMANENT ACRYLIC
LINER	GLASSINE PAPER

TOLERANCES mm [INCH]	
LABEL HEIGHT:	± 0.3 [.012]
LABEL WIDTH:	± 0.3 [.012]
WEB WIDTH:	± 0.8 [.031]
VERTICAL REPEAT:	± 0.8 [.031]*
HORIZONTAL REPEAT:	± 0.8 [.031]*
PRINT POSITIONING:	± 0.8 [.031]*
LEFT MARGIN:	± 0.4 [.016]
QUANTITY:	-0 % +2 %
*NON ACCUMULATING	

THIS DRAWING IS A CONTROLLED DOCUMENT.

DIMENSIONS:	TOLERANCES UNLESS OTHERWISE SPECIFIED:
mm [INCHES]	
	0 PLC $\pm -$
	1 PLC $\pm -$
	2 PLC $\pm -$
	3 PLC $\pm -$
	4 PLC $\pm -$
	ANGLES $\pm -$
MATERIAL	FINISH
SEE TABLE	-

DWN	20OCT2020
CHK	GOPALAKRISHNA HV
APVD	20OCT2020
APVD	MIKE NUTTALL
APVD	MIKE NUTTALL
PRODUCT SPEC	TTDS-076
APPLICATION SPEC	-
WEIGHT	0.303g
CUSTOMER DRAWING	

DWN		20OCT2020		GOPALAKRISHNA HV	
CHK		20OCT2020		MIKE NUTTALL	
APVD		20OCT2020		MIKE NUTTALL	
NAME		HW - HIGH TACK WHITE POLYESTER LABELS			
SIZE	CAGE CODE	DRAWING NO	RESTRICTED TO		
A3	C2290	C-HW-508508-3-9	-		
SCALE		SHEET		REV	
NTS		1 OF 1		B	

