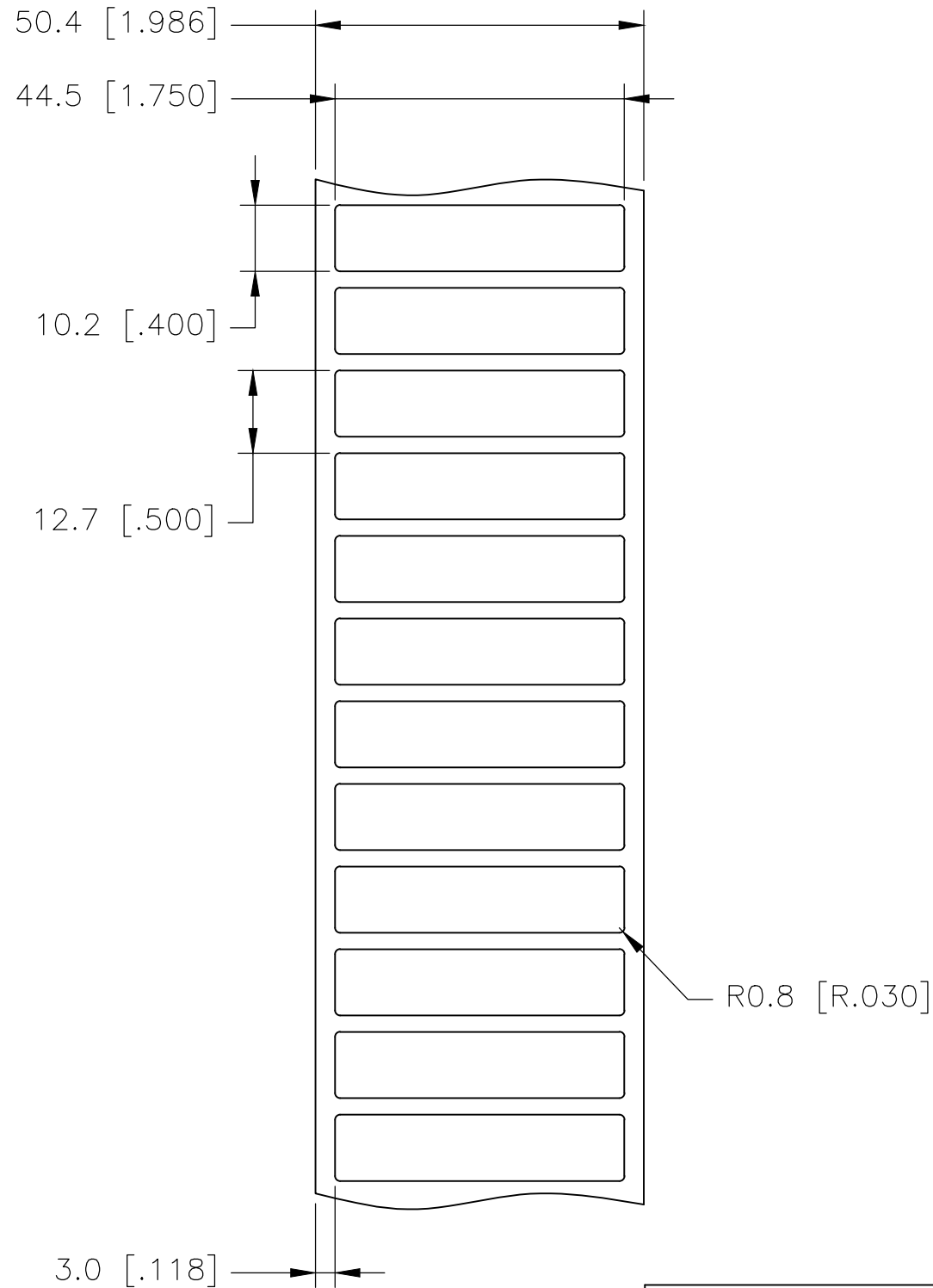
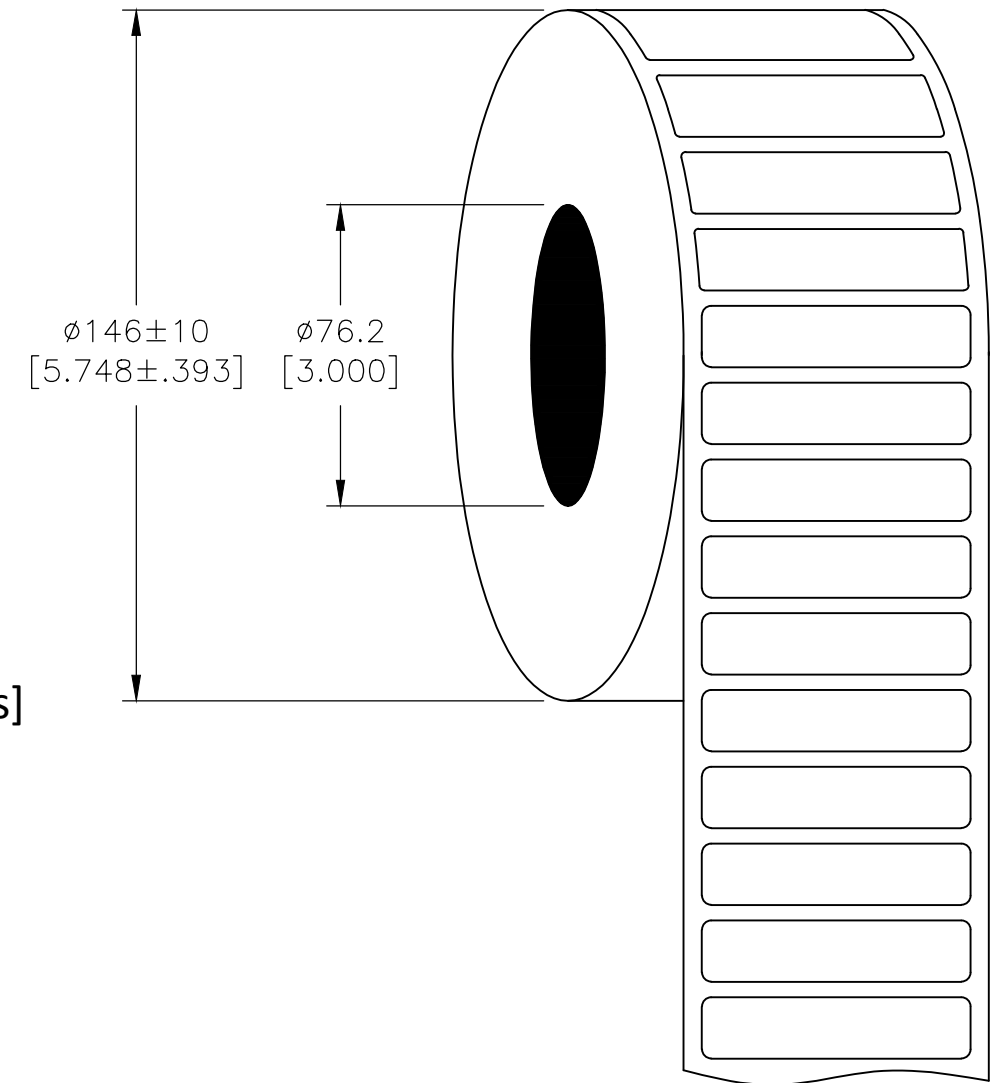


P	LTR	DESCRIPTION	DATE	DWN	APVD
	E	INITIAL RELEASE	20OCT2020	GK	MN

LABEL AND LINER DESIGN



PRESENTATION



All dimensions in mm [Inches]
TE PN: C68151-000

**OUTSIDE WOUND
 LABEL ACROSS: 1
 PER ROLL QTY: 5000**

MATERIAL	HIGH TACK WHITE POLYESTER
ADHESIVE TYPE	PERMANENT ACRYLIC
LINER	GLASSINE PAPER

TOLERANCES mm [INCH]	
LABEL HEIGHT:	±0.3 [.012]
LABEL WIDTH:	±0.3 [.012]
WEB WIDTH:	±0.8 [.031]
VERTICAL REPEAT:	±0.8 [.031]*
HORIZONTAL REPEAT:	±0.8 [.031]*
PRINT POSITIONING:	±0.8 [.031]*
LEFT MARGIN:	±0.4 [.016]
QUANTITY:	-0 % +2 %
*NON ACCUMULATING	

THIS DRAWING IS A CONTROLLED DOCUMENT.	
DIMENSIONS: mm [INCHES]	TOLERANCES UNLESS OTHERWISE SPECIFIED:
	0 PLC ± -
	1 PLC ± -
	2 PLC ± -
	3 PLC ± -
	4 PLC ± -
MATERIAL SEE TABLE	FINISH -

DWN GOPALAKRISHNA HV 20OCT2020	TE Connectivity			
CHK MIKE NUTTALL 20OCT2020				
APVD MIKE NUTTALL 20OCT2020	NAME HW - HIGH TACK WHITE POLYESTER LABELS			
PRODUCT SPEC TTDS-076	SIZE A3	CAGE CODE C2290	DRAWING NO G-HW-445102-5-9	RESTRICTED TO -
APPLICATION SPEC -	WEIGHT 0.053g	SCALE NTS	SHEET 1 OF 1	REV E
CUSTOMER DRAWING				