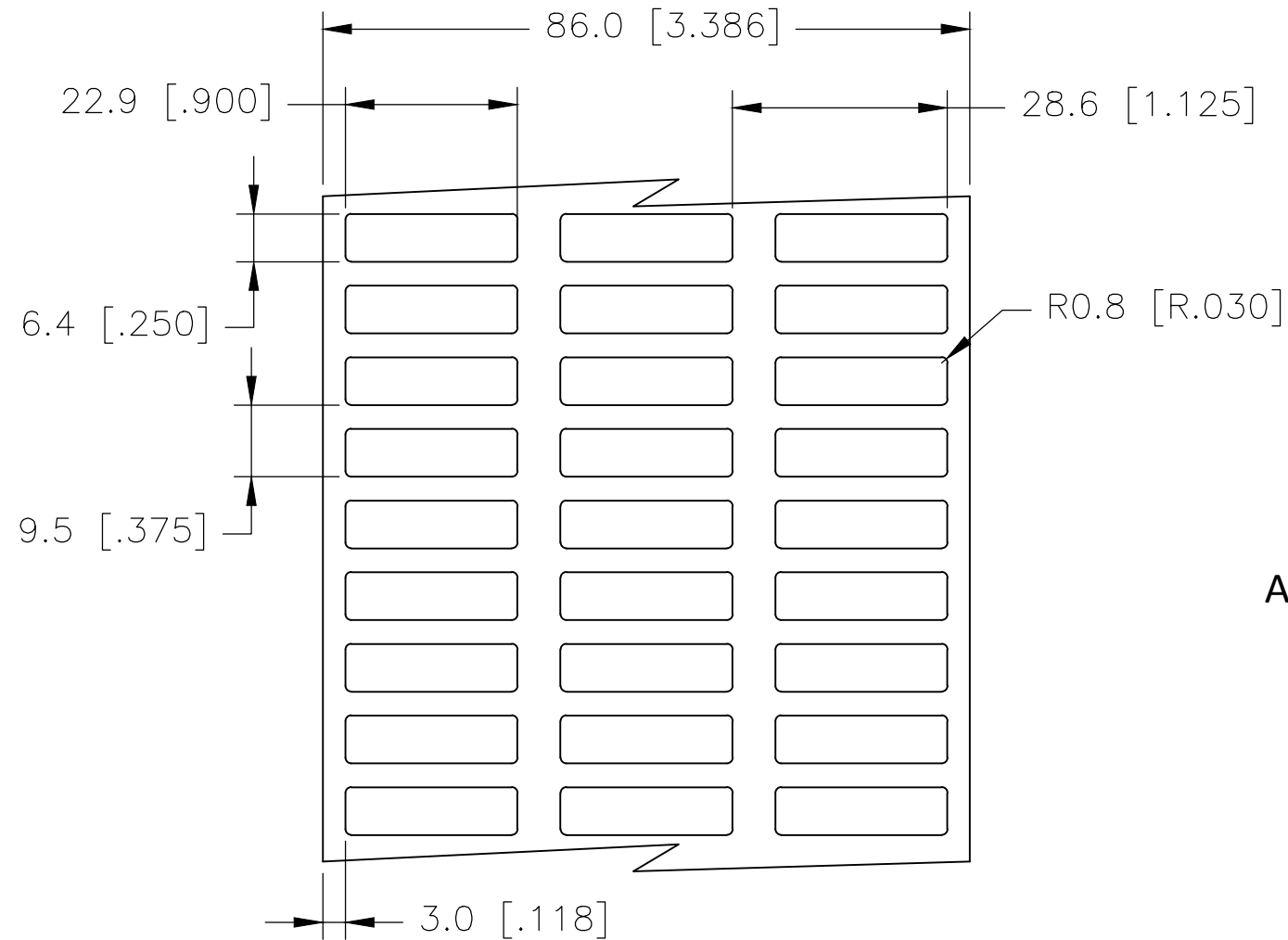
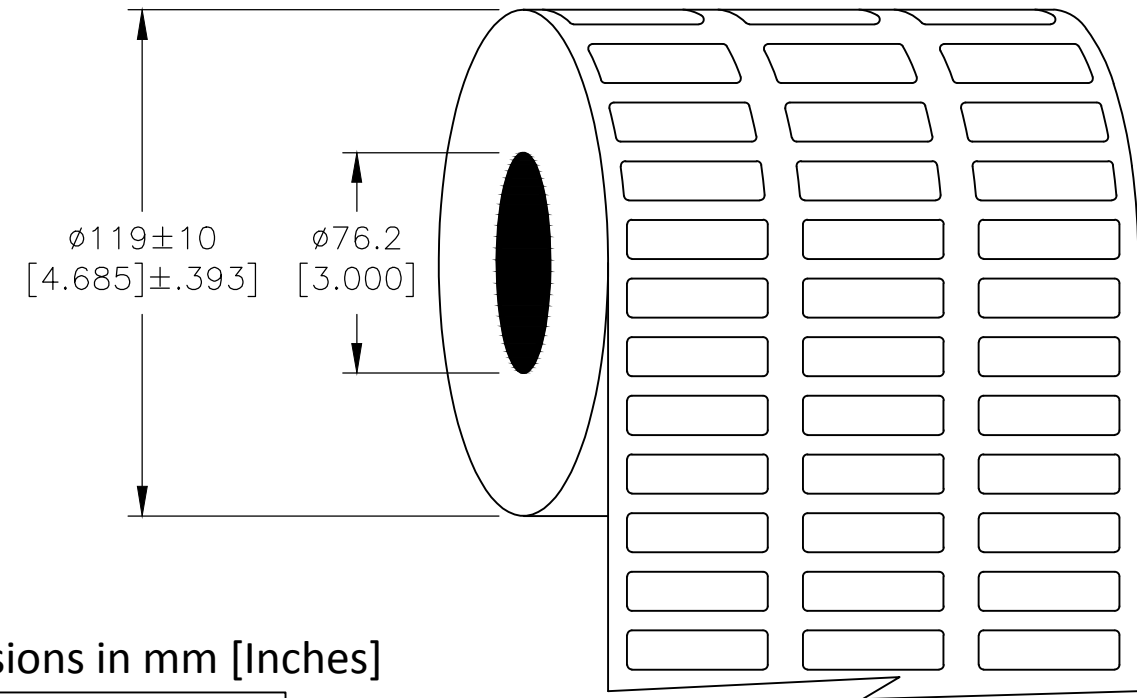


P	LTR	DESCRIPTION	DATE	DWN	APVD
	E	INITIAL RELEASE	20OCT2020	GK	MN

LABEL AND LINER DESIGN



PRESENTATION



All dimensions in mm [Inches]

TE PN: E24145-000

**OUTSIDE WOUND
LABEL ACROSS: 3
PER ROLL QTY: 10000**

MATERIAL	HIGH TACK WHITE POLYESTER
ADHESIVE TYPE	PERMANENT ACRYLIC
LINER	GLASSINE PAPER

TOLERANCES mm [INCH]	
LABEL HEIGHT:	± 0.3 [.012]
LABEL WIDTH:	± 0.3 [.012]
WEB WIDTH:	± 0.8 [.031]
VERTICAL REPEAT:	± 0.8 [.031]*
HORIZONTAL REPEAT:	± 0.8 [.031]*
PRINT POSITIONING:	± 0.8 [.031]*
LEFT MARGIN:	± 0.4 [.016]
QUANTITY:	-0 % +2 %
*NON ACCUMULATING	

THIS DRAWING IS A CONTROLLED DOCUMENT.	
DIMENSIONS: mm [INCHES]	TOLERANCES UNLESS OTHERWISE SPECIFIED:
	0 PLC $\pm -$
	1 PLC $\pm -$
	2 PLC $\pm -$
	3 PLC $\pm -$
	4 PLC $\pm -$
ANGLES $\pm -$	FINISH $\pm -$
MATERIAL SEE TABLE	

DWN	20OCT2020
CHK	GOPALAKRISHNA HV
APVD	20OCT2020
NAME	MIKE NUTTALL
PRODUCT SPEC	MIKE NUTTALL
APPLICATION SPEC	TTDS-076
WEIGHT	0.017g
CUSTOMER DRAWING	

TE Connectivity		NAME		RESTRICTED TO
		HW - HIGH TACK WHITE POLYESTER LABELS		
SIZE	CAGE CODE	DRAWING NO	-	
A3	C2290	C=HW-229064-10-9	-	
SCALE	NTS	SHEET	1 OF 1	REV
				E