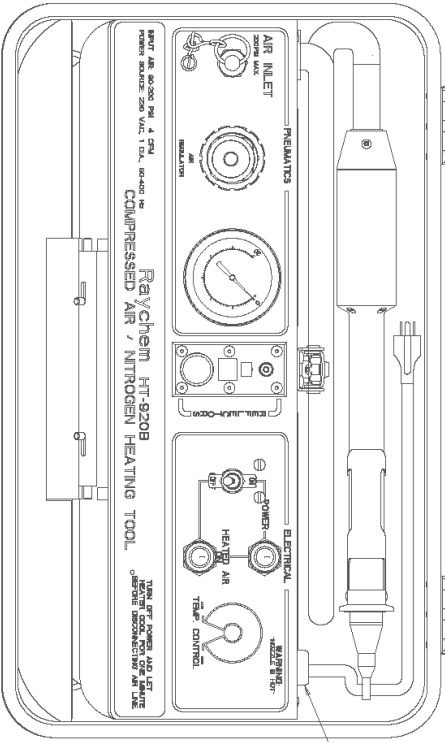
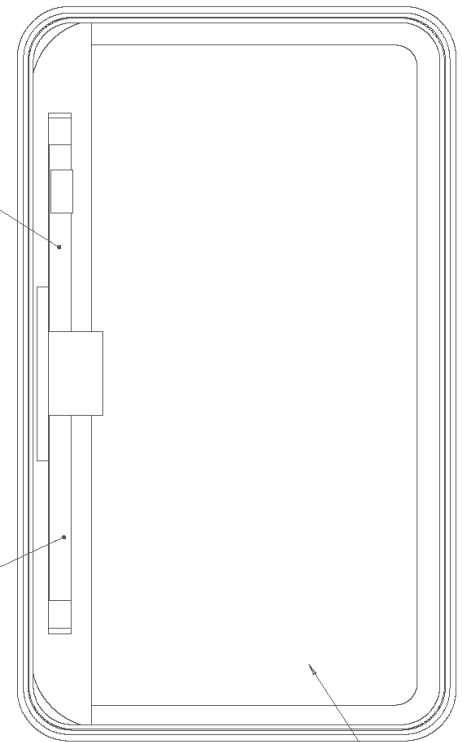


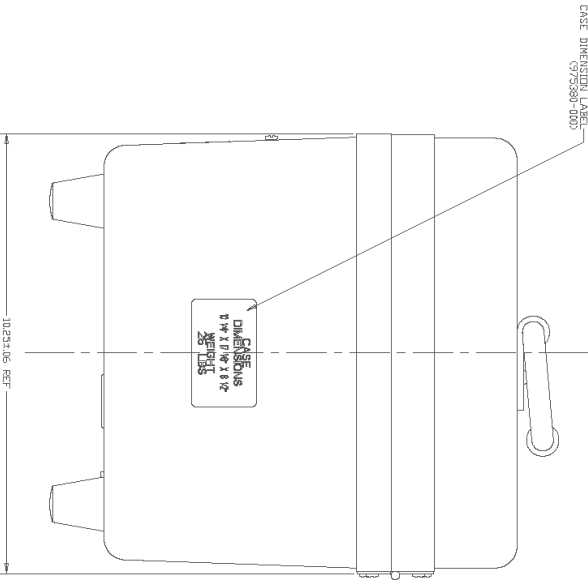
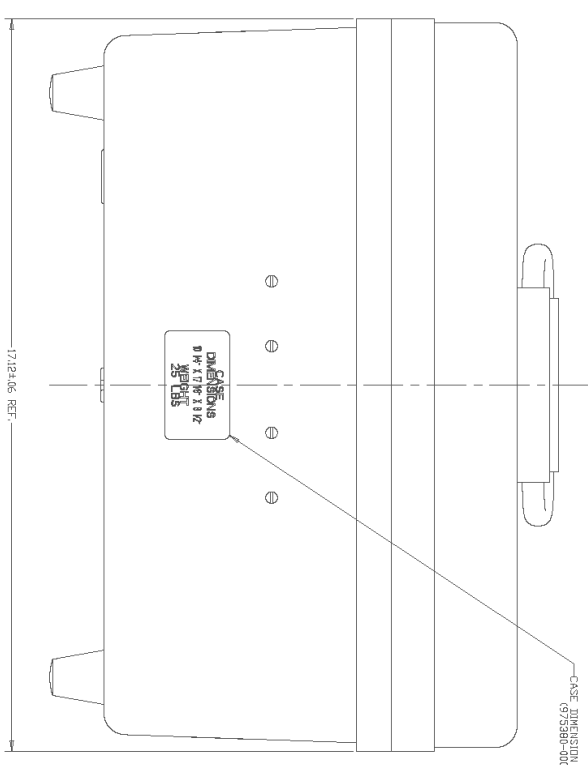
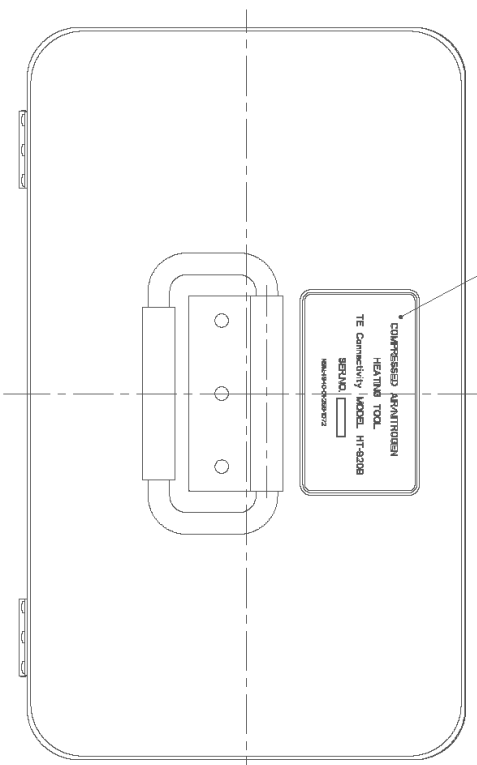
8	7	6	5	4	3	2	1																																																						
REVISED FOR REVISIONS																																																													
ALL DIMENSIONS IN MILLIMETERS																																																													
<table border="1"> <thead> <tr> <th>REV. NO.</th> <th>DATE</th> <th>BY</th> <th>CHKD.</th> <th>APP.</th> <th>DESCRIPTION</th> </tr> </thead> <tbody> <tr> <td>1</td> <td></td> <td></td> <td></td> <td></td> <td>RELEASED AS PER ECH-11-01002</td> </tr> <tr> <td>2</td> <td></td> <td></td> <td></td> <td></td> <td></td> </tr> <tr> <td>3</td> <td></td> <td></td> <td></td> <td></td> <td></td> </tr> <tr> <td>4</td> <td></td> <td></td> <td></td> <td></td> <td></td> </tr> <tr> <td>5</td> <td></td> <td></td> <td></td> <td></td> <td></td> </tr> <tr> <td>6</td> <td></td> <td></td> <td></td> <td></td> <td></td> </tr> <tr> <td>7</td> <td></td> <td></td> <td></td> <td></td> <td></td> </tr> <tr> <td>8</td> <td></td> <td></td> <td></td> <td></td> <td></td> </tr> </tbody> </table>								REV. NO.	DATE	BY	CHKD.	APP.	DESCRIPTION	1					RELEASED AS PER ECH-11-01002	2						3						4						5						6						7						8					
REV. NO.	DATE	BY	CHKD.	APP.	DESCRIPTION																																																								
1					RELEASED AS PER ECH-11-01002																																																								
2																																																													
3																																																													
4																																																													
5																																																													
6																																																													
7																																																													
8																																																													



BOTTOM OF CASE

COMPRESSED AIR/NITROGEN HEATING TOOL ASSEMBLY 230 VAC (LIGHTLINE YELLOW)		362324-000 PART NO.
THIS DRAWING IS A COMPLETE ASSEMBLY		1 PART NO.
THE DRAWING IS A COMPLETE ASSEMBLY		1 PART NO.
DRAWN BY: J. J. JONES	CHECKED BY: J. J. JONES	DATE: 11-15-00
DESIGNED BY: J. J. JONES	APPROVED BY: J. J. JONES	DATE: 11-15-00
TITLE: COMPRESSED AIR/NITROGEN HEATING TOOL ASSEMBLY 230 VAC (LIGHTLINE YELLOW)	PART NO.: 362324-000	REV. NO.: 1
SIZE: 1/2" (SEE DIM. SHEET)	MATERIAL: ALUMINUM	FINISH: ANODIZED
QUANTITY: 1	WEIGHT: 1.5 LBS	VOLUME: 0.1 CU. FT.
CUSTOMER DRAWING:	DATE: 11-15-00	SHEET NO.: 1 OF 2

403 010



1029106 REF

REV	DATE	BY	APP	DESCRIPTION
1				COMPRESSED AIR/ANTIGEN HEATING TOOL ASSEMBLY 230VAC (FLIGHTLINE YELLOW)

TE Connectivity

COMPRESSED AIR/ANTIGEN HEATING TOOL ASSEMBLY 230VAC (FLIGHTLINE YELLOW)

1029106 REF

1029106 REF

4482 0110