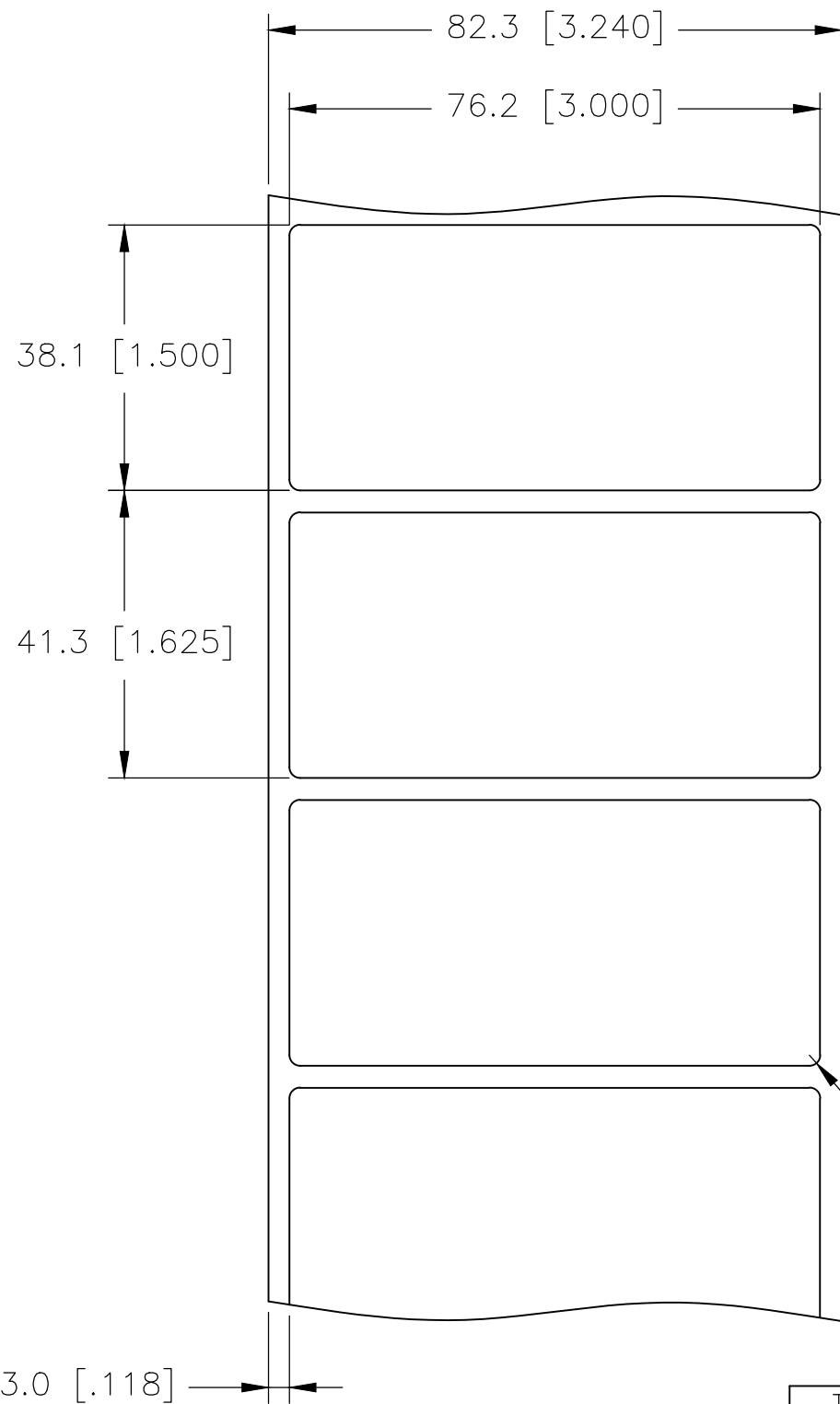
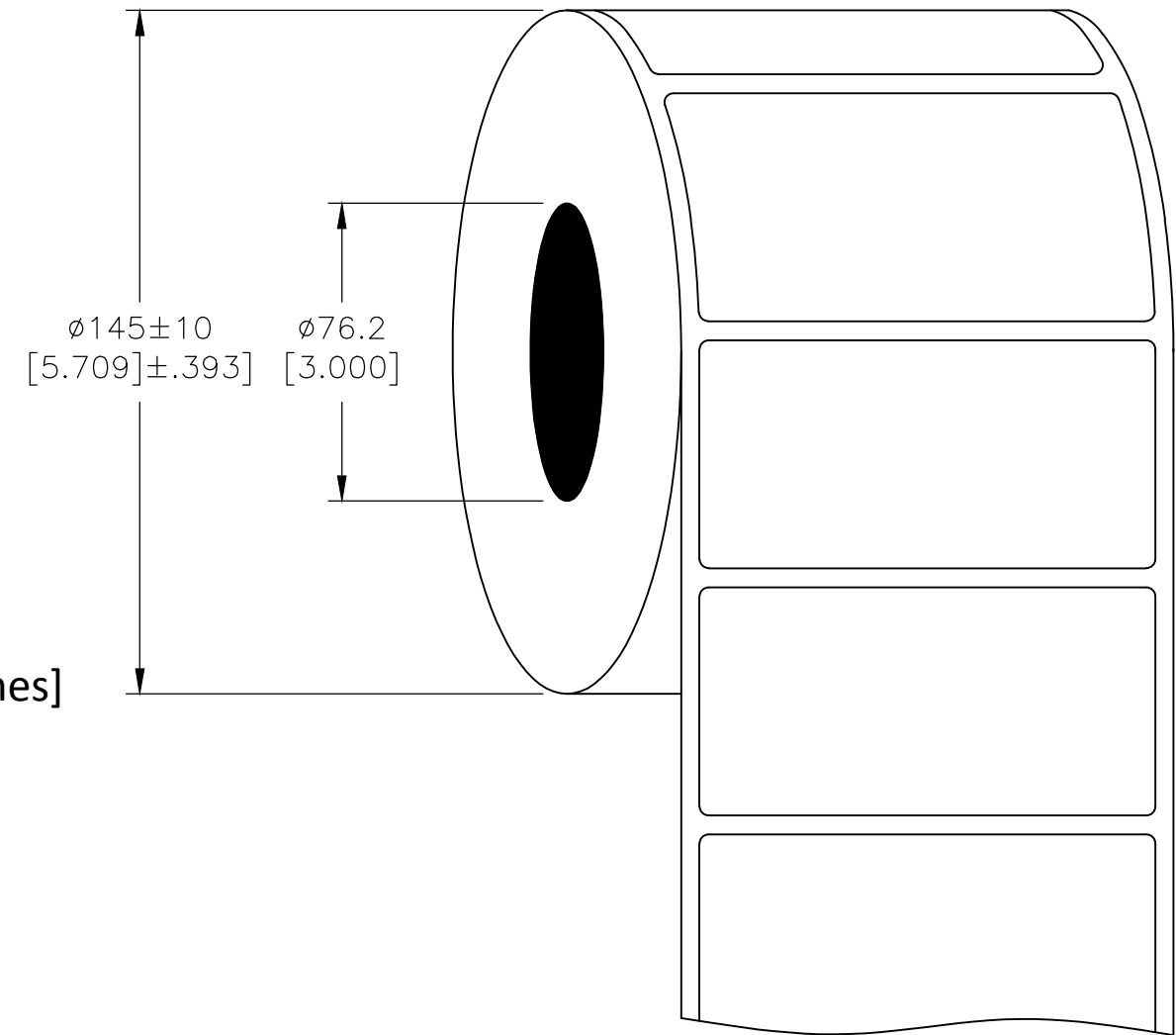


P	LTR	DESCRIPTION	DATE	DWN	APVD
	B	INITIAL RELEASE	21SEP2020	GK	MN

LABEL AND LINER DESIGN



PRESENTATION



All dimensions in mm [Inches]

TE PN: A46153-000

**OUTSIDE WOUND
LABEL ACROSS: 1
PER ROLL QTY: 2500**

R1.5 [R.060]

MATERIAL	HIGH TACK MATTE METALIZED POLYESTER
ADHESIVE TYPE	PERMANENT ACRYLIC
LINER	GLASSINE PAPER

THIS DRAWING IS A CONTROLLED DOCUMENT.

TOLERANCES mm [INCH]	
LABEL HEIGHT:	± 0.3 [.012]
LABEL WIDTH:	± 0.3 [.012]
WEB WIDTH:	± 0.8 [.031]
VERTICAL REPEAT:	± 0.8 [.031]*
HORIZONTAL REPEAT:	± 0.8 [.031]*
PRINT POSITIONING:	± 0.8 [.031]*
LEFT MARGIN:	± 0.4 [.016]
QUANTITY:	-0 % +2 %
*NON ACCUMULATING	

DIMENSIONS:	TOLERANCES UNLESS OTHERWISE SPECIFIED:
mm [INCHES]	
	0 PLC $\pm -$
	1 PLC $\pm -$
	2 PLC $\pm -$
	3 PLC $\pm -$
	4 PLC $\pm -$
ANGLES	$\pm -$
FINISH	$\pm -$

DWN	15OCT2020	TE Connectivity	
CHK	15OCT2020		
APVD	15OCT2020		
NAME	MIKE NUTTALL		
PRODUCT SPEC	TTDS-118	NAME	HMM - HIGH TACK MATTE METALIZED POLYESTER LABELS
APPLICATION SPEC	-	SIZE	A3
WEIGHT	0.378g	CAGE CODE	C2290
CUSTOMER DRAWING		DRAWING NO	C-HMM-762381-2.5-8A
		RESTRICTED TO	-
		SCALE	NTS
		SHEET	1 OF 1
		REV	B