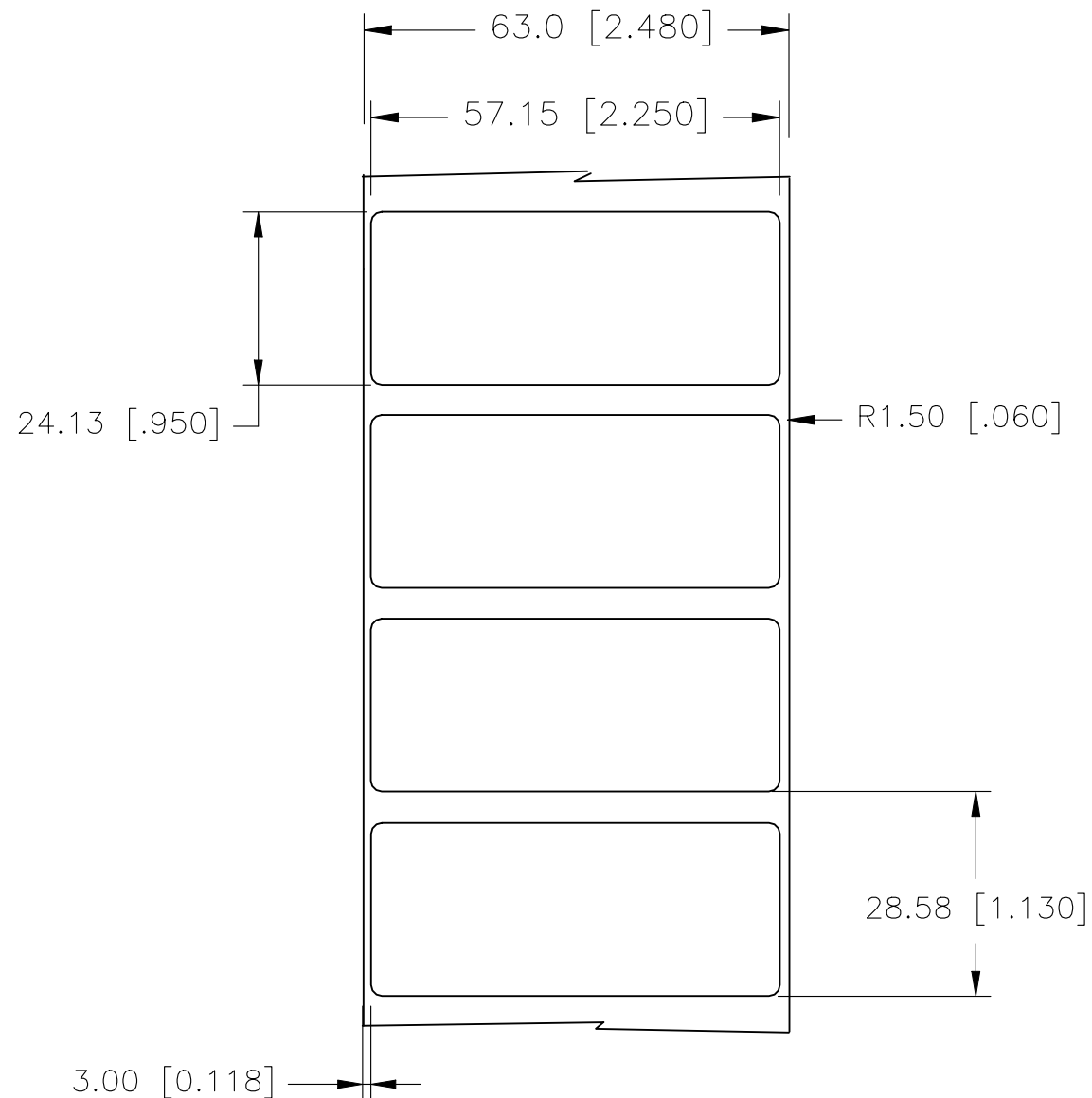


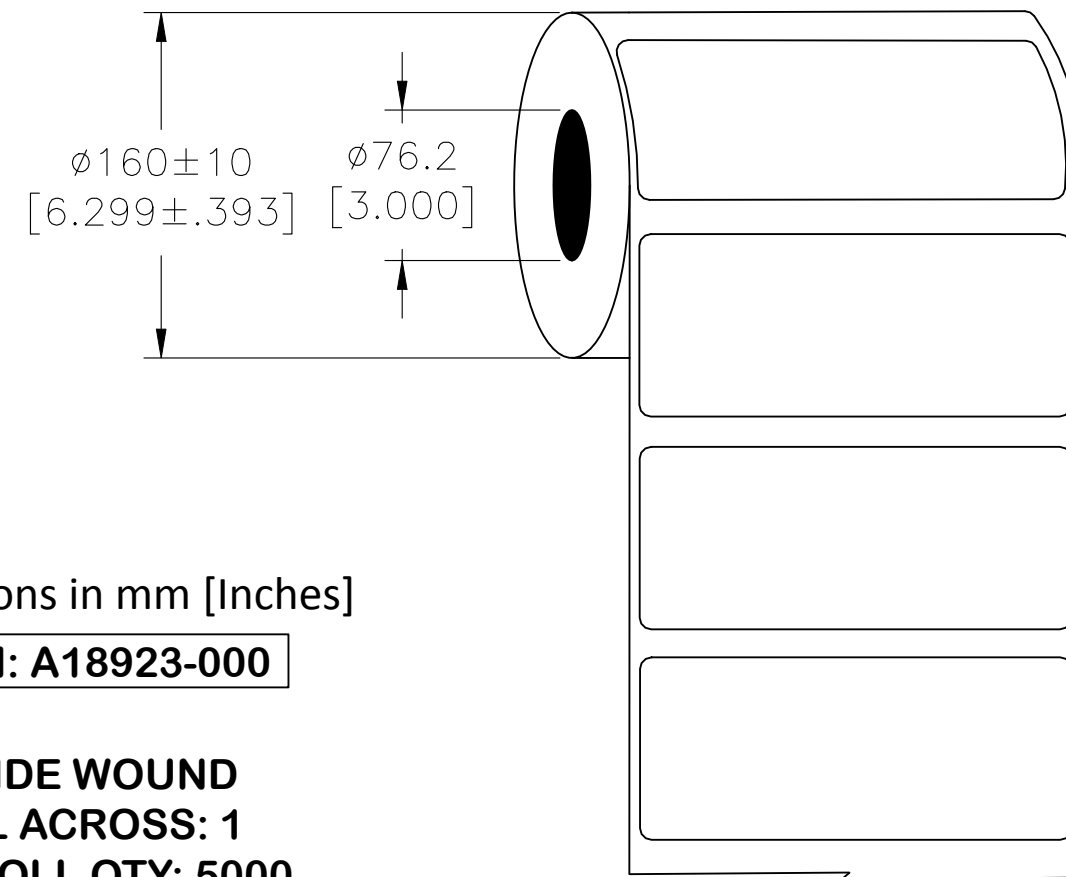
REVISIONS

P	LTR	DESCRIPTION	DATE	DWN	APVD
	B	INITIAL RELEASE	26FEB2020	MN	AK

**LABEL AND LINER DESIGN**



**PRESENTATION**



All dimensions in mm [Inches]

**TE PN: A18923-000**

**OUTSIDE WOUND  
LABEL ACROSS: 1  
PER ROLL QTY: 5000**

<b>MATERIAL</b>	HIGH TACK MATTE METALIZED POLYESTER
<b>ADHESIVE TYPE</b>	PERMANENT ACRYLIC
<b>LINER</b>	GLASSINE PAPER

TOLERANCES mm [INCH]	
LABEL HEIGHT:	±0.3 [.012]
LABEL WIDTH:	±0.3 [.012]
WEB WIDTH:	±0.8 [.031]
VERTICAL REPEAT:	±0.8 [.031]*
HORIZONTAL REPEAT:	±0.8 [.031]*
PRINT POSITIONING:	±0.8 [.031]*
LEFT MARGIN:	±0.4 [.016]
QUANTITY:	-0 % +2 %
*NON ACCUMULATING	

THIS DRAWING IS A CONTROLLED DOCUMENT.	
DIMENSIONS: mm [INCHES]	TOLERANCES UNLESS OTHERWISE SPECIFIED:
	0 PLC ± -
	1 PLC ± -
	2 PLC ± -
	3 PLC ± -
	4 PLC ± -
ANGLES ± -	FINISH -
MATERIAL SEE TABLE	

DWN M. NUTTALL 30JUN2021				
CHK M. NUTTALL 30JUN2021				
APVD A. KEAN 30JUN2021				
PRODUCT SPEC TTDS-118	NAME HMM - HIGH TACK MATTE METALIZED POLYESTER			
APPLICATION SPEC	SIZE A3	CAGE CODE C2290	DRAWING NO G-HMM-572241-5-8A	RESTRICTED TO -
WEIGHT 0.180g	SCALE NTS			SHEET 1 OF 1
CUSTOMER DRAWING		REV B		