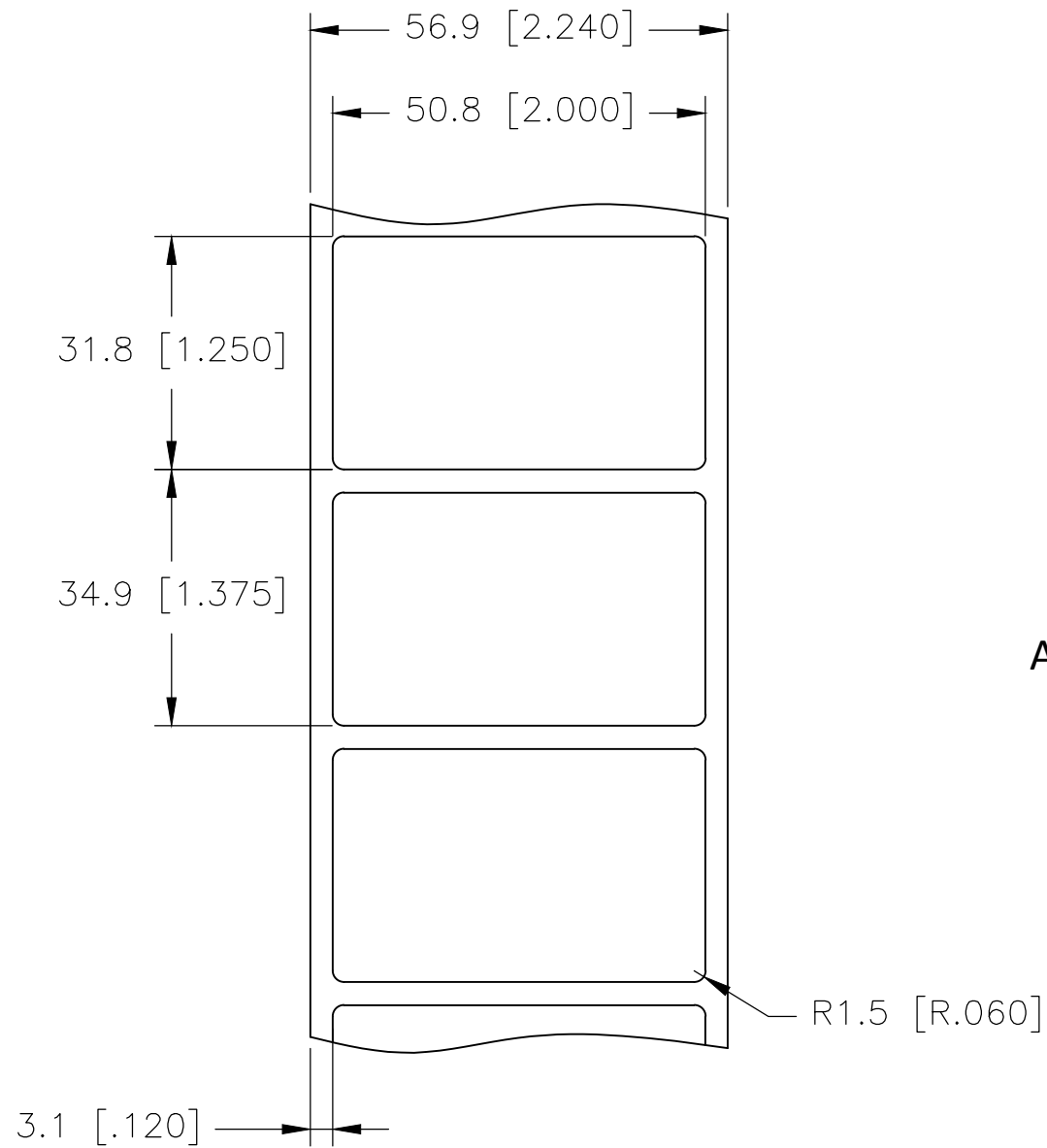
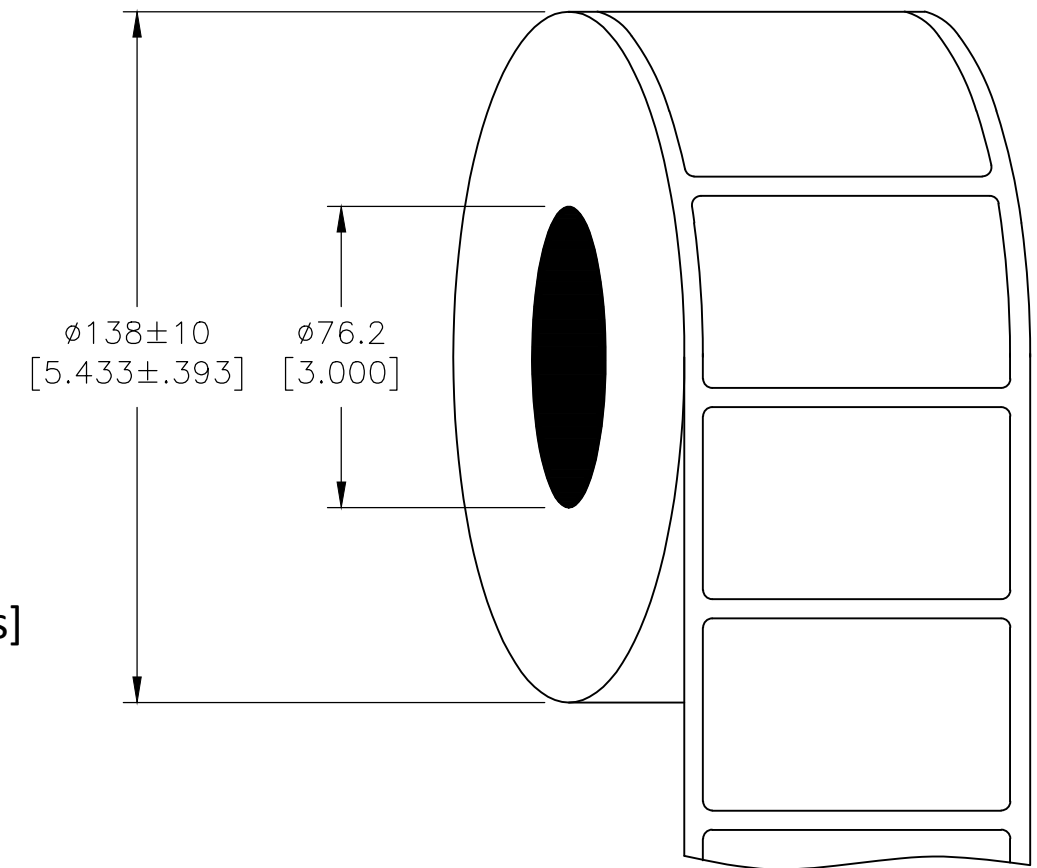


P	LTR	DESCRIPTION	DATE	DWN	APVD
	B	REVISED PER ECR-20-013258	12OCT2020	GK	MN

LABEL AND LINER DESIGN



PRESENTATION



All dimensions in mm [Inches]

TE PN: F77600-000

**OUTSIDE WOUND
LABEL ACROSS: 1
PER ROLL QTY: 2500**

MATERIAL	HIGH TACK MATTE METALIZED POLYESTER
ADHESIVE TYPE	PERMANENT ACRYLIC
LINER	GLASSINE PAPER

TOLERANCES mm [INCH]	
LABEL HEIGHT:	±0.3 [.012]
LABEL WIDTH:	±0.3 [.012]
WEB WIDTH:	±0.8 [.031]
VERTICAL REPEAT:	±0.8 [.031]*
HORIZONTAL REPEAT:	±0.8 [.031]*
PRINT POSITIONING:	±0.8 [.031]*
LEFT MARGIN:	±0.4 [.016]
QUANTITY:	-0 % +2 %
*NON ACCUMULATING	

THIS DRAWING IS A CONTROLLED DOCUMENT.	
DIMENSIONS: mm [INCHES]	TOLERANCES UNLESS OTHERWISE SPECIFIED:
	0 PLC ± -
	1 PLC ± -
	2 PLC ± -
	3 PLC ± -
	4 PLC ± -
ANGLES ± -	FINISH -
MATERIAL SEE TABLE	

DWN GOPALAKRISHNA HV 12OCT2020	TE Connectivity			
CHK MIKE NUTTALL 12OCT2020				
APVD MIKE NUTTALL 12OCT2020	NAME HMM - HIGH TACK MATTE METALIZED POLYESTER LABELS			
PRODUCT SPEC TTDS-118	-			
APPLICATION SPEC -	-			
WEIGHT 0.210g	SIZE A3	CAGE CODE C2290	DRAWING NO G-HMM-508318-2.5-8A	RESTRICTED TO -
CUSTOMER DRAWING		SCALE NTS	SHEET 1 OF 1	REV B