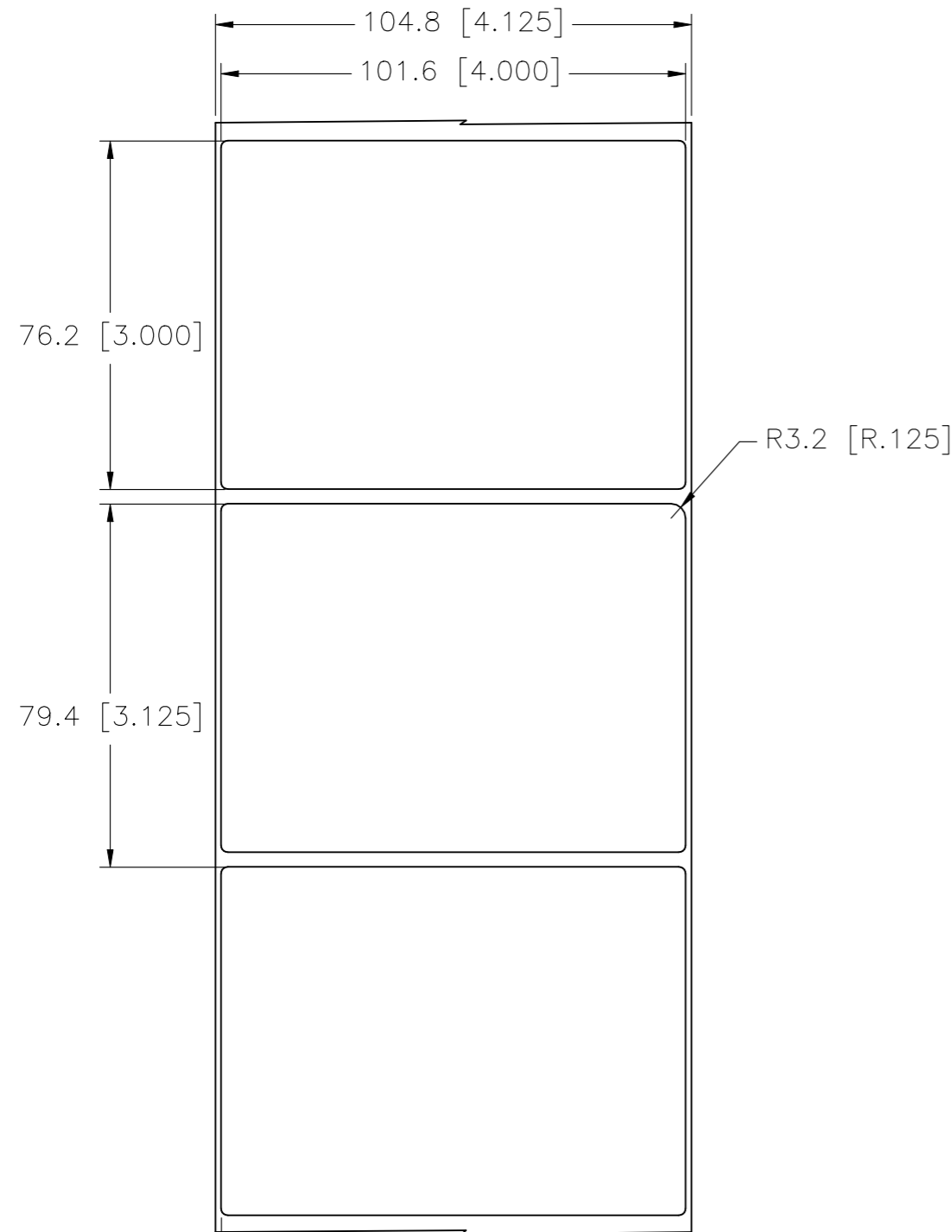
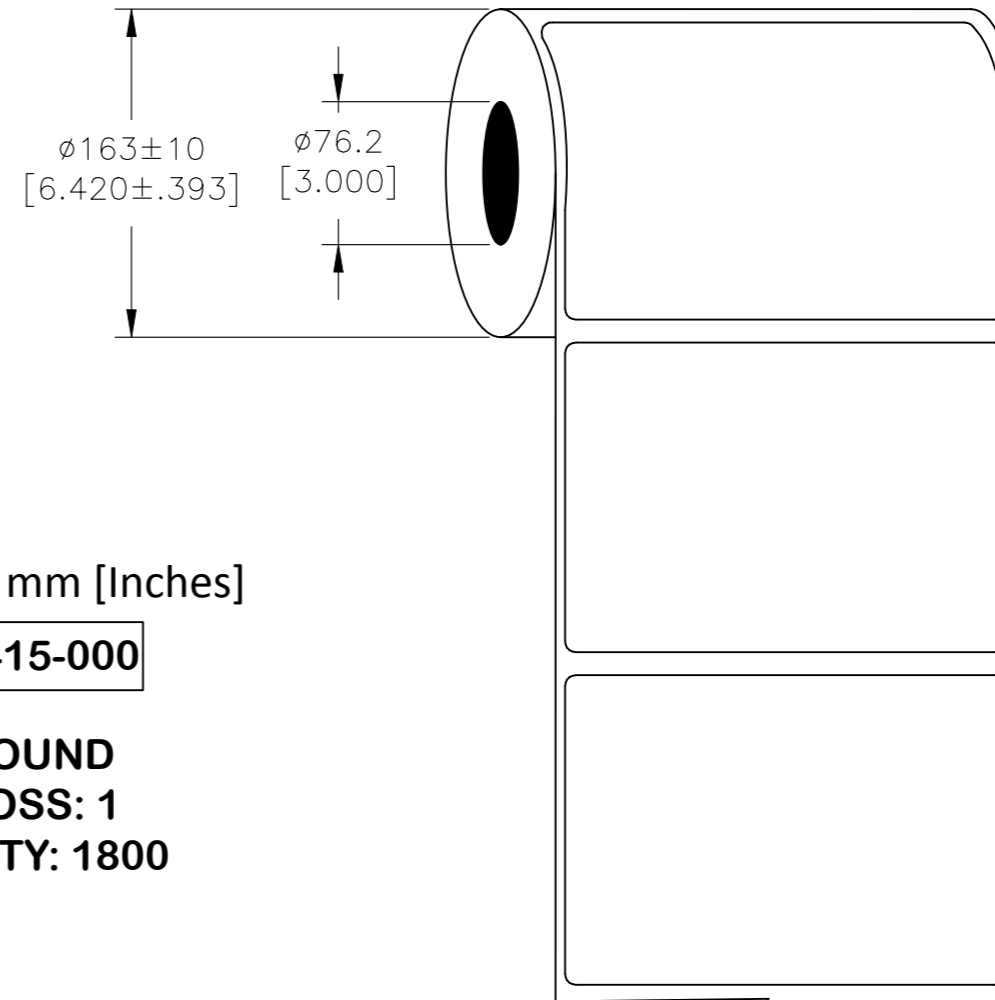


P	LTR	DESCRIPTION	DATE	DWN	APVD
	C	INITIAL RELEASE	12FEB2021	MN	AK

**LABEL AND LINER DESIGN**



**PRESENTATION**



All dimensions in mm [Inches]

**TE PN: CP7415-000**

**OUTSIDE WOUND  
LABEL ACROSS: 1  
PER ROLL QTY: 1800**

<b>MATERIAL</b>	<b>HIGH TACK MATTE METALIZED POLYESTER</b>
<b>ADHESIVE TYPE</b>	<b>PERMANENT</b>
<b>LINER</b>	<b>GLASSINE PAPER</b>

1.6 [.063]

TOLERANCES mm [INCH]	
LABEL HEIGHT:	±0.3 [.012]
LABEL WIDTH:	±0.3 [.012]
WEB WIDTH:	±0.8 [.031]
VERTICAL REPEAT:	±0.8 [.031]*
HORIZONTAL REPEAT:	±0.8 [.031]*
PRINT POSITIONING:	±0.8 [.031]*
LEFT MARGIN:	±0.4 [.016]
QUANTITY:	-0 % +2 %
*NON ACCUMULATING	

THIS DRAWING IS A CONTROLLED DOCUMENT.	
DIMENSIONS: mm [INCHES]	TOLERANCES UNLESS OTHERWISE SPECIFIED:
	0 PLC ± -
	1 PLC ± -
	2 PLC ± -
	3 PLC ± -
	4 PLC ± -
MATERIAL SEE TABLE	FINISH -

DWN	M. NUTTALL	11FEB2021
CHK	A. KEAN	12FEB2021
APVD	A. KEAN	12FEB2021
PRODUCT SPEC	TTDS-118	
APPLICATION SPEC	-	
WEIGHT	1.008g	

TE Connectivity			
NAME HMM - HIGH TACK MATTE METALIZED POLYESTER			
SIZE	CAGE CODE	DRAWING NO	RESTRICTED TO
A3	C2290	C-HMM-101762-1.8-8A	-
CUSTOMER DRAWING		SCALE	SHEET
		NTS	1 OF 1
		REV	C