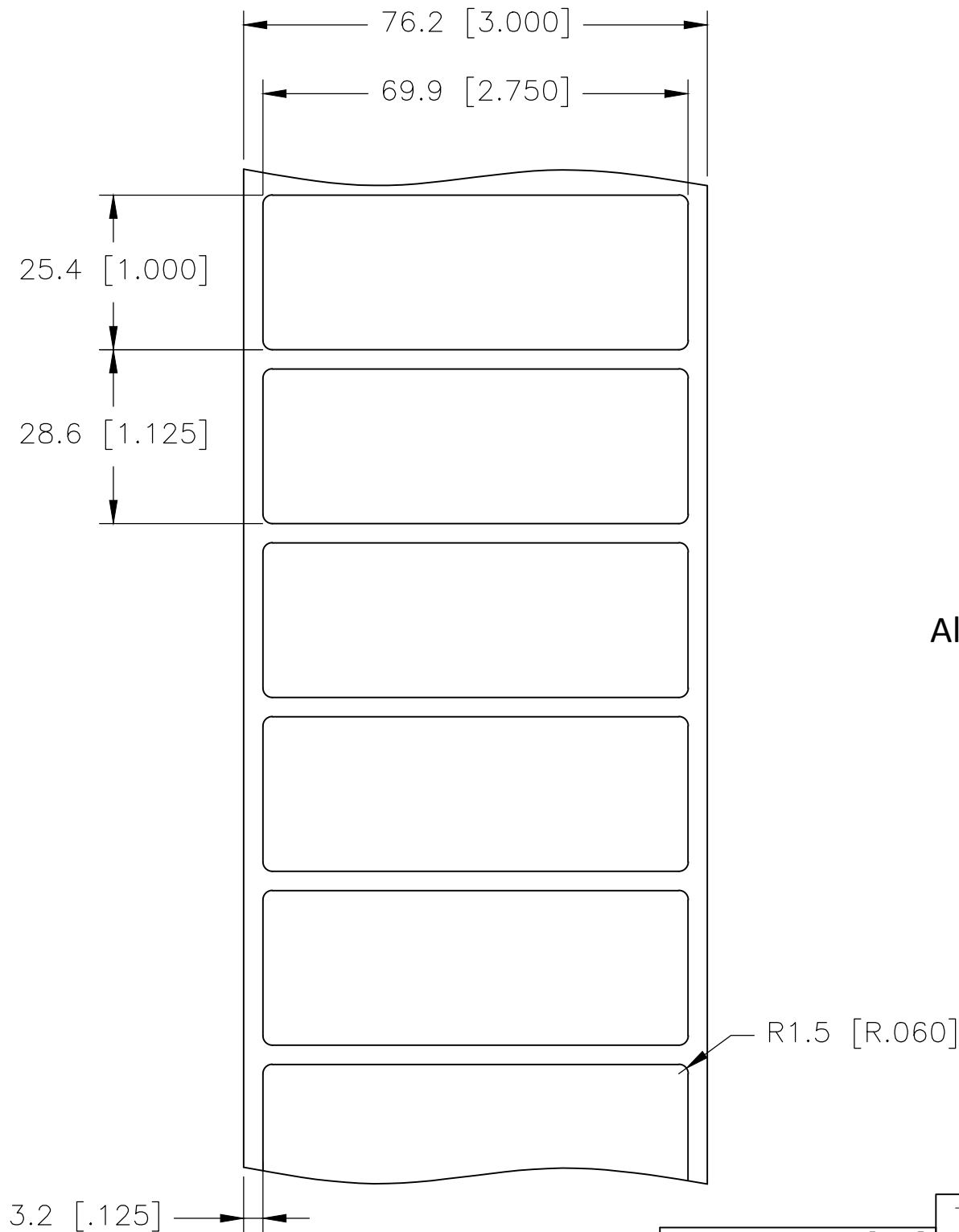
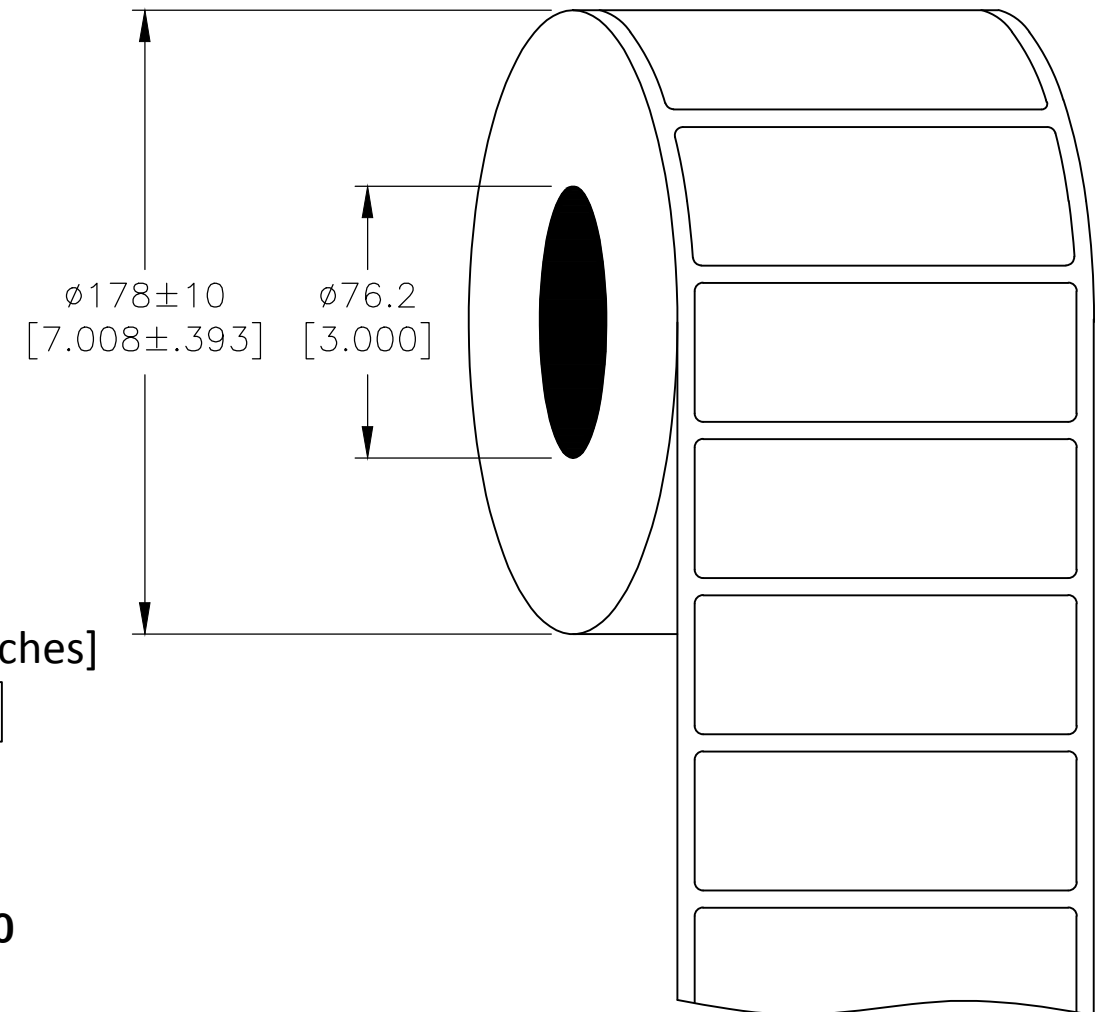


P	LTR	DESCRIPTION	DATE	DWN	APVD
	B	REVISED PER ECR-20-012923	21SEP2020	GK	MN

**LABEL AND LINER DESIGN**



**PRESENTATION**



All dimensions in mm [Inches]

**TE PN: E24103-000**

**OUTSIDE WOUND  
LABEL ACROSS: 1  
PER ROLL QTY: 5000**

<b>MATERIAL</b>	<b>HIGH TACK METALIZED POLYESTER</b>
<b>ADHESIVE TYPE</b>	<b>PERMANENT ACRYLIC</b>
<b>LINER</b>	<b>GLASSINE PAPER</b>

DWN	21SEP2020	<b>STE</b> TE Connectivity	
CHK	21SEP2020		
APVD	21SEP2020	NAME	HM - HIGH TACK METALIZED POLYESTER LABELS
PRODUCT SPEC	TTDS-075	SIZE	A3
APPLICATION SPEC	-	CAGE CODE	C2290
WEIGHT	0.203g	DRAWING NO	C-HM-699254-5-8A
CUSTOMER DRAWING		RESTRICTED TO	-
SCALE		NTS	SHEET 1 OF 1
REV		B	

TOLERANCES mm [INCH]	
LABEL HEIGHT:	$\pm 0.3$ [.012]
LABEL WIDTH:	$\pm 0.3$ [.012]
WEB WIDTH:	$\pm 0.8$ [.031]
VERTICAL REPEAT:	$\pm 0.8$ [.031]*
HORIZONTAL REPEAT:	$\pm 0.8$ [.031]*
PRINT POSITIONING:	$\pm 0.8$ [.031]*
LEFT MARGIN:	$\pm 0.4$ [.016]
QUANTITY:	-0 % +2 %
*NON ACCUMULATING	

THIS DRAWING IS A CONTROLLED DOCUMENT.	
DIMENSIONS: mm [INCHES]	TOLERANCES UNLESS OTHERWISE SPECIFIED:
	0 PLC $\pm -$
	1 PLC $\pm -$
	2 PLC $\pm -$
	3 PLC $\pm -$
MATERIAL	FINISH
SEE TABLE	-