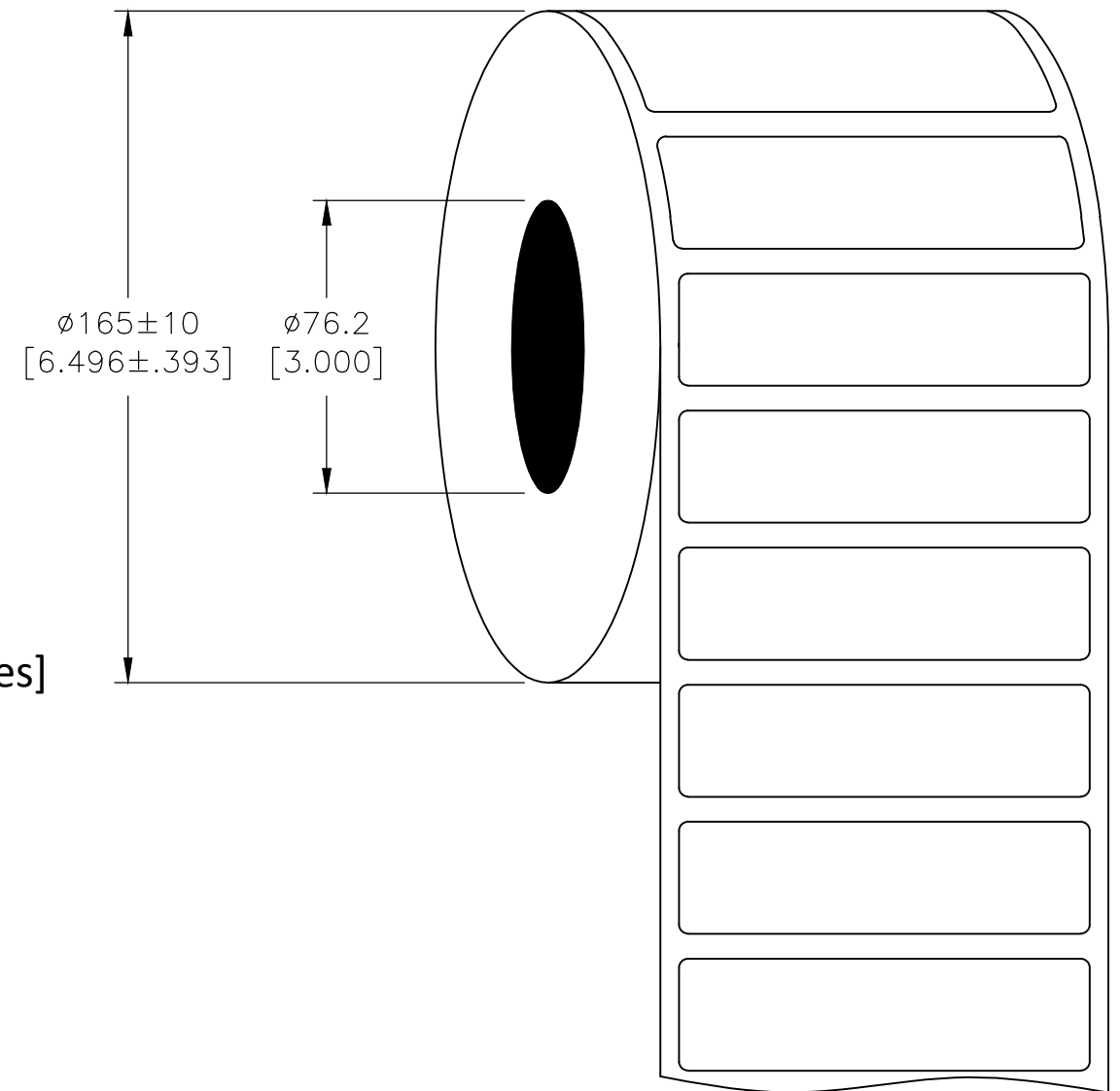
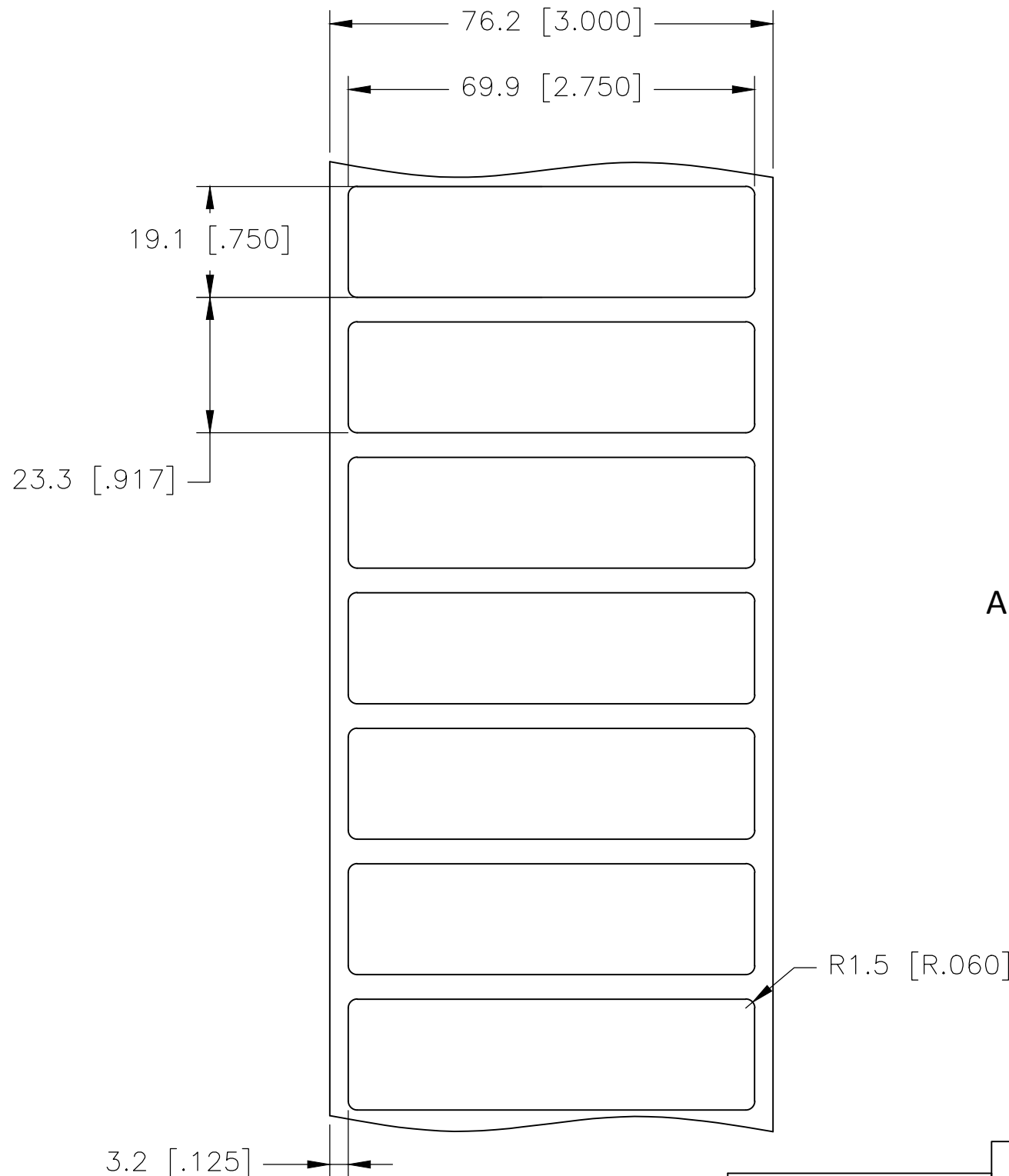


P	LTR	DESCRIPTION	DATE	DWN	APVD
	B	REVISED PER ECR-20-012923	21SEP2020	GK	MN

LABEL AND LINER DESIGN

PRESENTATION



All dimensions in mm [Inches]

TE PN: F37539-000

**OUTSIDE WOUND
LABEL ACROSS: 1
PER ROLL QTY: 5000**

MATERIAL	HIGH TACK METALIZED POLYESTER
ADHESIVE TYPE	PERMANENT ACRYLIC
LINER	GLASSINE PAPER

DWN 21SEP2020 GOPALAKRISHNA HV		STE TE Connectivity	
CHK 21SEP2020 MIKE NUTTALL			
APVD 21SEP2020 MIKE NUTTALL		NAME HM - HIGH TACK METALIZED POLYESTER LABELS	
PRODUCT SPEC TTDS-075		-	
APPLICATION SPEC -		-	
SIZE	CAGE CODE	DRAWING NO	RESTRICTED TO
A3	C2290	G-HM-699191-5-8A	-
WEIGHT 0.153g		SCALE NTS	SHEET 1 OF 1
CUSTOMER DRAWING		REV B	

TOLERANCES mm [INCH]	
LABEL HEIGHT:	±0.3 [.012]
LABEL WIDTH:	±0.3 [.012]
WEB WIDTH:	±0.8 [.031]
VERTICAL REPEAT:	±0.8 [.031]*
HORIZONTAL REPEAT:	±0.8 [.031]*
PRINT POSITIONING:	±0.8 [.031]*
LEFT MARGIN:	±0.4 [.016]
QUANTITY:	-0 % +2 %
*NON ACCUMULATING	

THIS DRAWING IS A CONTROLLED DOCUMENT.	
DIMENSIONS: mm [INCHES]	TOLERANCES UNLESS OTHERWISE SPECIFIED:
	0 PLC ± -
	1 PLC ± -
	2 PLC ± -
	3 PLC ± -
	4 PLC ± -
ANGLES ± -	FINISH -
MATERIAL SEE TABLE	